

# The Blockchain Based Auditor on Secret key Life Cycle in Reconfigurable Platform

Rourab Paul

Computer Science & Engineering,  
Siksha 'O' Anusandhan (Deemed  
to be University), Odisha, India  
rourabpaul@soa.ac.in

Nimisha Ghosh

Computer Science & IT,  
Siksha 'O' Anusandhan (Deemed  
to be University), Odisha, India  
nimishaghosh@soa.ac.in

Amlan Chakrabarti

School of IT,  
University of Calcutta  
Kolkata, India  
achakra12@yahoo.com

Prasant Mahapatra

Dept. of Computer Science  
University of California, USA  
pmohapatra@ucdavis.edu

**Abstract**—The growing sophistication of cyber attacks, vulnerabilities in high computing systems and increasing dependency on cryptography to protect our digital data make it more important to keep secret keys safe and secure. Few major issues on secret keys like incorrect use of keys, inappropriate storage of keys, inadequate protection of keys, insecure movement of keys, lack of audit logging, insider threats and non-destruction of keys can compromise the whole security system dangerously. In this article, we have proposed and implemented an isolated secret key memory which can log life cycle of secret keys cryptographically using blockchain (BC) technology. We have also implemented a special custom bus interconnect which receives custom crypto instruction from Processing Element (PE). During the execution of crypto instructions, the architecture assures that secret key will never come in the processor area and the movement of secret keys to various crypto core is recored cryptographically after the proper authentication process controlled by proposed hardware based BC. To the best of our knowledge, this is the first work which uses blockchain based solution to address the issues of the life cycle of the secret keys in hardware platform. The additional cost of resource usage and timing complexity we spent to implement the proposed idea is very nominal. We have used Xilinx Vivado EDA tool and Artix 7 FPGA board.

**Index Terms**—Blockchain, FPGA, Key Memory, Secret Key Life Cycle

## I. INTRODUCTION

The security of a crypto system depends on three primary keys. **Symmetric Key**: is used to encrypt bulk data in symmetric key algorithms like AES, TDES, DES etc. **Private Keys**: of public-private key pair used in Asymmetric Key Cryptography such as RSA, Diffie Helmen etc. Private key is used for signature generation and key exchange process. **Hash Key**: is used to check integrity and authenticity of transactions and data with algorithms like SHA-3. Increasing volume of secret key and data protected by those keys makes the cryptographic key management relevant in current research trend [1]. There are several threats causes compromised key. In this article we have discussed about few major threats.

### A. Storage

In many sense, processor based architectures are flexible but it can be exposed to software threats like cache attack[2], bus snooping [3], memory disclosure attack [4] etc. hence the storage of secret keys should be separated form software area and it should be isolated from any physical connection of processor.

### B. Insecure Movement

A security processor allows key movements between several cores like Key Memory, RNG, Hash, Symmetric Key and Asymmetric Key core. All these key movement to the key memory and from the key memory should be authenticated and secured. These transactions of key mainly suffers two issues. **A** The buses used for these movements can be snooped by software attacks. **B** The request of key can be issued from some compromised IP placed inside the architecture. To overcome attack-A the most effective solutions are bus encryption [3], or partition of software area from these buses [5]. Attack-B can be prevented by verifying the signature of the requestee IP. To the best of our knowledge we did not find any similar solution in hardware platform.

### C. Non-destruction

Once the signature of requestee IP is verified, the key should be released to the proper destination. Except the pre-master key, other keys should be destroyed securely. This removal of key should be logged cryptographically and should non-traceable.

### D. Audit Logging

The secret keys of a security processor is the most sensitive data. The creation, deletion and the movement of secret key should be logged and audited cryptographically otherwise it will be difficult to identify a compromise for forensic investigation.

### E. Incorrect use of keys

The generated master keys are for specific purposes. Hash core can not use encryption key and vice versa. If the keys are used for something else, the proper protection action should be taken. The main contribution of this article are stated below:

- This article proposes a security processor architecture which is partitioned in three separated areas such as processor area, crypto area, and confidential area. This architecture assures that secret key memory is isolated form processor area.
- The architecture proposes a blockchain based auditor to monitor secret key lifecycles. The architecture prevents insecure movement, unauthorized key request, non-destruction issued and incorrect use of keys.

- The proposed security processor can execute 21 custom crypto instructions as shown in Table II.

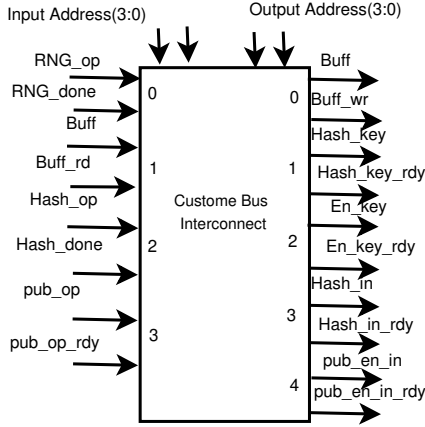


Fig. 1: Custom Bus Interconnect

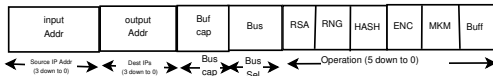


Fig. 2: Control Word Register  
II. ARCHITECTURE

In this architecture we have partitioned three areas such as (i) processor area, (ii) crypto area and (iii) confidential area. The whole architectural details is stated in [6]. The partitioned and isolated confidential area to store secret keys assures that the secret key never come in the processor area because the processor area is very much vulnerable for various software threats. The main contribution of the proposed article is to add a special private blockchain to audit the movement of secret keys. Each secret key movement is authenticated and registered cryptographically. To adopt blockchain, we have designed the *data path controller* (DPC), *custom bus interconnect* (CBI), *buffer* and a *Signature Checker* (SC) core. The architecture can execute 21 crypto instructions divided in 5 categories as shown in Table II. All these proposed instructions are executed by DPC and CBI. As instructed by the TLS white paper [7], the architecture processes instructions for *pre – master key generation*, *master key generation*, *hash* and *encryption* process. For the proposed blockchain process we have created a new category named as *common purpose*. The details of other instructions are not described because of page restriction. It is to be noted that blockchain data is written in main memory which can be accessed by the PE.

### A. Custom Bus Interconnect

The proposed *custom bus interconnect* (CBI) is a junction through which various crypto cores and the *buffer* which is created as gateway of *Master Key Memory* (MKM) can communicate. Various paths of *crypto cores* and *buffer* are controlled by 4 bits input and 4 bit output addresses. Input-output address pins are controlled by *data path controller* (DPC) IP. In our current version of design, we have 4 inputs coming from *buffer*, output of *hash*, output of *RNG* and output of *RSA*. The 5 outputs of CBI are connected with

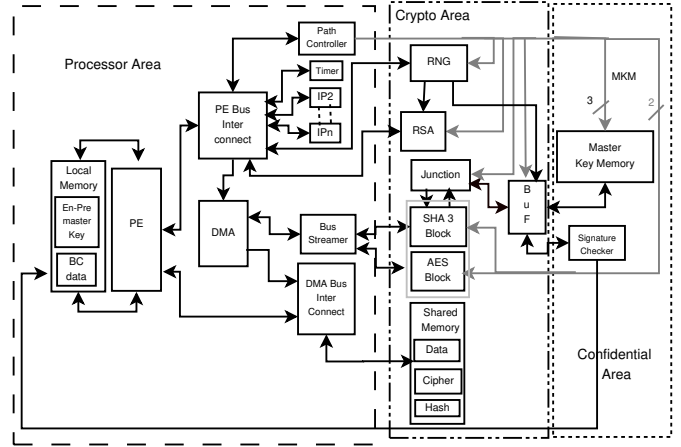


Fig. 3: System Architecture

*buffer*, key of *AES*, key of *hash* and key of *RSA* block. The synchronization signals of input cores and output cores are also taken care of by CBI. The fig. 1 shows the synchronization signals such as *RNG\_done*, *Buff\_rd*, *Hash\_done*, *Buff\_rdy*, *Hash\_key\_rdy* and *En\_key\_rdy*. The CBI is combination of MUX and DE-MUX where MUX's output is connected with DEMUX's input. The input address and output address pins are the selecting inputs of MUX and DE-MUX respectively.

### B. Data Path Controller

The proposed *data path controller* (DPC) is a slave IP of PE. The PE can send 21 instructions by Application Peripheral Interface (API) call for various crypto operations of TLS protocol. The *data path controller* maintains a control word register to execute the 21 instructions as shown in Table II. The PE can communicate DPC by AXI bus through *PE bus interconnect*. In the current version of hardware, DPC has 16 bits control word to control various crypto cores placed in the crypto area. The data path and binaries for all proposed instructions are shown in II. As shown in fig. 2, the 11th bit is set to logic 1 to enable the *custom bus interconnect*, otherwise it will be logic 0 to disable the said interconnect. The 16th to 13th bits are used to select the input address. If the *input address* is 0000, *RNG* will be selected. It will be 0001, 0010 and 0011 to select *Buff*, *Hash* and *PubEn* core respectively. The 12th and 9th bit is to address outputs. The *output address* will be 0000, 0001, 0010, 0011 and 0100 to select the *Buff*, *Hash\_Key*, *En\_key*, *Hash\_In* and *Pub\_en\_in* core. The 6th to 1st bit of *control word register* (CWR) are used to enable different hardware blocks such as *RSA*, *RNG*, *Hash*, *Enc*, *MKM* and *Buff*. The PE directly can write to CWR to control the data path of the hardwares placed in the *crypto area*.

### C. Buffer

The proposed *buffer* is a gateway to write or read keys to the *MKM*. This buffer can accommodate *data*, *timestamp* from *timer* IP, *pre – hash* from *Signature Checker*, read/write operation, *signature* of data and the system status. The

TABLE I: Comparison Results

#	key storage	Incorrect use	Insecure movement	Destruction	Audit log
Proposed	key memory	×	×	×	✓
[5] 2011	key memory	✓	✓	✓	×
[8] 2010	key memory	✓	✓	✓	×
[6] 2018	key memory	✓	✓	✓	×
[9] 2019	main memory	✓	✓	×	✓
[3] 2009	main memory	✓	×	✓	×
[2] 2015	cache memory	×	✓	✓	×
[10] 2007	main memory	✓	✓	✓	×

✓=possible, ×=not possible

system status comes from the enable ports and *ready* ports of all the existing IPs including crypto cores. Instruction-1 writes 384 bit random number from *RNG* to the data portion of *Buffer*. Similarly instruction 9, 17 and 18 can write 512 bit data from KECCAK and 1024 bits from RSA respectively.

#### D. Signature Checker

The *Signature Checker* (SC) consists two main parts such as KECCAK hash and RSA block to verify signature of the IPs requested to read or write to *MKM*. This IP receives the signature from *buffer*. The signature is the encrypted hash of data. The *SC* first decrypt it by the RSA block with the public key of requestee IP. The requestee IP is addressed by the source IP address available in *CWR*. After that *SC* gets the hash of data. The data is already available in the *buffer*. If the hash of *buffer* data is matched with the decrypted data by RSA then the requested transaction will be granted by *SC*.

### III. IMPLEMENTATION & RESULTS

The proposed architecture is implemented in Artix-7 (csg324-100t)FPGA using Vivado Tool. The additional hardwares added to the original architecture to protect the keys form major threats as stated in Table I are *SC*, *buffer* and the *CBI*. The signature checker consist of a KECCAK and RSA-1024 which cost 4188 and 31008 slices respectively. The base architecture without blockchain consumes 50k logic cells. The architecture with blockchain to protect severe key threats consumes 95k logic cells which is around 45% of the total logic cells available in Artix-7 FPGA. As shown in Table I articles [5], [8] and [6] proposed dedicated secret key memories which are completely isolated from processor area to prevent software threats but this architecture does not prevent incorrect use, insecure movement and non-destructions issues of keys. If any spoofing IPs or dishonest probes already exist inside the architectures of [5], [8] and [6] and try to read secret key stored in dedicated key memory, the system will allow the key transaction to those malicious nodes. Though the dedicated key memories proposed in these article are physically isolated but can not prevent said incorrect and insecure movement of secret keys. Articles [5], [8] and [6] do not have any facility to investigate the key movement and

TABLE II: Instructions Implemented in Proposed Architecture

#	Instruction	Flow	Function	CWR (hex)	Bus Inter Connect	
Pre Master by RNG	1	PE Send Re-Seed	PE to RNG	Send new seed to RNG from PE. RNG needs seed to generate rand. no. Enable RNG to Generate Random Number, and write RND in data portion of Buffer	0010	AXI
	2	Gen RND	RNG to Buff	Block Generation for Write Operation on MKM from RNG. Buff reads, <i>timestamp</i> from <i>timer IP</i> , <i>prehash</i> from <i>Signature Checker</i> , write operation the system status, source & dest. IP ID	0050	Custom
	3	RNG Write Block Gen Re-Key	to Buff	PE writes pub key of server to RSA	0091	Custom
	4	RSA	PE to RSA	PE sends server random number and client random number to Hash by DMA	0020	AXI
	5	PE Get En-RNG	RSA to PE	Encrypt RND using server pub key	XXXX	AXI
Master Key	6	PE Send Rands in Hash	PE to Hash by DMA	Block Generation for Read Operation from MKM by Hash. Buff reads, <i>timestamp</i> from <i>timer IP</i> , <i>prehash</i> from <i>Signature Checker</i> , read operation, the system status, source & dest. IP ID	XXXX	AXI
	7	Hash Read Block Gen Get M-Key	to Buff	read master key to generate four keys	11C1	Custom
	8	Hash	Buff to Hash	Write keys to Buff	1149	Custom
	9	Gen Keys	Hash to Buff	Block Generation for write Operation to MKM	2049	Custom
Encryption	10	Hash Write Block Gen	Hash to Buff	Block Generation for Read Operation from MKM by En. Buff reads, <i>timestamp</i> from <i>timer IP</i> , <i>prehash</i> from <i>Signature Checker</i> , read operation, the system status, source & dest. IP ID	20C9	Custom
	11	En Read Block Gen	to Buff	Read En. key from buffer	12C1	Custom
	12	Get EN Key from Buff	Buff to En	AES block reads plaintext form SM & write cypher to SM using DMA	1245	DMA
Hash	13	GEN EN	Shared to Shared	Same as Instruction 7	XXXX	Custom
	14	Hash Read Block Gen Get Key	to Buff	Same as Instruction 8	11C1	Custom
	15	Hash	Buff to Hash	KECCAK block reads plaintext form SM & write digest to SM using DMA	1149	Custom
	16	GEN Hash	Shared to Shared	1st step of signature: load Buff data to Hash input	XXX	DMA
Signature	17	Hash of Buff	load Buff to Hash	2nd step of signature: load hash output to buffer	1341	Custom
	18	Hash to Buff	Hash Op to Buff	3rd step of signature: load buffer in PubEn input	2049	Custom
	19	PubEn of Buff	Buff to PubEn	4th step of signature: load encrypted data of PubEn to buffer which is the signature of buffer data in 1st step if signature matched	1461	Custom
	20	PubEn to Buff	Output of public key encrypted data to buffer	buffer data sent to MKM	3061	Custom
	21	Verify Sig	Buff to MKM		1XX3	Custom

to prevent non-destruction issue. Amazon Web Server [9] is one of the most recent software based key management architecture which can audit and investigate tracking of secret keys, but it cannot prevent the insecure movement and incorrect use of key. It does not have any signature checking facility on the key request. In our architecture we have introduced dedicated secret key memory which is physically isolated from processor area. Any read write operation on this secret key memory named as *Master Key Memory* (MKM) is blockchain based. We have observed the usual operations on MKM are related with *RNG*, *HASH*, and *AES* block. The *Public* and *Private* keys of all these crypto IPs are already generated in offline by an automatic script during the RTL development. The *pre master key* is generated by *RNG* which needs to be written in *MKM* through buffer as shown in Table II instructions 2, 3, and 17 to 21. Instruction 2 writes random number generated by *RNG* into buffer. The buffer also stores the public keys of *RNG* (Source IP) and *MKM* (Destination). The buffer includes timestamp form *TIMER* IP, and stores all the current status of *Done* and *Enable* pin of available IPs in the proposed design. The instructions 17 to 21 generate signature of the write operation on *MKM* by *RNG*.

TABLE III: Summary of Trade-off

	Partition Memory	Path Controller	SC		Base Design
			RSA	KECCAK	
Slice	0	76	31008	4188	50223
BRAM	7.5	0	0	0	32
Clock	2	2	3048	24	NA
latency	20 ns	10 ns	86us	67.2 ns	NA
Feature / role	prevent SW attacks	control crypto instructions	prevent insecure movement & incorrect use of keys; audit log		implements basic hw for security processor

NA=Base design consists of different hardware having different latency & clock

This signature will also be stored in *buffer*. This signature will be verified by the *Signature Checker* IP placed inside *Confidential Area* as stated in fig.3. If the signature is matched then the *pre master key* generated by *RNG* will be written in *MKM*, otherwise the transaction will be discarded from the *buffer*. The other read write requests on *MKM* are (ii)read *pre master key* by *HASHt* to generate *master key* (Instruction 7 and 8)(ii)write *masterkeys* in *MKM* (Instruction 9 and 10). (iii)read *master key* form *MKM* by *hash* (Instruction 14 and 15)and (iv) read *master key* form *MKM* by *AES* (Instruction 11 and 13). All these read write operations follows Instruction 17 and 21 for authentic checking of the requestee. The verification process of *signature checker* IP using the *buffer* data with system status, timestamp, signature and the *pre hash* prevents incorrect use and insecure movement of keys. The *MKM* also delete the keys which are already read to address non-destruction issue. The partitioned memory for secret keys prevents software attacks. The timing diagram of instruction 17, 18 and 19, 20 is shown in fig. 4 and fig. 5 respectively. Table III shows the trade off of latency and resource usage with security features.

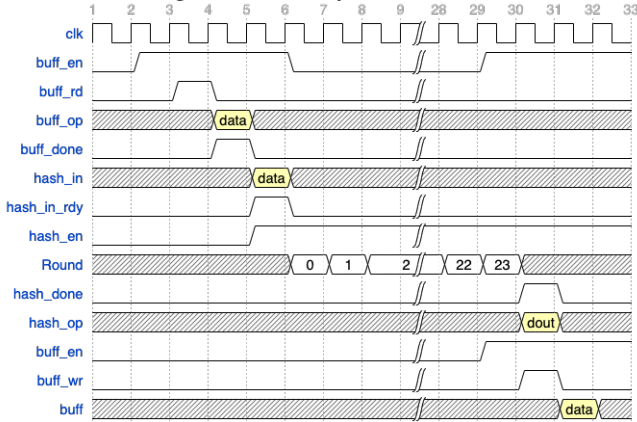


Fig. 4: Timing Overhead of Instruction 17 & 18

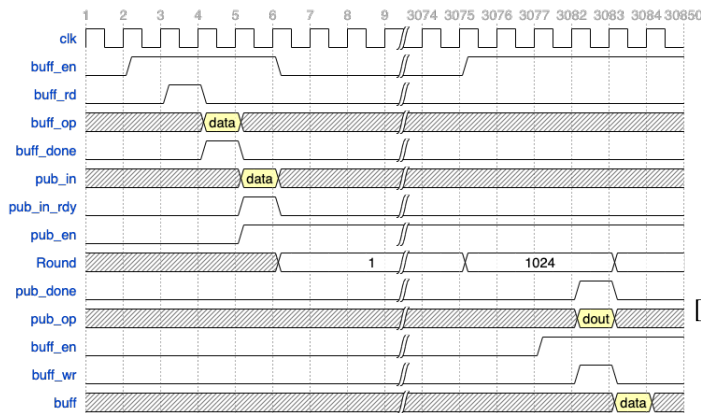


Fig. 5: Timing Overhead of Instruction 19 & 20

## IV. CONCLUSIONS

This article proposes a hardware blockchain with a partitioned and dedicated secret key memory which prevents most of the software attacks, insecure key movement, incorrect use, non-destruction use secret key. Apart from this, if breach of keys occurs in the system, the hardware blockchain can investigate previous key transactions. To the best of our knowledge, the FPGA based blockchain to prevent threats stated in Table I is never explored. The additional hardware adopted for blockchain is very nominal in-terms of resource usage and throughput.

## REFERENCES

- [1] Cryptomathic White Paper Rob Stubbs. Selecting the right key management system. *Workshop COSADE*, pages –, Feb 2019.
- [2] Patrick Simmons. Security through amnesia: A software-based solution to the cold boot attack on disk encryption. In *Proceedings of the 27th Annual Computer Security Applications Conference, ACSAC '11*, pages 73–82, New York, NY, USA, 2011. ACM.
- [3] X. Chen, R. P. Dick, and A. Choudhary. Operating system controlled processor-memory bus encryption. In *2008 Design, Automation and Test in Europe*, pages 1154–1159, March 2008.
- [4] L. Guan, J. Lin, B. Luo, J. Jing, and J. Wang. Protecting private keys against memory disclosure attacks using hardware transactional memory. In *2015 IEEE Symposium on Security and Privacy*, pages 3–19, May 2015.
- [5] Michael Grand, Lilian Bossuet, Bertrand Le Gal, Guy Gogniat, and Dominique Dallet. Design and implementation of a multi-core crypto-processor for software defined radios. In *Reconfigurable Computing: Architectures, Tools and Applications - 7th International Symposium, ARC 2011, Belfast, UK, March 23-25, 2011. Proceedings*, pages 29–40, 2011.
- [6] Rourab Paul. Partitioned security processor architecture on fpga platform. *IET Computers and Digital Techniques*, 12:216–226(10), September 2018.
- [7] E. Rescorla T. Dierks. The transport layer security (tls) protocol version 1.2. 2008.
- [8] L. Gaspar, V. Fischer, F. Bernard, L. Bossuet, and P. Cotret. Hcrypt: A novel concept of crypto-processor with secured key management. In *2010 International Conference on Reconfigurable Computing and FPGAs*, pages 280–285, Dec 2010.
- [9] Assaf Namer Maitreya Ranganath. How to use aws secrets manager to securely store and rotate ssh key pairs. *Advanced (300), AWS Secrets Manager, Security, Identity, and Compliance*, 18 Sept, 2019.
- [10] K. Harrison and S. Xu. Protecting cryptographic keys from memory disclosure attacks. In *37th Annual IEEE/IFIP International Conference on Dependable Systems and Networks (DSN'07)*, pages 137–143, 2007.