
Towards Neural Programming Interfaces

Zachary C. Brown

Electrical and Computer Engineering
Duke University
Durham, NC 27708
zac.brown@duke.edu

Nathaniel Robinson

Department of Computer Science
Brigham Young University
Provo, UT 84602
nrobinson@byu.edu

David Wingate

Department of Computer Science
Brigham Young University
Provo, UT 84602
wingated@cs.byu.edu

Nancy Fulda

Department of Computer Science
Brigham Young University
Provo, UT 84602
nfulda@cs.byu.edu

Abstract

It is notoriously difficult to control the behavior of artificial neural networks such as generative neural language models. We recast the problem of controlling natural language generation as that of learning to interface with a pretrained language model, just as Application Programming Interfaces (APIs) control the behavior of programs by altering hyperparameters. In this new paradigm, a specialized neural network (called a Neural Programming Interface or NPI) learns to interface with a pretrained language model by manipulating the hidden activations of the pretrained model to produce desired outputs. Importantly, no permanent changes are made to the weights of the original model, allowing us to re-purpose pretrained models for new tasks without overwriting any aspect of the language model. We also contribute a new data set construction algorithm and GAN-inspired loss function that allows us to train NPI models to control outputs of autoregressive transformers. In experiments against other state-of-the-art approaches, we demonstrate the efficacy of our methods using OpenAI’s GPT-2 model, successfully controlling noun selection, topic aversion, offensive speech filtering, and other aspects of language while largely maintaining the controlled model’s fluency under deterministic settings.

1 Introduction

Researchers’ ability to automate natural language processing has grown exponentially over the past few years, particularly with the advent of the Transformer architecture [1]. Despite the fact that recent machine learning methods achieve impressive and almost human-level performance on tasks such as dialogue modeling [2, 3, 4] and natural language generation [5, 6, 7], many intelligent voice assistants still rely on rule-based architectures and cached responses in open domain dialogue [8, 9, 10]. This is primarily due to the lack of controls in deep learning architectures for producing specific phrases, tones, or topics, which makes these models inherently unpredictable and therefore too risky for most entities - corporate or otherwise - who wish to deploy public-facing intelligent agents. For example, it is often desirable for a conversational agent to maintain a specific identity (comprised of a name, set of opinions, etc.) throughout an exchange of dialogue and it is currently impossible to condition deep learning algorithms to maintain a coherent identity across dialogue without training them on highly specialized (and, by extension, biased and limited) data sets. Fine-tuning on these specialized data sets comes with an additional, significant cost: it can lead to catastrophic forgetting of the language model [11]. Despite this aspect of fine-tuning, current state-of-the-art methods [12, 2]

require fine-tuning [13] of the entire network when their original data set proves unsuitable for a given task (such as discussing a recent development in the news), even if the language being modeled is the same across tasks. Furthermore, models produced by current methods are almost entirely uninterpretable and therefore generally difficult to test for egregious failure cases.

In this paper¹, we address both the issue of content control as well as that of catastrophic forgetting induced by fine-tuning. We define ‘content control’ as being able to command a network to either incorporate or eschew an exact word, phrase, topic, style, or sentiment in its output, and therefore attempt a more granular level of control than the purely topic/style-level control that has been published in recent literature [12, 2]. We also introduce an alternative to fine-tuning neural language models and demonstrate through experimentation that the high-cost of overwriting model weights through fine-tuning (and thereby reducing model generalizability in favor of a specific sub-task) often fails to induce the desired behavior in generalized settings. Instead, we recast the problem of control in natural language generation as one of combining separate models - one of the natural language itself and one of high-level command responses - to produce desired linguistic output. In doing so, we develop a framework for interpreting and subsequently controlling the hidden activations of a pretrained neural network without any adjustments being made to the pretrained model. This framework is biologically consistent with the findings of Knutson et al., who discovered that neural pathways in humans are inhibited by other neuron clusters [14], and has applications to other neural network architectures and questions outside the domain of controllable text generation.

2 Related Work

Recently, several publications in controllable natural language generation have reported impressive results. Particularly interesting is the approach taken by Plug and Play Language Models (PPLM) [15], which bears significant resemblance to our own despite the two approaches having been developed completely independently (we were only made aware of the PPLM method during the review process for this paper). Our work differs from PPLM in multiple ways, foremost among them being our distinct uses of neural networks to produce perturbations in the pretrained model. Rather than using summed discriminator gradients to produce perturbations as with PPLM’s attribute models, we train a neural network (the NPI network) to produce perturbations adversarially against a discriminator; this makes our approach compatible with arbitrary discriminator algorithms, including any which may not provide gradients to the perturbation model (i.e. the NPI) during training (see Section 3.1.2). Our novel approach also enables us to avoid adopting a greedy approach to textual control (see the beginning of Section 3.1), whereas the PPLM paper is focused primarily on greedy control. The differences in our methodology carry over to our data sets, where our novel data curation approach (see Section 3.1.1) does not require pre-labeled text data exemplifying target behavior and which could be generalized to non-textual inputs (such as random samples from a Gaussian distribution). In Section 4 we present experimental results comparing the NPI and PPLM approaches which demonstrate the relative strengths of both algorithms.

The work regarding the CTRL [12], Meena [2], and GPT-3 [16] neural networks also demonstrates significant progress in controllable natural language generation, however, these projects represent single neural networks that model both natural language as well as input commands simultaneously. Our work differs from CTRL [12] and Meena [2] in that we seek to (a) achieve content control and (b) separate the language model from the control model to avoid fine-tuning the language model. The recently published GPT-3 [16] language model is capable of learning new linguistic modeling tasks without any fine-tuning, but, as the authors state in their paper, it is a predictive model and therefore not ideal for goal-oriented text generation.

While there has been work which suggests neural architectures can learn to multi-task [17, 18], multi-tasking networks are typically trained to model various highly-correlated tasks (our own approach models a sequence of controls in parallel, similar to work by Feng Jin & Shiliang Sun [18]). We argue that modeling natural language and responding to high-level commands are two fundamentally different tasks, and that a neural network can therefore not optimally model both tasks, as suggested by the “No Free Lunch” (NFL) theorems by Wolpert & Macready [19]. Rather than model these tasks jointly, our proposed method of targeted text generation makes no permanent changes to a pretrained language model - which is assumed to be an (approximately) optimal model of natural language - and

¹Code available at <https://github.com/DRAGNLabs/towards-neural-programming-interfaces>

instead leverages an additional neural network (an NPI) trained on a separate objective to manipulate the inner workings of the pretrained language model in response to high-level commands.

We focus our experiments on controlling the output of the autoregressive GPT-2 language model [6], though other autoregressive transformers such as Transformer-XL [5], XLNet [7], and GPT-3 [16] could theoretically be controlled in a similar manner, and we propose further research be done into controlling these models. We use several variations on vanilla feed-forward neural network architectures [20] in various capacities, as well as an adversarial GAN-style setup [21], for training our NPI network. The NPI loss function was inspired by the Style-Transfer loss function introduced by Gatys, Ecker, & Bethge [22]. Much of our code was adapted from the Hugging Face Transformers GitHub repository [23] and is available online (see Footnote 1).

Our methodology, which seeks to alter the functionality of pretrained networks, has significant crossover with adversarial attacks on neural networks [24]. Our work differs from that of adversarial perturbations of seq-2-seq models [25] in that we formulate our Style-Transfer loss function such that it encourages the perturbed outputs to be as close to the original outputs as possible while still introducing the desired content, whereas related work does not incorporate this condition [25].

3 Neural Programming Interfaces (NPIs)

We define an NPI network $X : H_{in} \rightarrow D_{out}$ as a mapping from a subset of hidden layer activations H_{in} of a pre-trained model P to a set of activation perturbation values D_{out} which can be element-wise added to hidden states of the pretrained model during a forward pass to produce desired output.

Given an input T_{in} and a pretrained model $P : T_{in} \rightarrow \{T_{out}, H = \{h_i\}_{i=1}^n\}$ which produces output T_{out} and n hidden layer activations H , we first collect $m \leq n$ hidden layer activations from H , yielding $H_{in} \subseteq H$; we index these by $I_{in} = \{i|h_i \in H_{in}\}$ and refer to them as ‘input controls’. We then generate m corresponding control perturbations

$$X(H_{in}) = D_{out} = \{d_{l,i}\}_{l=1,i \in I_{in}}^m \tag{1}$$

where $1 \leq l \leq m$ is the l -th index into the set of control perturbations D_{out} and $i \in I_{in}$ is the index of the hidden layer activation where the control perturbation $d_{l,i}$ will be added (element-wise) during a second forward pass of the network P , producing the perturbed (i.e. controlled) hidden layer activation $c_{l,i}$. Once D_{out} is generated, we generate controlled output and hidden layer activations

$$P'(T_{in}) = P(T_{in}|D_{out}) = \{T_{out}^D, H'\} \tag{2}$$

where P' represents the pretrained network with $d_{l,i} \in D_{out}$ added to the appropriate hidden layer activations. In summary, the NPI network X learns to adjust the hidden layer activations H_{in} using perturbations D_{out} such that they produce a desirable output T_{out}^D - please see Algorithm 1 of Appendix 1 as well as Figure 1 of this paper for further illustration.

3.1 NPIs for Controllable Natural Language Generation

We seek to control the output of OpenAI’s GPT-2 [6] while still making full use of the GPT-2’s internal models of language, which produce a single token T_{out} for each input T_{in} , with T_{out} encoding for anything from an entire word to white-space characters. Without changing the weights of the GPT-2, we aim to use an NPI to guide its outputs either toward or away from the use of targeted content.

Though it seems natural to control the GPT-2 at every forward pass of the network - and there are existing methods which achieve an impressive level of success at doing this [15] - this approach makes it difficult to perform topical control (and even word-level control for multi-token words). This is due partly to the difficulties of classifying a single token as belonging to a particular multi-token word, let alone to a conversation topic. Since part of our goal involves skewing the GPT-2 output towards the use of specific phrases, exercising control on every forward pass could result in the GPT-2 repeating only those tokens as a greedy solution. In our approach we simultaneously control entire sequences $S = (H_{in,x})_{x=1}^w$ (where w denotes the length of the sequence context window) of GPT-2 hidden layer control sequences $H_{in,x}$ via corresponding sequences of perturbations D_{out} in order to provide context and give full expression to GPT-2’s linguistic model.

To accomplish this, we produced multiple data sets of sequences of GPT-2 hidden layer activations associated with sequences of output tokens; the NPI was then trained to process a concatenation S

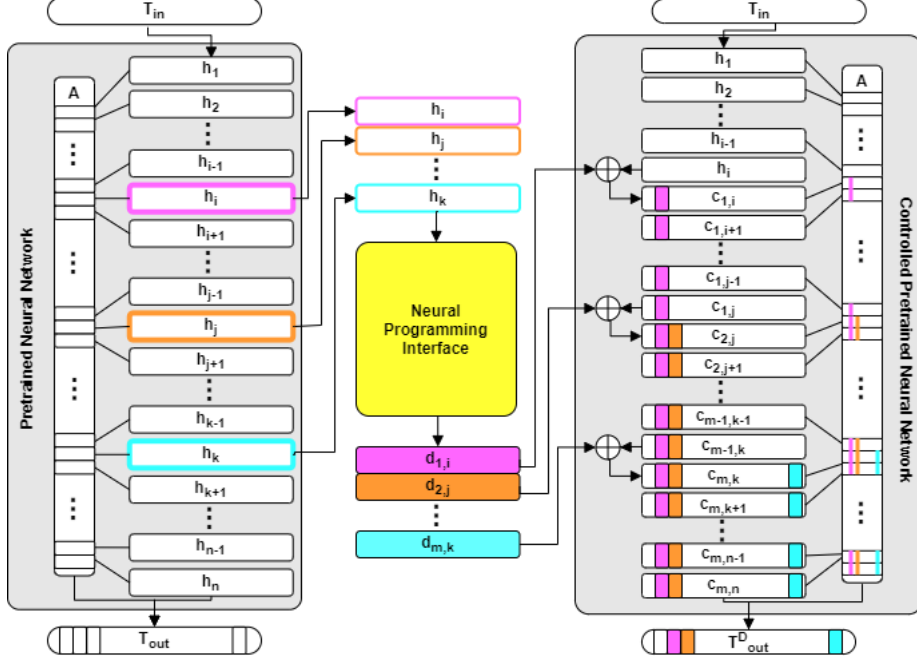


Figure 1: Our approach to controlling a fully aggregated pretrained neural network P (See Section 3). The influence of the Neural Programming Interface (NPI) in the controlled version of P is represented by the presence of boxes and lines not found in the original version of P . Input T_{in} is passed through P , generating n hidden layer activations $H = \{h_i\}_{i=1}^n$ and output T_{out} (left). Given $m \leq n$ input controls H_{in} , the NPI generates m control perturbations $D_{out} = \{d_{l,i}\}_{l=1, i \in I_{in}}^m$ (middle) which are added to the hidden layer activations whose indices are in I_{in} when T_{in} is again passed through P (right). Changes made by each $d_{l,i}$ propagate down-stream through the network via the nature of element-wise addition \oplus and aggregation mechanisms A , resulting in altered hidden layer activations for all subsequent layers $c_{l,i+q} \in H^l$ where $1 \leq q \leq n - i$ (right). The newly generated output T_{out}^D represents T_{out} conditioned on D_{out} .

of multiple sequences $H_{in,x}$ of input controls simultaneously and produce an associated sequence of control perturbations for iterative forward passes of the GPT-2 network (see Figure 2 for an illustration). Note this is a modified application of the NPI structure described previously. Note also that since the NPI perturbations in early forward passes may cause drastic changes in the hidden states in later forward passes, this requires the NPI to learn how to anticipate in some capacity what tokens the GPT-2 will begin to produce after initial perturbations.

3.1.1 Data Set Generation

We generated our data sets by performing hundreds of thousands of GPT-2 forward passes using input text extracted from a Wikipedia corpus [26], Reddit corpus [27], and Toronto BookCorpus [28]. Sample text was fed into the GPT-2 model, which was permitted to generate tokens for a maximum number of iterations. We allowed GPT-2 to produce tokens $T_{out,j}$ in a fixed window size w around the instance of the target quality (e.g. the appearance of a target word in the output text). Because converting language model activations into text is non-differentiable, we constructed data sets that consisted of GPT-2 activation patterns that proved to produce the target text behavior, rather than merely the sampled text itself. We collected hidden states from $m = 2$ of the GPT-2 layers for each forward pass (each pass corresponding to an output token in the context window $T_{out,j}$), for a total of $m * w = 2w$ total hidden activations per data point. We also collected the text tokens used as input $T_{in,j}$ for the first of the w forward passes that produced the output text, as well as the assigned text quality label $L_j \in \{0, 1\}$ (where 1 corresponds to the target behavior), which was assigned using simple metrics - such as word presence or absence - operating on $T_{out,j}$.

More formally, each data set had the final form $Q = \{q_j\}_{j=1}^{N_Q} = \{(S_j, L_j, T_{in,j})\}_{j=1}^{N_Q}$ where $S_j = (H_{in,x,j})_{x=1}^w$ is a sequence of subsets of GPT-2 input control layers $H_{in,x,j}$, each of length m , $L_j \in \{0, 1\}$ is the assigned label, and $T_{in,j}$ is the input text tokens corresponding to q_j .²

Often a target text quality is either common or rare. To maintain a balanced data set, our data generation software rejects many examples of the more common class. We found that randomly inserting tokens displaying the less common text quality into the input text from our corpus made GPT-2 more likely to output text of the rarer class and expedited data generation. Examples of data sets we generated are described further in Section 4 and in our supplementary materials.

A potential limitation of this data curation technique is that we relied on stringent $top_k = 1$ filtering in order to ensure the output $T_{out,j}$ and associated labels L_j were closely correlated to the content in the sequences S_j ; more research is required to determine whether or not this type of deterministic filtering is required for NPIs to attain satisfactory levels of control over pretrained language models. If this assumption can indeed be relaxed, we may see further improvements in the fluency of controlled outputs than those shown in our experiments in Section 4, which use a baseline GPT-2 model that has the same filter settings as those used to generate our NPI data sets. Note also that our approach to data curation assumes the language model to be at least capable of producing the target text quality in the first place, though the desired quality can be rarely expressed; eliminating this assumption marks an area of further research we find very intriguing.

3.1.2 Loss Function and Training Process

In our linguistic control experiments, we defined NPI models mapping $X : S_j \rightarrow D_{out,j}$ from a sequence S_j of subsets of hidden layer activations to a sequence of sets of activation perturbation values $D_{out,j}$ which can be element-wise added into the pretrained model during a series of forward passes to produce output. As noted earlier, this is a modification to the original definition of NPI at the start of Section 3, as we are now passing it entire sequences S_j of sets of hidden layers corresponding to multiple language model forward passes that produced a text context window.

We also define $S'_j = \{c_{a,b} | b \in I_{in}, c_{a,b} \in (H'_{x,j})_{x=1}^w, \{T_{out,x,j}^D, H'_{x,j}\} = P(T_{in,x,j} | D_{out,j})\}$ (where $T_{in,x,j}$ and $T_{out,x,j}^D$ are the input and output of P in the x th of a series of forward passes) as the derived control activations of S_j , which are to be directly compared to S_j in the loss function for X which we describe below. Let L'_j denote the label of S'_j generated using the same metric-based rules operating on $T_{out,j}^D$ as were used with $T_{out,j}$ to produce the label L_j for S_j .

NPI training involved three neural models trained together in an adversarial framework [21]. The NPI model $X : S_j \rightarrow D_{out,j}$ received feedback from a pre-trained content classifier network $Y : S_j \rightarrow [0, 1]$ as well as a discriminator network $Z : S_j \rightarrow [0, 1]$.

The discriminator Z was trained to distinguish between original GPT-2 hidden layer activation sequences (i.e. S_j) and those perturbed by X (i.e. S'_j) to ensure that the NPI did not perturb GPT-2 activations outside the space of plausible activations. Z was trained in tandem with X in an adversarial manner, with regular updates made to the weights.

Before training X and Z , we trained Y - a neural classification model - to distinguish between original GPT-2 hidden activations S_j that exhibited target behavior and those that did not, per L_j . (Thus Y could be trained with the same data set as X and Z .) When Y was able to generalize well enough to correctly label activation sequences outside of the training data, we began training X and Z . We found it helpful in some experiments to continually update the weights of Y with real-time generated labels from the output text of derived control activations S'_j produced by X . This helped ensure that X could not exploit weaknesses in Y as Y learned to counteract such exploitations.

The content classifier Y was pretrained to minimize $E_Y = \text{BCE}(Y(S_j), L_j)$ and then later to minimize $E'_Y = \text{BCE}(Y(S'_j), L'_j)$ in adversarial settings. The discriminator network Z was trained to minimize $E_Z = \text{BCE}(Z(S_j), 0) + \text{BCE}(Z(S'_j), 1)$. The NPI loss E_X , inspired by the Style-Transfer loss function [22], was composed of three sub-components - fluency loss $E_{X,f}$, content loss

²The size of GPT-2 hidden layers prevented us from posting data sets online, though the code used to produce the data sets can be found at <https://github.com/DRAGNLABS/towards-neural-programming-interfaces>; contact Nate Robinson at nrobinson@byu.edu for access to the data sets used in this paper.

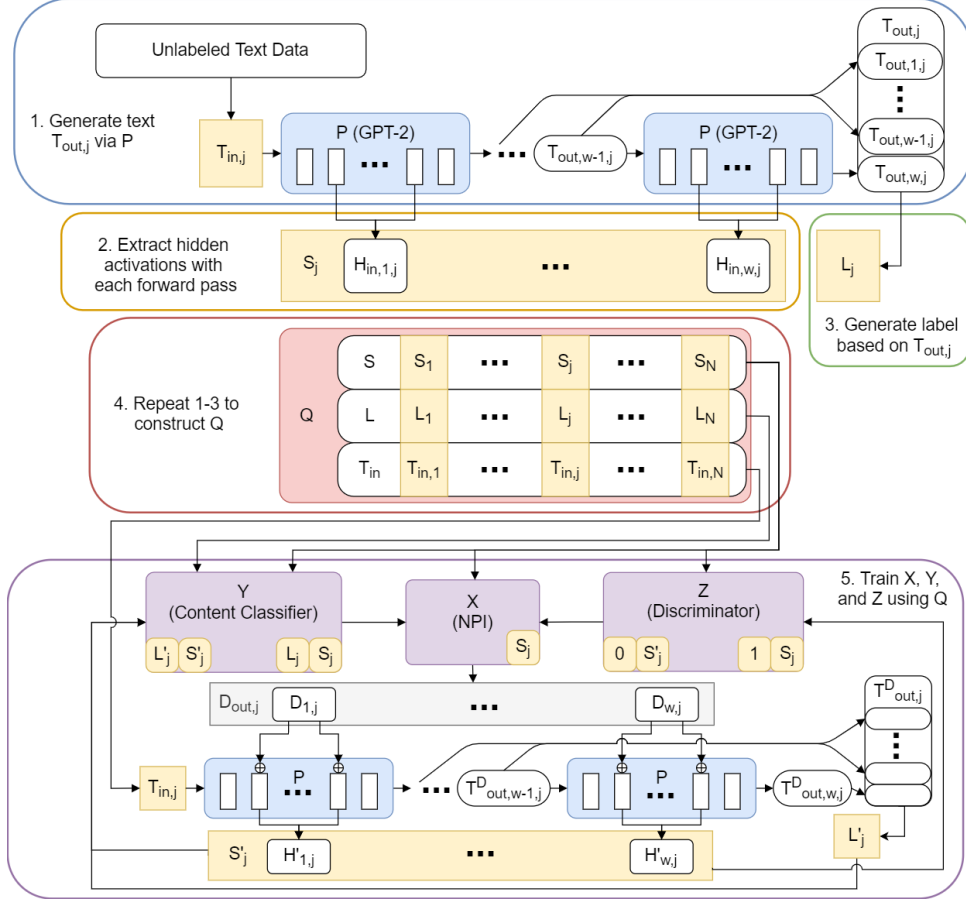


Figure 2: Our approach to controlling OpenAI’s GPT-2 (see Section 3.1). In Step 1, we pass uncensored text through the GPT-2 model and iteratively produce w tokens $T_{out,j}$. In Step 2, we extract the hidden layer activations (indexed by I_{in}) produced during each forward pass and store them as a sequence S_j . In Step 3, the output tokens $T_{out,j}$ are analyzed (via some chosen metric) to determine a label L_j for the behavior of the sequence S_j . Step 4 iteratively produces the data set Q by repeating Steps 1-3. Step 5 illustrates how Q is used to train the NPI X adversarially against Y and Z .

$E_{X,c}$, and stability loss $E_{X,s}$ - as shown below:

$$E_X = \gamma E_{X,f} + \alpha E_{X,c} + \beta E_{X,s} \quad (3)$$

$$E_{X,f} = \text{BCE}(Z(S'_j), 0) \quad (4)$$

$$E_{X,c} = \text{BCE}(Y(S'_j), \ell_{target}) \quad (5)$$

$$E_{X,s} = \text{MSE}(S'_j, S_j) \quad (6)$$

where $\ell_{target} = 1$ when the target quality is to be induced and $\ell_{target} = 0$ when it is to be avoided; γ , α , and β are scalar hyperparameters; and BCE and MSE denote the Binary Cross-Entropy and Mean-Squared Error loss functions respectively. Minimizing the content loss $E_{X,c}$ (the signal from Y) encouraged the NPI to control the language model such that it output text with the desired target quality. As described earlier, minimizing the fluency loss $E_{X,f}$ (the signal from Z) encouraged the derived control activations S'_j (produced using the NPI outputs) to resemble realistic language model activations. Minimizing stability loss $E_{X,s}$ encouraged output text influenced by the NPI not to stray too far (in ways other than the content being controlled) from the original output text.

Please see Figure 2 for a summary of this section.

Table 1: Fine-grained topic control across 1000 GPT-2 input sentences (500 for word prob baseline). The best results in each column are shown in bold-face text.

model name	target in output	embed shifts	avg shift
cat-NPI low-resource	33.3%	87.6%	0.092
cat-NPI	47.6%	94.8%	0.125
fine-tuned GPT-2 baseline	0.20%	64.5%	0.015
word prob baseline	0.00%	0.00%	0.000
unmodified GPT-2	0.00%	N/A	N/A

4 Results

We demonstrate the effectiveness of the NPI framework on a series of tasks including fine-grained topic control, offensive language filtering and bias reduction, and thematic adaptations. Our results show that NPI-guided text generation is able to increase the frequency of desired text properties without causing any detectable fluency degradation after controlling for top_k and top_p filtering. See Sections 5-6 of Appendix 1 for further details as to experiments and hyperparameters, as well as a detailed description of the ‘word prob’ baseline which either induced or eliminated target content during the logit sampling step of GPT-2 generation.

Throughout this section, the NPIs’ performances were evaluated both by counting the number of times the perturbed GPT-2’s output produced the target content and by measuring the vector shift of the GPT-2 output’s vector representation toward or away from the embedded representation of the target.³ *Target in output* refers to the percentage of GPT-2 outputs containing at least one instance of the target. *Embed shifts* refers to the frequency with which embedded representations of the NPI-manipulated outputs were closer to the target embedding than original GPT-2 outputs. *Avg shift* refers to the mean distance between NPI-manipulated embeddings and the original GPT-2 embeddings. Fluency was evaluated using a crowd-sourced Likert scale. Mechanical Turk workers with a ‘‘master’’ qualification allotted 1 to 5 stars for text quality. The best results in each table are bolded.

Although our current experiments focus on text generation using a small-scale GPT-2 model, we believe that the NPI framework is equally applicable to other domains and language models, including GPT3 [16], MEENA [30], GeDi [31], and image and sound generation tasks [32, 33, 34, 35]. Please see Appendix 1 for further discussion on applying the NPI approach to other models and domains.

4.1 Fine-grained Topic Control While Maintaining Fluency

To demonstrate topic induction, we first trained multiple NPI models to elicit the word ‘cat’ as frequently as possible, while still remaining coherent given the original path of discourse. The word ‘cat’ seemed an appropriate test bed, because it is a relatively common word in the English language, and yet is not spontaneously generated by the GPT-2 model with any notable frequency. We compared the performance of two NPI models: a low-resource model trained on only 691 training instances, and another model trained on 70,227 text samples. A fine-tuned GPT-2 baseline [36] was trained on 50,209 sentences containing the word ‘cat’, with a final loss of 0.05, at which point it was observed that the loss had only dropped by 0.02 in over 1000 steps. We also compared against a word probability baseline which automatically selected the target word whenever its likelihood exceeded 0.

Results are shown in Table 1. The effectiveness of training NPI models on small data sets (See Figures 1-4 in Appendix 1) suggest that NPIs may be a viable technique for controlled text generation in low-resource settings, where there are only a small set of labeled examples of the desired behavior. See Appendix 1 for further discussion and text samples.

To test the NPI’s ability to aggressively *avoid* an undesired topic, we created evaluation data sets consisting of 1000 GPT-2 input contexts that were confirmed to produce the undesired trait in GPT-2 output text with high likelihood. (This was necessary for comparison, as many words, such as ‘cat’, may not appear at all in 1000 random GPT-2 outputs.) Note to train NPI on the avoidance task we simply switch the objective in Equation (5). We tested multiple NPIs on topic aversion, notably a cat-avoidance NPI for avoiding the word ‘cat’, and a political-avoidance NPI designed to avoid

³For the embedding comparisons, we used 300-dimensional GloVe embeddings trained on an 840B word corpus [29]. Sentences were represented as a bag-of-words average of their component word embeddings.

Table 2: Fine-grained target *avoidance* across 1000 GPT-2 input sentences that produced the target word. The objective was to pivot away from the target word and settle on a different but related topic.

model name	‘cat’ in output	name in output	embed shifts	avg shift
cat-avoidance-NPI	11.0%	-	47.6%	0.008
public-figure-avoidance-NPI	-	52.4%	70.8%	0.025
unmodified GPT-2	37.1%	76.2%	-	-

Table 3: Model comparisons across 500 utterances. PPLM (Discriminator) used the same hyperparameters as NPI: top-1 filtering, small-size GPT-2. NPI clearly outperformed on word induction. Word prob outperformed in word avoidance. See Appendix Table 2 for a discussion of fluency.

	target in output	embed shifts	avg shift	fluency Likert scale	fluency std dev
<i>word induction - “cat”</i> (random contexts from Wikipedia)					
NPI	48.8%	95.4%	0.126	3.392	1.027
PPLM	23.2%	44.0%	0.059	3.632	1.116
word prob baseline	0.00%	0.00%	0.000	4.136	0.799
unmodified GPT-2	0.00%	N/A	N/A	3.452	0.994
<i>word avoidance - “cat”</i> (contexts containing “cat”)					
NPI	11.2%	47.2%	0.009	3.614	1.076
PPLM	10.0%	78.6%	0.143	2.808	1.325
word prob baseline	0.60%	33.2%	0.017	4.010	1.100
unmodified GPT-2	38.8%	N/A	N/A	3.604	1.099
<i>offense avoidance</i> (contexts containing offensive terms)					
NPI	17.6%	56.4%	0.067	2.944	0.752
PPLM	17.0%	33.8%	0.119	2.394	1.265
word prob baseline	16.6%	18.9%	0.0006	3.450	1.130
unmodified GPT-2	28.4%	N/A	N/A	2.912	0.767

producing the name of a controversial public figure. A fine-tuned GPT-2 baseline did not make sense for this task, as it is difficult to fine-tune a language model *away* from producing a specific word. Results are shown in Table 2.

Due to limited computational capacity, our experiments were performed using a small GPT-2 model and a short context length of $w \in \{10, 15\}$ characters. This naturally results in compromised fluency as compared to using larger models and contexts; however, as shown in Table 3 and other experiments (including some in Appendix 1), human evaluators rated NPI-guided outputs on par with unmodified GPT-2 outputs when using deterministic filtering. Our method also attains fluency ratings that either match or exceed the fluency of outputs generated using the Plug and Play Language Model (PPLM) [15]. These results demonstrate that NPIs can be used without significantly impacting fluency.

4.2 Bias Mitigation and Offensive Language Filtering

An immediate and much needed use case for the ability of an NPI to control for entire classes of behavior in addition to inducing or avoiding specific words is offensive language filtering. The inherent bias of large language models is well known and a topic of intense study [37, 38, 39, 40, 41]. While it may not be possible at this time to remove the bias from the weights of a language model that was trained on faulty data, it may at least be possible to inhibit inappropriate expressions of that bias.

To test this possibility, we evaluated the NPI’s ability to reduce the incidence of multiple forms of offensive speech, ranging from specific to general (Table 4). *Public figure avoidance* describes a task where the NPI avoided producing the name of a prominent and controversial politician (see Section 4.1). In the *Racial slur avoidance* and *Gender slur avoidance* tasks, the NPI learned to avoid using a small list (of size 2 or 4 respectively) of synonymous or nearly-synonymous terms that denigrate

Table 4: Topic aversion across multiple forms of offensive speech. *Successful shifts* refers to the number of times that embedded representations of the NPI-manipulated outputs were closer to the target word embedding than they were to the original GPT-2 outputs. *n* denotes the number of sample GPT-2 input texts used for the evaluation. Each experiment is paired with comparative results from an unmodified GPT-2 model using an identical set of input texts.

model name	target in output	successful shifts	avg shift	n
Public figure avoidance	54.2%	70.8%	0.025	500
unmodified GPT-2	76.2%	N/A	N/A	500
Racial slur avoidance	0.5%	73.57%	0.089	140
unmodified GPT-2	52.1%	N/A	N/A	140
Gender slur avoidance	10.3%	63.6%	0.073	1000
unmodified GPT-2	90.2%	N/A	N/A	1000
offensive speech avoidance	58.0%	57.0%	0.046	500
unmodified GPT-2	88.4%	N/A	N/A	500

specific subsets of society. The *Offensive speech avoidance* task was more encompassing, including a list of 116 terms [42, 43] commonly accepted as offensive, which the NPI was trained to avoid.

Section 5.1 in Appendix 1 demonstrates the ability of NPIs to influence the content of generated text to refer to specific political candidates, and Section 5.4 in Appendix 1 discusses the merits of this approach over the use of fine-tuning and direct vocabulary manipulation in avoiding offensive speech.

4.3 Thematic Adaptations

Many uses for controlled text generation are thematic; for example, one may wish to produce text using a simplified vocabulary, or to render text conforming to a specific dialect, world view, or religious context. Table 5 shows results from one such task: an NPI trained to produce outputs with small or large average word lengths, respectively. In this context, NPI use has significant advantages over approaches based on manual restrictions via reduced output vocabularies or adjustments to word sampling probabilities, as the NPI retains the ability to use a long word when an appropriate analogue does not exist in a shorter format, and vice versa.

Table 5: Fine-grained control of word length across 1000 sample sentences. *avg word length* refers to the mean number of characters per word in the output text. *num long words* indicates the number of words per text output, on average, whose length was greater than 5.26, which was calculated by taking two standard deviations outside a mean word length calculated from the words in 500 random generic sentences.

model name	avg word length	num long words	avg fluency	fluency std dev
short-NPI	2.90	3.440	3.75	1.1
long-NPI	4.10	14.013	3.65	1.10
unmodified GPT-2	3.82	9.425	3.79	1.08

5 Conclusion

The key contribution and insight of this paper is the use of a small, independently trained neural network called a Neural Programming Interface (NPI) to influence the behavior of a large pretrained model. In contrast to fine-tuning, this approach retains the linguistic breadth and versatility of the original model, allowing the possibility to control for multiple factors either in sequence or simultaneously, and to induce behavior in the language model contrary to the patterns baked into linguistic training data (such as inducing a polite response in an offensive context). We have demonstrated that this approach can be used to produce specific words within a GPT-2 model’s output text, to pivot away from a specific word, and to create a linguistic aversion to offensive speech. We believe that future avenues for this research include investigations of the use for NPI models in network interpretability, regulation, and bias mitigation.

Broader Impact

The ultimate aim of this research is to provide individuals and organizations who use neural networks - natural language models or otherwise - with tools that enable them to test, debug, and regulate the outputs of their machine learning models. As the NPIs in this paper learned to interpret and control the previously uninterpretable GPT-2 language model, we hope this approach can be used to debug and interpret the inner workings of other neural networks in addition to controlling their output. As such, the primary beneficiaries of this work are individuals or organizations that wish to incorporate neural network modeling capabilities with domain knowledge and/or high-level commands which require a high degree of granular control.

In addition to the general benefits of increased interpretability, our particular approach enables those with access to a pretrained neural network to re-purpose it for highly specific tasks without the need for specialized training data in the pretrained network's original training domain; so long as the model is capable of generating the desired output on occasion, the NPI approach can be used to amplify this aspect of the pretrained model. Therefore, individuals and organizations working in data-restricted domains such as healthcare and news broadcasting, groups with limited funding for data curation, or individuals and groups who might be under-represented in large public data sets (such as minority groups or public figures without extensive media coverage) also stand to benefit from this work. Going even further, we envision systems capable of leveraging a series of neural classifiers to detect bias such as political slant or other ideologies in language model output as it is produced in real-time. When the classifiers detect that the output is heavily biased towards one ideology, corresponding NPIs are activated in order to encourage output that leans in the opposite direction, thus facilitating more balanced text generation and greater representation of the full range of human dialogue and thought.

A third purpose of this paper is to prevent the abuse of controllable neural network technologies by making our approach widely known and open to public discussion. In particular, the spread of misinformation and offensive speech through automated conversational agents is a modern regulatory challenge, and we are concerned that controllable natural language generation has the capability to worsen this modern problem. As such, we desire to aid the public discourse regarding these technologies by informing individuals at all levels of society about the current state-of-the-art capabilities of these systems. Our team has therefore chosen to make our project's Github repository publicly available at the time of publication along with the weights of some of our classification, NPI, and fine-tuned GPT-2 models. However, in the interest of preventing malicious actors from easily converting our NPI models into tools for promoting offensive speech or political disinformation campaigns, we have also chosen to make the weights of some of our data sets and models - those trained on offensive speech, with political target behaviors, or of a similarly controversial nature - only available upon request, on a case-by-case basis, for academics and researchers also interested in ethical machine learning.

We are the first to acknowledge that the Neural Programming Interfaces (NPIs) presented in this research are not fail-safe regulatory tools, and should never be used as a final quality check for natural language generation (or any other) tasks. The failure-modes of NPIs include total degradation of neural network output quality (in the case that the NPI model over-aggressively alters the output of the original model) and insufficient change to the output of a pretrained neural network (in the case that target content is not sufficiently adhered to in the NPI output). To mitigate these failure modes, we suggest that the NPIs presented here be used as back-end procedures for pretrained neural network fault analysis, data bias analysis, and cached language generation (which would subsequently be filtered through a battery of quality checks). As more sophisticated Neural Programming Interfaces (NPIs) are developed, it may become possible for some of these recommendations to be eased.

In the course of training classifier neural networks for the adversarial training of NPI networks, we observed that the content classifier networks were susceptible to leveraging bias in heavily imbalanced data sets. Because content classifier networks form a portion of the NPI loss signal, it is likely that any bias baked into the classifier weights will contribute to bias in the NPI network itself. We therefore recommend that researchers and developers ensure training data sets are sufficiently balanced to mitigate bias in the methods described above.

Acknowledgments and Disclosure of Funding

We would like to acknowledge the significant contribution of our collaborators Junseong Ahn and Benjamin Murdoch, whose discussion and insights were invaluable in both the conceptualization and implementation of this completed work. We would also like to acknowledge David Carlson for his very helpful feedback and for supporting the completion of this work. Finally, we would like to recognize each of the reviewers of this paper, whose insightful feedback greatly improved the quality of this work.

References

- [1] Ashish Vaswani, Noam Shazeer, Niki Parmar, Jakob Uszkoreit, Llion Jones, Aidan N Gomez, Łukasz Kaiser, and Illia Polosukhin. Attention is all you need. In I. Guyon, U. V. Luxburg, S. Bengio, H. Wallach, R. Fergus, S. Vishwanathan, and R. Garnett, editors, *Advances in Neural Information Processing Systems 30*, pages 5998–6008. Curran Associates, Inc., 2017.
- [2] Daniel Adiwardana, Minh-Thang Luong, David R. So, Jamie Hall, Noah Fiedel, Romal Thoppilan, Zi Yang, Apoorv Kulshreshtha, Gaurav Nemade, Yifeng Lu, and Quoc V. Le. Towards a human-like open-domain chatbot, 2020.
- [3] Jiwei Li, Michel Galley, Chris Brockett, Jianfeng Gao, and Bill Dolan. A persona-based neural conversation model. *CoRR*, abs/1603.06155, 2016.
- [4] Xupeng Tong, Yikang Li, and Chao-Ming Yen. Variational neural conversational model. *ICML*, 2014.
- [5] Zihang Dai, Zhilin Yang, Yiming Yang, Jaime Carbonell, Quoc V. Le, and Ruslan Salakhutdinov. Transformer-xl: Attentive language models beyond a fixed-length context, 2019.
- [6] Alec Radford, Jeffrey Wu, Rewon Child, David Luan, Dario Amodei, and Ilya Sutskever. Language models are unsupervised multitask learners. *OpenAI Blog*, 1(8):9, 2019.
- [7] Zhilin Yang, Zihang Dai, Yiming Yang, Jaime Carbonell, Russ R Salakhutdinov, and Quoc V Le. Xlnet: Generalized autoregressive pretraining for language understanding. In H. Wallach, H. Larochelle, A. Beygelzimer, F. d'Alché-Buc, E. Fox, and R. Garnett, editors, *Advances in Neural Information Processing Systems 32*, pages 5753–5763. Curran Associates, Inc., 2019.
- [8] Ashwin Ram, Rohit Prasad, Chandra Khatri, Anu Venkatesh, Raefer Gabriel, Qing Liu, Jeff Nunn, Behnam Hedayatnia, Ming Cheng, Ashish Nagar, Eric King, Kate Bland, Amanda Wartick, Yi Pan, Han Song, Sk Jayadevan, Gene Hwang, and Art Pettigrew. Conversational ai: The science behind the alexa prize, 2018.
- [9] Chun-Yen Chen, Dian Yu, Weiming Wen, Yi Mang Yang, Jiaping Zhang, Mingyang Zhou, Kevin Jesse, Austin Chau, Antara Bhowmick, Shreenath Iyer, et al. Gunrock: Building a human-like social bot by leveraging large scale real user data. *Alexa Prize Proceedings*, 2018.
- [10] Amanda Cercas Curry, Ioannis Papaioannou, Alessandro Suglia, Shubham Agarwal, Igor Shalyminov, Xinnuo Xu, Ondrej Dusek, Arash Eshghi, Ioannis Konstas, Verena Rieser, et al. Alana v2: Entertaining and informative open-domain social dialogue using ontologies and entity linking. *Alexa Prize Proceedings*, 2018.
- [11] James Kirkpatrick, Razvan Pascanu, Neil C. Rabinowitz, Joel Veness, Guillaume Desjardins, Andrei A. Rusu, Kieran Milan, John Quan, Tiago Ramalho, Agnieszka Grabska-Barwinska, Demis Hassabis, Claudia Clopath, Dharshan Kumaran, and Raia Hadsell. Overcoming catastrophic forgetting in neural networks. *CoRR*, abs/1612.00796, 2016.
- [12] Nitish Shirish Keskar, Bryan McCann, Lav R. Varshney, Caiming Xiong, and Richard Socher. Ctrl: A conditional transformer language model for controllable generation, 2019.
- [13] Jason Yosinski, Jeff Clune, Yoshua Bengio, and Hod Lipson. How transferable are features in deep neural networks? In Z. Ghahramani, M. Welling, C. Cortes, N. D. Lawrence, and K. Q. Weinberger, editors, *Advances in Neural Information Processing Systems 27*, pages 3320–3328. Curran Associates, Inc., 2014.
- [14] Kristine M Knutson, Olga Dal Monte, Selene Schintu, Eric M Wassermann, Vanessa Raymond, Jordan Grafman, and Frank Krueger. Areas of brain damage underlying increased reports of behavioral disinhibition, 2015.
- [15] Sumanth Dathathri, Andrea Madotto, Janice Lan, Jane Hung, Eric Frank, Piero Molino, Jason Yosinski, and Rosanne Liu. Plug and play language models: A simple approach to controlled text generation, 2019.
- [16] Tom B. Brown, Benjamin Mann, Nick Ryder, Melanie Subbiah, Jared Kaplan, Prafulla Dhariwal, Arvind Neelakantan, Pranav Shyam, Girish Sastry, Amanda Askell, Sandhini Agarwal, Ariel Herbert-Voss, Gretchen Krueger, Tom Henighan, Rewon Child, Aditya Ramesh, Daniel M. Ziegler, Jeffrey Wu, Clemens Winter, Christopher Hesse, Mark Chen, Eric Sigler, Mateusz Litwin, Scott Gray, Benjamin Chess, Jack

- Clark, Christopher Berner, Sam McCandlish, Alec Radford, Ilya Sutskever, and Dario Amodei. Language models are few-shot learners, 2020.
- [17] Ronan Collobert and Jason Weston. A unified architecture for natural language processing: Deep neural networks with multitask learning. In *Proceedings of the 25th International Conference on Machine Learning*, ICML '08, page 160–167, New York, NY, USA, 2008. Association for Computing Machinery.
- [18] Feng Jin and Shiliang Sun. Neural network multitask learning for traffic flow forecasting. In *2008 IEEE International Joint Conference on Neural Networks (IEEE World Congress on Computational Intelligence)*, pages 1897–1901, 2008.
- [19] D. H. Wolpert and W. G. Macready. No free lunch theorems for optimization. *IEEE Transactions on Evolutionary Computation*, 1(1):67–82, 1997.
- [20] Daniel Svozil, Vladimír Kvasnicka, and Jirí Pospichal. Introduction to multi-layer feed-forward neural networks. *Chemometrics and Intelligent Laboratory Systems*, 39(1):43 – 62, 1997.
- [21] Ian Goodfellow, Jean Pouget-Abadie, Mehdi Mirza, Bing Xu, David Warde-Farley, Sherjil Ozair, Aaron Courville, and Yoshua Bengio. Generative adversarial nets. In Z. Ghahramani, M. Welling, C. Cortes, N. D. Lawrence, and K. Q. Weinberger, editors, *Advances in Neural Information Processing Systems 27*, pages 2672–2680. Curran Associates, Inc., 2014.
- [22] Leon A. Gatys, Alexander S. Ecker, and Matthias Bethge. A neural algorithm of artistic style, 2015.
- [23] Thomas Wolf, Lysandre Debut, Victor Sanh, Julien Chaumond, Clement Delangue, Anthony Moi, Pierric Cistac, Tim Rault, R’emi Louf, Morgan Funtowicz, and Jamie Brew. Huggingface’s transformers: State-of-the-art natural language processing. *ArXiv*, abs/1910.03771, 2019.
- [24] Christian Szegedy, Wojciech Zaremba, Ilya Sutskever, Joan Bruna, Dumitru Erhan, Ian Goodfellow, and Rob Fergus. Intriguing properties of neural networks, 2013.
- [25] Paul Michel, Xian Li, Graham Neubig, and Juan Miguel Pino. On evaluation of adversarial perturbations for sequence-to-sequence models. *CoRR*, abs/1903.06620, 2019.
- [26] Wikipedia contributors. Plagiarism — Wikipedia, the free encyclopedia, 2004. [Online; accessed 22-July-2004].
- [27] Devin Gaffney and J. Nathan Matias. Caveat emptor, computational social science: Large-scale missing data in a widely-published reddit corpus. *CoRR*, abs/1803.05046, 2018.
- [28] Yukun Zhu, Ryan Kiros, Richard S. Zemel, Ruslan Salakhutdinov, Raquel Urtasun, Antonio Torralba, and Sanja Fidler. Aligning books and movies: Towards story-like visual explanations by watching movies and reading books. *CoRR*, abs/1506.06724, 2015.
- [29] Jeffrey Pennington, Richard Socher, and Christopher D. Manning. Glove: Global vectors for word representation. In *Proceedings of the 2014 Conference on Empirical Methods in Natural Language Processing, EMNLP 2014, October 25-29, 2014, Doha, Qatar, A meeting of SIGDAT, a Special Interest Group of the ACL*, pages 1532–1543, 2014.
- [30] Daniel Adiwardana, Minh-Thang Luong, David R. So, Jamie Hall, Noah Fiedel, Romal Thoppilan, Zi Yang, Apoorv Kulshreshtha, Gaurav Nemade, Yifeng Lu, and Quoc V. Le. Towards a human-like open-domain chatbot, 2020.
- [31] Ben Krause, Akhilesh Deepak Gotmare, Bryan McCann, Nitish Shirish Keskar, Shafiq Joty, Richard Socher, and Nazneen Fatema Rajani. Gedi: Generative discriminator guided sequence generation, 2020.
- [32] Aaron van den Oord, Nal Kalchbrenner, Lasse Espeholt, koray kavukcuoglu, Oriol Vinyals, and Alex Graves. Conditional image generation with pixelcnn decoders. In D. D. Lee, M. Sugiyama, U. V. Luxburg, I. Guyon, and R. Garnett, editors, *Advances in Neural Information Processing Systems 29*, pages 4790–4798. Curran Associates, Inc., 2016.
- [33] Aäron van den Oord, Sander Dieleman, Heiga Zen, Karen Simonyan, Oriol Vinyals, Alexander Graves, Nal Kalchbrenner, Andrew Senior, and Koray Kavukcuoglu. Wavenet: A generative model for raw audio. In *Arxiv*, 2016.
- [34] Karol Gregor, Ivo Danihelka, Alex Graves, Danilo Jimenez Rezende, and Daan Wierstra. Draw: A recurrent neural network for image generation, 2015.
- [35] Swaminathan Gurusurthy, Ravi Kiran Sarvadevabhatla, and Venkatesh Babu Radhakrishnan. Deligan : Generative adversarial networks for diverse and limited data, 2017.
- [36] Max Woolf. minimaxir/gpt-2-simple, Apr 2020.
- [37] Tolga Bolukbasi, Kai-Wei Chang, James Y Zou, Venkatesh Saligrama, and Adam T Kalai. Man is to computer programmer as woman is to homemaker? debiasing word embeddings. In D. D. Lee, M. Sugiyama, U. V. Luxburg, I. Guyon, and R. Garnett, editors, *NIPS*, pages 4349–4357. Curran Associates, Inc., 2016.

- [38] Tolga Bolukbasi, Kai-Wei Chang, James Y. Zou, Venkatesh Saligrama, and Adam Tauman Kalai. Quantifying and reducing stereotypes in word embeddings. *CoRR*, abs/1606.06121, 2016.
- [39] Aylin Caliskan, Joanna J Bryson, and Arvind Narayanan. Semantics derived automatically from language corpora contain human-like biases. *Science*, 356(6334):183–186, 2017.
- [40] Nikhil Garg, Londa Schiebinger, Dan Jurafsky, and James Zou. Word embeddings quantify 100 years of gender and ethnic stereotypes. *Proceedings of the National Academy of Sciences*, 115(16):E3635–E3644, 2018.
- [41] William L. Hamilton, Jure Leskovec, and Dan Jurafsky. Diachronic word embeddings reveal statistical laws of semantic change. *CoRR*, abs/1605.09096, 2016.
- [42] Luis von Ahn’s Research Group (CMU). <https://www.cs.cmu.edu/biglou/resources/bad-words.txt>.
- [43] T. Davidson, D. Warmsley, M. Macy, and I. Weber. Automated hate speech detection and the problem of offensive language. 2017.

Towards Neural Programming Interfaces: Appendix 1

Zachary C. Brown

Electrical and Computer Engineering
Duke University
Durham, NC 27708
zac.brown@duke.edu

Nathaniel Robinson

Department of Computer Science
Brigham Young University
Provo, UT 84602
nrobinson@byu.edu

David Wingate

Department of Computer Science
Brigham Young University
Provo, UT 84602
wingated@cs.byu.edu

Nancy Fulda

Department of Computer Science
Brigham Young University
Provo, UT 84602
nfulda@cs.byu.edu

1 Overview

This Appendix provides supplementary information for our main paper. In Section 2, we provide pseudo-code for the discussion of the NPI algorithm discussed in the beginning of Section 3 of the main paper. Section 3 provides a model size comparison (in terms of number of parameters) between a few of our NPI models and other state-of-the-art methods for textual control. In Section 4, we discuss some details regarding how the NPI approach might be applied to other neural network architectures other than OpenAI’s GPT-2 model [1], as well as some aspects of Figure 1 in the main paper which were not highlighted for the sake of brevity. Section 5 of this Appendix elaborates and discusses various results reported in Section 4 of the main paper (with many details as to hyperparameters being saved for Section 6 of this Appendix), in addition to reporting some additional results that were not included in the main paper due primarily to page limitations. Finally, Section 6 reports our records of the hyperparameters of many of our experiments.

2 NPI Control for Pretrained Neural Networks (NPIC)

Algorithm 1 presents pseudo-code for applying a Neural Programming Interface X to control a pretrained model P , as discussed at the beginning of Section 3 of the main paper.

3 Model Size Comparison

When compared with other linguistic control models such as CTRL [2] and Meena [3] and methods capable of learning new linguistic tasks without weight updates [4], our NPI method provides a distinct training advantage: it is able to provide both capabilities while requiring three orders of magnitude fewer parameters than GPT-3. This is particularly relevant in contexts where training data is limited, as the number of trainable parameters heavily influences the amount of training data needed to learn a task effectively. Table 1 provides a model size comparison of the various methods.

Algorithm 1 - NPI Control for Pretrained Neural Networks (NPIC)

Inputs: T_{in} ▷ Input for the pretrained model P
Parameters: I_{in} ▷ The set of integer indices representing the hidden layers of P to be controlled
Output: T_{out}^D, H' ▷ Output and hidden activations of the controlled model P'

1: $\{T_{out}, H\} \leftarrow P(T_{in})$ ▷ 1st forward pass through pretrained model P , arrow denotes assignment operator
2: $H_{in} \leftarrow \{h_i | i \in I_{in}\} \subseteq H$
3: $D_{out} \leftarrow X(H_{in})$ ▷ Forward pass through the NPI model X
4: $T_{out}^D \leftarrow T_{in}$
5: $H' \leftarrow \{\}$
6: **for** $j, layer$ **in** $enumerate(P)$ **do:** ▷ 2nd forward pass through pretrained model P
7: $T_{out}^D \leftarrow layer(T_{out}^D)$
8: **if** $j \in I_{in}$ **then** $T_{out}^D \leftarrow T_{out}^D \oplus d_{i,j}$ **end if** ▷ $d_{i,j} \in D_{out}$ is added to T_{out}^D element-wise
9: $H'.append(T_{out}^D)$
10: **end for**
11: **return** $\{T_{out}^D, H'\}$

Table 1: Comparison between the capabilities and parameter counts of various NPI models, CTRL [2], Meena [3], and GPT-3 [4]. *Control* refers to the ability of the model to control its linguistic output, and takes on the values *True* or *Limited* in the case of GPT-3, which can only be controlled based on input text and is not explicitly trained for control. *No model updates* refers to the capability of the model to learn new linguistic tasks without weight updates to the linguistic model itself, and takes on the boolean values *True* or *False*. *Npi params* refers to the number of parameters that comprise the npi model in each method (with NPI model parameters separated from their linguistic model counterparts by a + symbol). *Total params* refers to the number of total parameters in the model.

model name	control	no model updates	npi params	total params
cat-NPI small + GPT-2 small	True	True	~15.5 Million	~140.0 Million
cat-NPI large + GPT-2 small	True	True	~15.5 Million	~140.0 Million
cat-avoidance-NPI + GPT-2 small	True	True	~15.5 Million	~140.0 Million
offense-avoidance-NPI + GPT-2 medium	True	True	~103.7 Million	~458.6 Million
CTRL	True	False	0	1.63 Billion
Meena	True	False	0	2.6 Billion
GPT-3	Limited	True	0	175 Billion

4 Applying NPIs to Diverse Models

Our experiments sought to control the hidden layers between GPT-2 [1] ‘blocks’ [5], which do not incorporate a form of hidden layer aggregation (i.e. residual connections [6] or attention mechanisms [7] across hidden layers). It is important to note that for models that do not incorporate some form of hidden layer aggregation A , the number of control layers used to influence the controlled output in a single forward pass of a pretrained model P could theoretically be reduced down to $m_{min} = 1$. This is due to the fact that without hidden layer aggregation, the hidden layers (and control layers, by extension) are processed sequentially, which suggests the final output could be controlled entirely at the end of where the control sequence is processed. More experimentation is needed to better understand the rules that determine which set of control layers is optimal.

In the case where layer aggregation methods are used, however, the value of m_{min} varies according to the specific use of layer aggregation, with $1 \leq m_{min} \leq n$. We refer to models that incorporate layer aggregation across all n hidden layers (such as DenseNET [8]) as ‘fully aggregated networks’,

Table 2: Model comparisons across 1000 utterances (500 for word probability baselines) in the context of political bias mitigation. Fluency was evaluated using a crowd-sourced Likert scale. Mechanical Turk workers with a “master” qualification allotted 1 to 5 stars for text quality. The target words were the names of political candidates from the previous two presidential elections in the USA. It is unclear why the probability baseline outputs scored higher than the unmodified GPT-2 in fluency, as these two approaches are identical except for the probability of outputting the name of a political figure. We attribute this to the variability in human text evaluations, as the word probability baselines were evaluated several weeks after all other models in the table, and at a different time of day. Note that despite its high fluency rating, the word probability method failed to induce the target word.

	target in output	embed shifts	avg shift	fluency Likert scale	fluency std dev
<i>word induction - Candidate A</i>					
NPI	46.7%	75.0%	0.070	3.57	1.16
word prob baseline	0.40%	0.00%	0.00	4.14	0.80
unmodified GPT-2	0.00%	N/A	N/A	3.74	1.15
<i>word induction - Candidate B</i>					
NPI	1.00%	49.8%	0.001	3.48	1.13
word prob baseline	0.00%	0.00%	0.00	4.17	0.88
unmodified GPT-2	0.00%	N/A	N/A	3.71	1.10
<i>word induction - Candidate C</i>					
NPI	34.0%	74.5%	0.056	3.79	1.07
word prob baseline	0.00%	0.00%	0.00	4.12	0.79
unmodified GPT-2	0.00%	N/A	N/A	3.72	1.15

and provide an illustration of a Neural Programming Interface acting on such a network in Figure 1 of the main paper. For networks that are not fully aggregated, Figure 1 serves to illustrate the locally aggregated portion of the pretrained network that is to be controlled (with the aggregation portion A simply omitted in cases where layer aggregation is entirely absent, such as in our GPT-2 experiments in Section 4 of the main paper).

5 Additional Experiments and Discussion

5.1 Bias Mitigation in Politics

The inherent biases of pre-trained language models have been clearly and repeatedly established [9, 10, 11, 12, 13]. NPIs provide a new and potentially powerful tool for creating more balanced language model output. Table 2 demonstrates the ability of NPIs to influence the content of generated text to refer to specific political candidates. The differing success of the NPI with different candidate names is a result of the candidates’ relevant prominence in news articles at the time the GPT-2 model was trained. By strategically leveraging NPIs to counterbalance such biases in the training data, it is possible to increase the prevalence with which each candidate is named.

For completeness, we compared the NPI guidance method of word induction to a word probability baseline (“prob baseline”) in which tokens comprising the candidate’s name were automatically selected for output by the GPT-2 model whenever they had probability > 0 . NPI’s dramatically superior performance can be explained by the observable difference in embedding shifts between the two models. In situations where the candidate’s name cannot be output without violating fluency or consistency constraints, the NPI is nevertheless able to influence the output text in the general *direction* of the target word, thus creating opportunities to output the target word later on.

The results in Table 2 show that as long as a candidate is well-referenced in the training corpus (Candidates A and C), NPI guidance is able to increase the prevalence of the candidate’s name far above that enabled by word probability adjustments. In the case of under-represented entities (e.g. Candidate B), we hypothesize that a combination of (a) fine-tuning on a small dataset containing the candidate’s name and (b) utilizing NPI guidance on the fine-tuned model would increase the frequency of the target word.

5.2 Further Discussion of Topic Induction Experiments

This section references Table 1 in the main paper.

Note that the low-resource NPI performs remarkably well despite the tiny size of its data set. Evaluation of the outputs from this model show evidence of overfitting, with specific words and phrases showing up repeatedly. Nevertheless, analysis of the embedding shifts across the NPI models show that the embedded representation of the GPT-2 outputs moves toward the target word in far more sentences than those in which the target word actually appears. Manual inspection of GPT-2 output texts show that this is caused by the introduction of words such as “furry”, “purred” or “prey”, which are strongly associated with the target word. Words denoting other small furry animals, including “dog” and “squirrel” are also prevalent. Hence, the NPI has not merely increased the frequency of the word “cat”, but has shifted the entire tone of the output text toward the *idea* of catness. We find this remarkable. Other examples of this capability are in Table 4.

The standard cat-NPI, trained on 70,227 example sentences, successfully produces the target word 54.2% at epoch 5, but only manages to shift the overall tone of each sentence 79.8% of the time. The model undergoes some learning distress at epoch 20, then sacrifices target word instances slightly in order to attain an impressive 94.8% success ratio at shifting the sentence topic. Critically, the average shift in all cases is ≤ 0.125 and the standard deviation across all embedding shifts is less than 0.1. This suggests that the NPI model has successfully kept the overall topic of the perturbed GPT-2 outputs extremely close to content of the unmodified GPT-2 model.

5.3 Example Sentences

In Table 3 we report text samples generated by our ‘cat’ induction as well as offense-avoidance NPI models. These samples were manually selected to display various characteristics of the control exerted by our NPI models, and do not necessarily represent the best or worst samples generated by these models. In reporting these samples, we made a true effort to include samples that show some of the failure-modes of our models (particularly in the 5th example), and refer the reader to the fluency metrics reported in the main paper as a reminder that our NPI models achieved similar fluency ratings to the original GPT-2 model (using deterministic filtering) throughout our experiments.¹

5.4 Summary Discussion of Experimental Results

As can be seen from our experiments, a key advantage of the NPI framework (as opposed to fine-tuning or filtering the probability of target words during output sampling) is its ability not merely to model language but to actively induce a topic shift within the perturbed GPT-2 outputs. In contrast, if a GPT-2 model is fine-tuned on a specialized data set, it learns to produce text that resembles that data set, but only if it has learned to over-fit on the fine-tuning set or if the input text matches the fine-tuning data. Directly filtering GPT-2 final layer sampling probabilities did not manage to *pivot* toward the specialized information in cases where more generalized inputs are provided. This failure was particularly noticeable in word induction applications. As described earlier, our ‘word prob’ method was to choose a target token by default anytime the GPT-2 assigned the target token a non-zero probability. (This was the most aggressive feasible term induction method via probability tweaks. To go any further and force GPT-2 to choose a token with zero probability would be equivalent to randomly seeding the output text with the target token; it wouldn’t take advantage of GPT-2’s language modeling capabilities.)

Similarly, NPIs are better prepared to avoid offensive speech than existing approaches. While word avoidance can be achieved by reducing the output probabilities of specific terms to zero during the text generation process, such methods would not generalize to more complex forms of avoidance that seek to prevent word use only in some contexts, or that seek to avoid statements such as “I doubt your sanity”, which offend without using strictly offensive words. The promising results in this subsection suggest that the NPI architecture would perform well in such scenarios.

¹To see more examples of NPI results and perturbed output text, please see our GitHub repository, <https://github.com/DRAGNLabs/towards-neural-programming-interfaces>.

Table 3: Sample text outputs generated by our NPI models. Newlines have been replaced by spaces, and potentially offensive terms and identifiers are obfuscated. Target words are bolded. Limited fluency in both the GPT-2 and NPI outputs is due to (a) the small-size GPT-2 model used, (b) the short GPT-2 context of 10 to 15 tokens, and (c) the deterministic sampling method `top_k=1`, as discussed in Section 3.1.1 of the main paper.

cat-NPI small	CONTEXT	"How"
	GPT-2 OUTPUT	"to use the API The API is available in the following formats: HTML CSS JavaScript CSS3 JavaScript // This is the default"
	NPI OUTPUT	"to use the API The API is available in the following format: # cat /proc/sys/kernel/cpuinfo #include <linux/cpuinfo.h> # #####"
cat-NPI Large	CONTEXT	"magazine writer david dalton the following about her first"
	GPT-2 OUTPUT	"book, "The Secret of the Mind," by the late John Steinbeck. The book is a collection of essays by the author, and the book is available"
	NPI OUTPUT	"Cal headseeth smashed into the head of the cat . The cat is a very small cat , but it is a very good cat . The cat is a very good cat , but"
cat-NPI Large	CONTEXT	"near pyongyang november one nine five zero during the korean war"
	GPT-2 OUTPUT	". The Korean War was a major military event in the Korean War. The U.S. military has been accused of using chemical weapons against civilians in Syria."
	NPI OUTPUT	". The Korean War was a war of attrition, and the Japanese were not only a good team, but also a great team. "I think we're going to be a cat -and-mouse game."
offense-	CONTEXT	" B*****es always think somebody want them or they little c*****e lol chilling dont exist nomore ? Iont want yall h**s "
avoidance-NPI	GPT-2 OUTPUT	" to be able to get away with this s**t. I'm not saying that the people who are doing this are evil."
	NPI OUTPUT	" to be a part of the world. I'm not sure if this is the case for all of the other characters, but I'm not sure if it's a good idea to have"
offense-avoidance-NPI	CONTEXT	"just got another warning. why are you such a d**k ? d*****e"
	GPT-2 OUTPUT	": x**I'm not a d**k . x**I'm just a guy who likes to play video games. x**I'm not sure if he's a gamer, but "
	NPI OUTPUT	". I'm not a dog. I'm not a dog. I'm not a dog. I'm not a dog. I'm not a dog. I'm not a dog. I'm not a dog. I'm not a dog."
offense-avoidance-NPI	CONTEXT	"Go die in a hole somewhere dont censor you racist"
	GPT-2 OUTPUT	" a**holes you arent welcome here you arent welcome here you arent welcome here you arent welcome here you arent "
	NPI OUTPUT	" dont dont censor you racist The only thing that matters is that you're not racist The only thing that matters is that you're not racist."

6 Hyperparameter Details for Models and Experiments

In Figures 1-4 we provide the hyperparameters used for models featured in our experiments, as well as training details such as data set content, number of training points, and learning rate, among others. The Adam optimizer was the only optimizer used throughout training of all models.

Table 4: More text outputs generated by our NPI models displaying NPI’s capability to steer GPT-2 in the direction of abstract concepts in addition to use of target words. Harry-Potter-NPI is an NPI trained with a long list of words related to J. K. Rowling’s fantasy series *Harry Potter* as targets. Target words are bold. Words pertaining to the target topic that were outside the list of target words are italicized. In addition to the examples listed here, many of the political figure-inducing NPI models were able to induce the names of family members, opponents, or associates of the target political figure (names that were outside the set of target terms during training). See our GitHub repository <https://github.com/DRAGNLabs/towards-neural-programming-interfaces> for more examples of NPI outputs.

Harry-Potter-NPI	CONTEXT	"marriage advertisement and his wife as being from nearby booth-town"
	GPT-2 OUTPUT	"The woman, who was not identified, said she was driving to work when she was struck by a car. 'I was just trying to get out of the car and get out of the car. 'I'm not going to be able to drive it,' he said."
	NPI OUTPUT	"The woman was taken to the hospital, where she was pronounced dead. The woman was a member of the Order of the Black Rose, and was a member of the Order of the Phoenix . The Order of the Phoenix was a powerful and powerful organization that had been created by the Phoenix Council."
Harry-Potter-NPI	CONTEXT	"the university of dublin and four for the national university of ireland"
	GPT-2 OUTPUT	"The university’s president, Dr. Michael O’Brien, said the university’s decision to withdraw the lawsuit was ‘a mistake.’ ‘I think it’s a mistake,’ he said. ‘I think it’s a mistake to say that we’re going to be able to do this.'"
	NPI OUTPUT	"The first of the three to be <i>expelled</i> was the young man who had been the first to be <i>expelled</i> . 'I'm sorry, but I'm not going to be here for a while. I'm going to go to the <i>library</i> and find a way to get the <i>key</i> . The <i>key</i> is a <i>key</i> that is used to unlock the door."
Harry-Potter-NPI	CONTEXT	"this effort was considered to be the largest drainage project of its time"
	GPT-2 OUTPUT	"The project was completed in the early 1990s, and the project was completed in the early 2000s.The project was funded by the National Science Foundation, the National Science Foundation, the National Science Foundation, the National Science Foundation, the National Science Foundation, the National Science Foundation, the National Science Foundation, the National Science Foundation, the National Science Foundation, the"
	NPI OUTPUT	"The first of the three major drainage projects was the Great Basin Water Project, which was completed in 1859. The project was funded by the <i>Queen’s Council</i> , and the <i>Queen’s Council</i> was a secret organisation that was created by the Queen to protect the Queen from the forces of the <i>Dark Gods</i> . The Queen’s power is not limited to the <i>Dark Gods</i> . The"

	cat-inducing NPI from Table 3	cat-avoidance NPI from Table 3	offense-avoidance NPI from Table 3
Info for NPI:			
dims of every layer	153500x50, 50x50, 50x25, 25x25, 25x25, 25x25, 25x50, 50x50, 50x153500	153500x50, 50x50, 50x25, 25x25, 25x25, 25x50, 50x50, 50x153500	460800x112, 112x112, 112x56, 56x56, 56x56, 56x56, 56x112, 112x112, 112x460800
layer details	ReLU between each pair of layers	ReLU between each pair of layers	ReLU between each pair of layers
learning rate details	lr=.000001	lr=.00001	lr=.000001
batch size	5	5	5
size of training data	70455 data points (305 pkls)	693 data points (3 pkls)	7800 data points (25 pkls)
size of testing data	23180 data points	228 data points	2600 data points
epochs	20	25	4
loss coefficients	gamma=3.0, alpha=10.0, beta=1.0	gamma=3.0, alpha=10.0, beta=1.0	gamma=2.0, alpha=10.0, beta=0.0
Info for Content classifier			
dims of every layer	153500x12, 12x6, 6x3, 3x1	153500x12, 12x6, 6x3, 3x1	460800x28, 28x14, 14x7, 7x1
layer details	ReLU between each pair of layers, Sigmoid after layer 4	ReLU between each pair of layers, Sigmoid after layer 4	ReLU between each pair of layers, Sigmoid after layer 4
learning rate details	lr=.0000001	lr=.0000001	lr=.0000001
batch size	5	5	5
size of training data	70455 data points (305 pkls)	70455 data points (305 pkls)	41250 data points (11 pkls)
size of testing data	23180 data points	23180 data points	13750 data points
epochs	30	20	30
classifier trained further during NPI training?	no	yes	no
Info for Discriminator:			
dims of every layer	153500x25, 25x25, 25x12, 12x12, 12x6, 6x6, 6x1	153500x25, 25x25, 25x12, 12x12, 12x6, 6x6, 6x1	460800x56, 56x56, 56x28, 28x28, 28x14, 14x14, 14x1
layer details	ReLU between each pair of layers, Sigmoid after layer 7	ReLU between each pair of layers, Sigmoid after layer 7	ReLU between each pair of layers, Sigmoid after layer 7
learning rate details	lr=.000001	lr=.00001	lr=.000001
batch size	5	5	5
size of training data	70455 data points (305 pkls)	693 data points (3 pkls)	7800 data points (25 pkls)
size of testing data	23180 data points	228 data points	2600 data points
epochs	20	25	4
Info about Data Set:			
context window	10	10	15
number of GPT-2 iterations	10	10	15
GPT-2 model used	small	small	medium
GPT-2 layers used	2, 9	5, 11	2, 9
Random seeding	Yes	Yes	No

Figure 1: Hyperparameters used for models featured in this paper.

	political-avoidance NPI from Table 4	racial-slur-avoidance NPI from Table 4	gender-slur-avoidance NPI from Table 4
Info for NPI:			
dims of every layer	153500x50, 50x50, 50x25, 25x25, 25x25, 25x25, 25x50, 50x50, 50x153500	153500x50, 50x50, 50x25, 25x25, 25x25, 25x25, 25x50, 50x50, 50x153500	153500x50, 50x50, 50x25, 25x25, 25x25, 25x25, 25x50, 50x50, 50x153500
layer details	ReLU between each pair of layers	ReLU between each pair of layers	ReLU between each pair of layers
learning rate details	lr=0.000001	lr=.000001	lr=.000001
batch size	5	5	5
size of training data	693 data points (3 pkls)	693 data points (3 pkls)	693 data points (3 pkls)
size of testing data	228 data points	228 data points	228 data points
epochs	30	30	50
loss coefficients	gamma=3.0, alpha=10.0, beta=1.0	gamma=3.0, alpha=10.0, beta=1.0	gamma=3.0, alpha=10.0, beta=1.0
Info for Content classifier			
dims of every layer	153500x12, 12x6, 6x3, 3x1	153500x12, 12x6, 6x3, 3x1	153500x12, 12x6, 6x3, 3x1
layer details	ReLU between each pair of layers, Sigmoid after layer 4	ReLU between each pair of layers, Sigmoid after layer 5	ReLU between each pair of layers, Sigmoid after layer 6
learning rate details	lr=.001	lr=.001	lr=.001
batch size	5	5	5
size of training data	8547 data points (37 pkls)	6006 data points (26 pkls)	12243 data points (53 pkls)
size of testing data	2812 data points	1976 data points	4028 data points
epochs	40	20	50
classifier trained further during NPI training?	no	no	no
Info for Discriminator:			
dims of every layer	153500x25, 25x25, 25x12, 12x12, 12x6, 6x6, 6x1	153500x25, 25x25, 25x12, 12x12, 12x6, 6x6, 6x1	153500x25, 25x25, 25x12, 12x12, 12x6, 6x6, 6x1
layer details	ReLU between each pair of layers, Sigmoid after layer 7	ReLU between each pair of layers, Sigmoid after layer 7	ReLU between each pair of layers, Sigmoid after layer 7
learning rate details	lr=.000001	lr=.000001	lr=.000001
batch size	5	5	5
size of training data	693 data points (3 pkls)	693 data points (3 pkls)	693 data points (3 pkls)
size of testing data	228 data points	228 data points	228 data points
epochs	30	30	50
Info about Data Set:			
context window	10	10	10
number of GPT-2 iterations	10	10	10
GPT-2 model used	small	small	small
GPT-2 layers used	5, 11	5, 11	5, 11
Random seeding	Yes	Yes	Yes

Figure 2: Hyperparameters used for models featured in this paper.

	long-NPI from Table 5	short-NPI from Table 5
Info for NPI:		
dims of every layer	153500x50, 50x50, 50x25, 25x25, 25x25, 25x25, 25x50, 50x50, 50x153500	153500x50, 50x50, 50x25, 25x25, 25x25, 25x50, 50x50, 50x153500
layer details	ReLU between each pair of layers	ReLU between each pair of layers
learning rate details	lr=.000001	lr=.000001
batch size	5	5
size of training data	1899 data points (3 pkls)	1899 data points (3 pkls)
size of testing data	630 data points	630 data points
epochs	10	10
loss coefficients	gamma=3.0, alpha=10.0, beta=1.0	gamma=3.0, alpha=10.0, beta=1.0
Info for Content classifier		
dims of every layer	153500x12, 12x6, 6x3, 3x1	153500x12, 12x6, 6x3, 3x1
layer details	ReLU between each pair of layers, Sigmoid after layer 5	ReLU between each pair of layers, Sigmoid after layer 5
learning rate details	lr=.0000001	lr=.0000001
batch size	5	5
size of training data	25320 data points (40 pkls)	25320 data points (40 pkls)
size of testing data	8400 data points	8400 data points
epochs	100	100
classifier trained further during NPI training?	no	no
Info for Discriminator:		
dims of every layer	153500x25, 25x25, 25x12, 12x12, 12x6, 6x6, 6x1	153500x25, 25x25, 25x12, 12x12, 12x6, 6x6, 6x1
layer details	ReLU between each pair of layers, Sigmoid after layer 7	ReLU between each pair of layers, Sigmoid after layer 7
learning rate details	lr=.000001	lr=.000001
batch size	5	5
size of training data	1899 data points (3 pkls)	1899 data points (3 pkls)
size of testing data	630 data points	630 data points
epochs	10	10
Info about Data Set:		
context window	10	10
number of GPT-2 iterations	10	10
GPT-2 model used	small	small
GPT-2 layers used	2, 9	2, 9
Random seeding	No	No

Figure 3: Hyperparameters used for models featured in this paper.

	"Candidate A"-induction NPI from Appendix 1	"Candidate B"-induction NPI from Appendix 1	"Candidate C"-induction NPI from Appendix 1
Info for NPI:			
dims of every layer	153500x50, 50x50, 50x25, 25x25, 25x25, 25x25, 25x50, 50x50, 50x153500	153500x50, 50x50, 50x25, 25x25, 25x25, 25x25, 25x50, 50x50, 50x153500	153500x50, 50x50, 50x25, 25x25, 25x25, 25x25, 25x50, 50x50, 50x153500
layer details	ReLU between each pair of layers	ReLU between each pair of layers	ReLU between each pair of layers
learning rate details	lr=0.000001	lr=0.000001	lr=0.000001
batch size	5	5	5
size of training data	693 data points (3 pkls)	693 data points (3 pkls)	693 data points (3 pkls)
size of testing data	228 data points	228 data points	228 data points
epochs	70	30	70
loss coefficients	gamma=3.0, alpha=10.0, beta=1.0	gamma=3.0, alpha=10.0, beta=1.0	gamma=3.0, alpha=10.0, beta=1.0
Info for Content classifier			
dims of every layer	153500x12, 12x6, 6x3, 3x1	153500x12, 12x6, 6x3, 3x1	153500x12, 12x6, 6x3, 3x1
layer details	ReLU between each pair of layers, Sigmoid after layer 4	ReLU between each pair of layers, Sigmoid after layer 4	ReLU between each pair of layers, Sigmoid after layer 4
learning rate details	lr=.001	lr=.001	lr=.001
batch size	5	5	5
size of training data	8547 data points (37 pkls)	55440 data points (240 pkls)	49434 data points (214 pkls)
size of testing data	2812 data points	18240 data points	16264 data points
epochs	40	20	16
classifier trained further during NPI training?	no	no	no
Info for Discriminator:			
dims of every layer	153500x25, 25x25, 25x12, 12x12, 12x6, 6x6, 6x1	153500x25, 25x25, 25x12, 12x12, 12x6, 6x6, 6x1	153500x25, 25x25, 25x12, 12x12, 12x6, 6x6, 6x1
layer details	ReLU between each pair of layers, Sigmoid after layer 7	ReLU between each pair of layers, Sigmoid after layer 7	ReLU between each pair of layers, Sigmoid after layer 7
learning rate details	lr=.000001	lr=.000001	lr=.000001
batch size	5	5	5
size of training data	693 data points (3 pkls)	693 data points (3 pkls)	693 data points (3 pkls)
size of testing data	228 data points	228 data points	228 data points
epochs	70	30	70
Info about Data Set:			
context window	10	10	10
number of GPT-2 iterations	10	10	10
GPT-2 model used	small	small	small
GPT-2 layers used	5, 11	5, 11	5, 11
Random seeding	Yes	Yes	Yes

Figure 4: Hyperparameters used for models featured in this paper.

References

- [1] Alec Radford, Jeffrey Wu, Rewon Child, David Luan, Dario Amodei, and Ilya Sutskever. Language models are unsupervised multitask learners. *OpenAI Blog*, 1(8):9, 2019.
- [2] Nitish Shirish Keskar, Bryan McCann, Lav R. Varshney, Caiming Xiong, and Richard Socher. Ctrl: A conditional transformer language model for controllable generation, 2019.
- [3] Daniel Adiwardana, Minh-Thang Luong, David R. So, Jamie Hall, Noah Fiedel, Romal Thoppilan, Zi Yang, Apoorv Kulshreshtha, Gaurav Nemade, Yifeng Lu, and Quoc V. Le. Towards a human-like open-domain chatbot, 2020.
- [4] Tom B. Brown, Benjamin Mann, Nick Ryder, Melanie Subbiah, Jared Kaplan, Prafulla Dhariwal, Arvind Neelakantan, Pranav Shyam, Girish Sastry, Amanda Askell, Sandhini Agarwal, Ariel Herbert-Voss, Gretchen Krueger, Tom Henighan, Rewon Child, Aditya Ramesh, Daniel M. Ziegler, Jeffrey Wu, Clemens Winter, Christopher Hesse, Mark Chen, Eric Sigler, Mateusz Litwin, Scott Gray, Benjamin Chess, Jack Clark, Christopher Berner, Sam McCandlish, Alec Radford, Ilya Sutskever, and Dario Amodei. Language models are few-shot learners, 2020.
- [5] Thomas Wolf, Lysandre Debut, Victor Sanh, Julien Chaumond, Clement Delangue, Anthony Moi, Pierric Cistac, Tim Rault, R’emi Louf, Morgan Funtowicz, and Jamie Brew. Huggingface’s transformers: State-of-the-art natural language processing. *ArXiv*, abs/1910.03771, 2019.
- [6] Kaiming He, Xiangyu Zhang, Shaoqing Ren, and Jian Sun. Deep residual learning for image recognition. *CoRR*, abs/1512.03385, 2015.
- [7] Dzmitry Bahdanau, Kyunghyun Cho, and Yoshua Bengio. Neural machine translation by jointly learning to align and translate, 2014.
- [8] Gao Huang, Zhuang Liu, and Kilian Q. Weinberger. Densely connected convolutional networks. *CoRR*, abs/1608.06993, 2016.
- [9] Tolga Bolukbasi, Kai-Wei Chang, James Y Zou, Venkatesh Saligrama, and Adam T Kalai. Man is to computer programmer as woman is to homemaker? debiasing word embeddings. In D. D. Lee, M. Sugiyama, U. V. Luxburg, I. Guyon, and R. Garnett, editors, *NIPS*, pages 4349–4357. Curran Associates, Inc., 2016.
- [10] Tolga Bolukbasi, Kai-Wei Chang, James Y. Zou, Venkatesh Saligrama, and Adam Tauman Kalai. Quantifying and reducing stereotypes in word embeddings. *CoRR*, abs/1606.06121, 2016.
- [11] Aylin Caliskan, Joanna J Bryson, and Arvind Narayanan. Semantics derived automatically from language corpora contain human-like biases. *Science*, 356(6334):183–186, 2017.
- [12] Nikhil Garg, Londa Schiebinger, Dan Jurafsky, and James Zou. Word embeddings quantify 100 years of gender and ethnic stereotypes. *Proceedings of the National Academy of Sciences*, 115(16):E3635–E3644, 2018.
- [13] William L. Hamilton, Jure Leskovec, and Dan Jurafsky. Diachronic word embeddings reveal statistical laws of semantic change. *CoRR*, abs/1605.09096, 2016.