

Exploiting Contrastive Learning and Numerical Evidence for Confusing Legal Judgment Prediction

Leilei Gan¹, Baokui Li¹, Kun Kuang^{1*}, Yating Zhang², Lei Wang³,
Luu Anh Tuan⁴, Yi Yang¹ and Fei Wu^{156*}

¹Zhejiang University ²Alibaba Group ³University of Massachusetts at Amherst

⁴Nanyang Technological University ⁵Shanghai AI Laboratory

⁶Shanghai Institute for Advanced Study of Zhejiang University

{leileigan, libaokui}@zju.edu.cn ranran.zyt@alibaba-inc.com anhtuan.luu@ntu.edu.sg

Abstract

Given the fact description text of a legal case, legal judgment prediction (LJP) aims to predict the case’s charge, applicable law article, and term of penalty. A core challenge of LJP is distinguishing between confusing legal cases that exhibit only subtle textual or number differences. To tackle this challenge, in this paper, we present a framework that leverages MoCo-based supervised contrastive learning and weakly supervised numerical evidence for confusing LJP. Firstly, to make the extraction of numerical evidence (the total crime amount) easier, the framework proposes to formalize it as a named entity recognition task. Secondly, the framework introduces the MoCo-based supervised contrastive learning for multi-task LJP and explores the best strategy to construct positive example pairs to benefit all three subtasks of LJP simultaneously. Extensive experiments on real-world datasets show that the proposed method achieves new state-of-the-art results, particularly for confusing legal cases. Additionally, ablation studies demonstrate the effectiveness of each component¹.

1 Introduction

Legal judgment prediction (LJP) is one of the most attractive research topics among legal artificial intelligence (Cui et al., 2022; Feng et al., 2022a; Zhong et al., 2020). Given the fact description text of a legal case, LJP aims to predict its charge, applicable law article, and term of penalty (Aletras et al., 2016; Zhong et al., 2018; Yang et al., 2019; Chalkidis et al., 2019; Gan et al., 2021a; Lyu et al., 2022; Liu et al., 2023; Zhang et al., 2023).

One core problem hindering the performance of LJP from being satisfying is confusing legal cases, which have subtle text or number differences, but

¹Our code is available at <https://github.com/leileigan/ContrastiveLJP>.

*Corresponding Author.

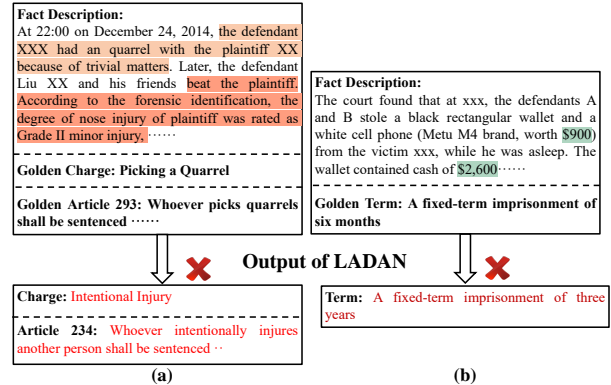


Figure 1: Two examples of confusing legal cases. Figure 1 (a) shows an example whose golden charge label is *Crime of Picking a Quarrel*, which is easily classified into its confusing charge *Crime of Intention Injury*. Figure 1 (b) shows an erroneous prediction of the term of penalty, which does not exploit the amounts related to the crime.

with totally different charges, applicable law articles, or terms of penalty. Figure 1 shows two examples of confusing legal cases. Figure 1 (a) shows an example whose golden charge label is *Crime of Picking a Quarrel*, which is easily classified into its confusing charge *Crime of Intention Injury*. Figure 1 (b) shows an erroneous prediction of the term of penalty, which does not exploit the amounts related to the crime. A series of studies on this problem has been conducted, including manually discriminative legal attributes annotation (Hu et al., 2018), distinguishing representations learning via graph neural networks (Xu et al., 2020), and separating the fact description into different circumstances for different subtasks (Yue et al., 2021).

However, we argue that there exist two drawbacks to these studies. Firstly, all of these studies use a standard cross-entropy classification loss, which cannot distinguish different mistaken classification errors. For example, the error of classifying the charge *Crime of Picking a Quarrel* into its confusing charge *Crime of Intention Injury* is the same

as classifying *Crime of Picking a Quarrel* into a not confusing charge *Crime of Rape*. The model should be punished more if it classifies a charge into its corresponding confusing charges. Secondly, the crime amounts in the fact description are crucial evidence for predicting the penalty terms of certain types of cases, such as financial legal cases. However, the crime amounts are distributed randomly throughout the fact description. Thus it is difficult for the model to directly deduce the precise total crime amount and predict correct penalty terms based on the scattered numbers.

To tackle these issues, we present a framework that leverages numerical evidence and moment contrast-based supervised contrastive learning for confusing LJP. Firstly, the framework proposes to extract numerical evidence (the total crime amount) from the fact description as a named entity recognition (NER) task for predicting the term of the penalty, where the recognized numbers make up the total crime amount. This formulation is able to address the difficulty of directly deducing the precise total crime amount from the fact description where the numbers are scattered randomly throughout and only some of them are part of the crime amount, while others are not. Then, the extracted numerical evidence is infused into the term of penalty prediction model while preserving its numeracy, which is achieved by a pre-trained number encoder model (Sundararaman et al., 2020).

Secondly, in order to pull fact representations from the same class closer and push apart fact representations from confusing charges, the framework introduces the moment contrast-based supervised contrastive learning (SCL; (Khosla et al., 2020; Gunel et al., 2020; Suresh and Ong, 2021)) and explores the best strategy to construct positive example pairs to benefit all three subtasks of LJP simultaneously. The proposed moment contrast-based SCL addresses two challenges to applying the original in-batch SCL to LJP. The first challenge is that the number of charge classes is significantly greater than the number studied in previous studies (Gunel et al., 2020) (e.g., 119 classes for charge prediction), which increases the difficulty of finding sufficient negative examples in the mini-batches. To address it, we introduce a momentum update queue with a large size for SCL, which allows for providing sufficient negative examples. The second challenge is when applying the original single-task SCL to the multi-task LJP there

exists a *Contradictory Phenomenon*. *Contradictory Phenomenon* means that instances with the same charge label may have different applicable law or penalty term labels. If we pair the training instances with the same charge label as positive examples, the resulting learned shared features will benefit the charge prediction task but will degrade the performance of the other two tasks. To tackle this challenge, we explore the best way to construct positive examples, which can benefit all three subtasks of LJP simultaneously.

The proposed framework provides the following merits for predicting confusing LJP: 1) the framework is model-agnostic, which can be used to improve any existing LJP models; 2) the extracted numerical evidence makes the predictions of the term of penalty more interpretable, which is critical for legal judgment prediction; 3) compared with previous studies (Hu et al., 2018), the use of supervised contrastive learning does not require additional manual annotation.

We conduct extensive experiments on two real-world datasets (i.e., CAIL-Small and CAIL-Big). The experimental results demonstrate that the proposed framework achieves new state-of-the-art results, obtaining up to a 1.6 F1 score improvement for confusing legal cases and a 3.73 F1 score improvement for numerically sensitive legal cases. Ablation studies also demonstrate the effectiveness of each component of the framework.

2 Related Work

2.1 Legal Judgment Prediction

In recent years, with the increasing availability of public benchmark datasets (Xiao et al., 2018a; Feng et al., 2022b) and the development of deep learning, LJP has become one of the hottest topics in legal artificial intelligence (Yang et al., 2019; Zhong et al., 2020; Gan et al., 2021b; Cui et al., 2022; Feng et al., 2022a; Lyu et al., 2022). Our work focuses on confusing legal judgment prediction, which is a typical difficulty in LJP. To solve this challenge, Hu et al. (2018) manually annotates discriminative attributes for legal cases and generates attribute-aware representations for confusing charges by attention mechanism. LADAN (Xu et al., 2020) extracts distinguishable features for law articles by removing similar features between nodes through a graph neural network-based operator. NeurJudge (Yue et al., 2021) utilizes the results of intermediate subtasks to separate the fact de-

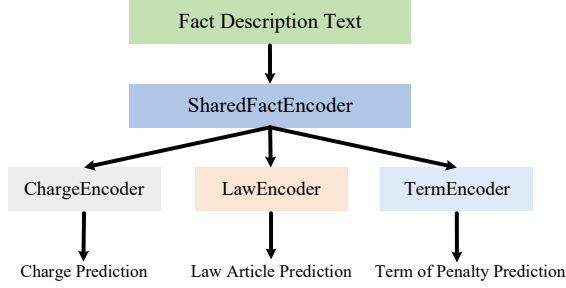


Figure 2: The multi-task learning framework of legal judgment prediction.

scription into different circumstances and exploits them to make the predictions of other subtasks.

2.2 Contrastive Learning

The purpose of contrastive learning (Chopra et al., 2005) is to make similar examples closer together and dissimilar examples further apart in the feature space. Contrastive learning has been widely explored for self-supervised/unsupervised representation learning (Wu et al., 2018; Hjelm et al., 2018; Bachman et al., 2019; Chen et al., 2020; He et al., 2020; Nguyen and Luu, 2021; Wu et al., 2022). Recently, several studies have extended contrastive learning to supervised settings (Gunel et al., 2020; Khosla et al., 2020; Suresh and Ong, 2021; Zhang et al., 2022; Nguyen et al., 2022), where examples belonging to the same label in the mini-batch are regarded as positive examples to compute additional contrastive losses. In contrast to previous studies, we present a framework that leverages MoCo-based supervised contrastive learning and numerical evidence, which is neglected by earlier studies for confusing LJP.

3 Background

In this section, we formalize the LJP task and its multi-task learning framework.

3.1 Problem Formulation

Let $f = \{s_1, s_2, \dots, s_N\}$ denote the fact description of a case, where sentence $s_i = \{w_1, w_2, \dots, w_M\}$ contains M words, and N is the number of sentences. Given a fact description f , the LJP task aims at predicting its charge $y_c \in \mathbb{C}$, applicable law article $y_l \in \mathbb{L}$ and term of penalty $y_t \in \mathbb{T}$.

3.2 Multi-Task Learning Framework of LJP

While previous studies have designed various neural architectures for LJP, these models can be boiled

down to the following multi-task learning framework as shown in Figure 2. Specifically, firstly, a shared fact encoder is used to encode f into basic legal document representations.

$$\mathbf{H}_f = \text{SharedFactEncoder}(F) \quad (1)$$

The *SharedFactEncoder* could be Long-Short Term Memory Network (LSTM; (Hochreiter and Schmidhuber, 1997)) or pre-trained language models, e.g., BERT (Devlin et al., 2019).

Secondly, in order to learn task-specific representations for each subtask (Zhong et al., 2018; Yue et al., 2021), different private encoders are built upon the basic shared encoder (Zhong et al., 2018; Yue et al., 2021). Specifically, we denote *ChargeEncoder*, *LawEncoder* and *TermEncoder* as corresponding private encoders for the three subtasks as follows.

$$\mathbf{H}_c = \text{ChargeEncoder}(\mathbf{H}_f) \quad (2)$$

$$\mathbf{H}_l = \text{LawEncoder}(\mathbf{H}_f) \quad (3)$$

$$\mathbf{H}_t = \text{TermEncoder}(\mathbf{H}_f) \quad (4)$$

Thirdly, based on these task-specific representations, different classification heads (e.g., multi-layer perceptron) and cross-entropy classification loss are used to compute the losses (i.e., l_c, l_l, l_t) for the three tasks. The training objective is the sum of each task’s loss as follows:

$$l_{ce} = l_c + l_l + l_t \quad (5)$$

4 Methodology

4.1 Overview

Fig 3(a) provides an overview of the proposed framework. Given a fact description f , on one hand, a well-trained BERT-CRF-based named entity recognition model is used to extract the total crime amount from f as numerical evidence, which is then encoded into representations for predicting the term of the penalty of f . On the other hand, a Moco-based supervised contrastive learning for LJP and two strategies for constructing positive example pairs are introduced to compute the contrastive loss. The final training loss is the weighted sum of the contrastive loss and three standard cross-entropy classification losses of subtasks.

4.2 Numerical Evidence for Term of Penalty Prediction

Numerical Evidence Extraction as NER. In the LJP datasets, there is no explicit total crime amount

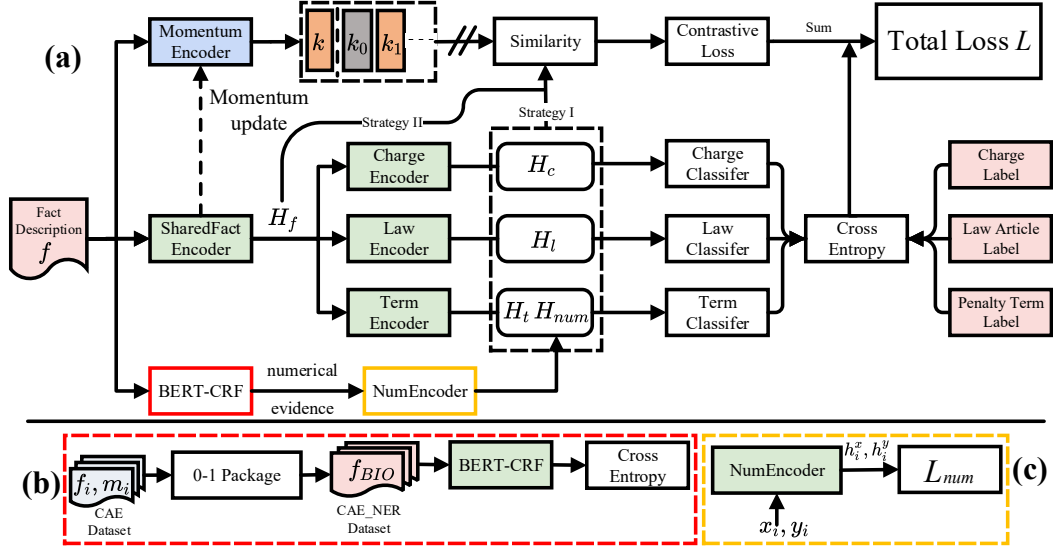


Figure 3: (a) Overview of the proposed framework. (b) Illustration of the training process of the numerical evidence extraction model. (c) Pre-training of the number encoder.

provided for each instance. To address this, we propose to formalize the calculation of the total crime amount as a Named Entity Recognition (NER) task, where the scattered numbers in the fact description that are part of the total crime amount will be recognized as named entities. Then, the sum of the recognized numbers is regarded as the final crime amount. The reason for this formalization is that recognizing which numbers are part of the crime amount is easier than directly computing the total crime amount from the fact description. Fig 3(b) illustrates the training process.

Specifically, we train the numerical extraction model on the dataset used for the Crime Amount Extraction (CAE) task². To train the NER model, given an instance (f, T) in CAE, where f and T denote fact description and crime amount, respectively, we need to convert each instance into the NER format. To reduce expensive manual annotation costs, we propose a 0-1 knapsack algorithm to automatically label named entities in f . The 0-1 knapsack algorithm finds a set of sentences from f , where the sum of their numbers equals the crime amount T . Then the numbers in the selected sentences are labeled as named entities. Algorithm 1 illustrate this construction process. Figure 6 shows an example of converting an instance in CAE into the NER format. The converted dataset is named CAE-NER, based on which we train the state-of-the-art BERT-CRF NER model, referred to as the numerical evidence extraction model.

Now, each instance in the LJP dataset can obtain

²<http://data.court.gov.cn/pages/laic2021.html>

Algorithm 1: The 0-1 knapsack algorithm used for automatically constructing the CAE-NER dataset.

Input : Fact description $f = \{(s_i, m_i)\}_{i=1}^N$, crime amount T

Output : Selected sentences \mathbb{E}

```

1 Function BinarySelect( $f, T, j$ ):
   /* Select a set of sentences, the sum
   of their crime amount is  $T$  */
2 for  $i \leftarrow j$  to  $N$  do
3   if  $m_i < T$  then
4     if BinarySelect( $f, T - m_i, j + 1$ )
5       then
6          $\mathbb{E} = \mathbb{E} \cup \{s_i\}$ 
7         return True
8     end
9   else if  $m_i == T$  then
10     $\mathbb{E} = \mathbb{E} \cup \{s_i\}$ 
11    return True
12  end
13 end
14 return  $\mathbb{E}$ 
15 end
16  $\mathbb{E} = \text{BinarySelect}(f, T, 0)$ 
17 return  $\mathbb{E}$ 

```

a pseudo crime amount label m annotated by the well-trained numerical evidence extraction model, denoted as a five-tuple (f, y_c, y_l, y_t, m) .

Numerical Evidence Encoder. Given the extracted numerical evidence, we need a numerical evidence encoder (NumEncoder) that should be capable of encoding the numerical evidence into hidden representations while preserving its numerical significance. To achieve this, we propose to pre-train NumEncoder with the following principle: the

cosine similarity of the learned representations of a pair of numbers should have a linear relationship with respect to their numerical distance. Fig 3(c) illustrates the training process of NumEncoder.

Specifically, given an automatically generated training data $\mathbb{D}_{\text{num}} = \{(x_i, y_i)\}_{i=1}^N$, where (x_i, y_i) represents a pair of numbers, we use the following training objective ℓ_{num} to optimize the parameters of the LSTM-based NumEncoder:

$$\mathbf{x}_i = \text{NumEncoder}(x_i) \quad (6)$$

$$\mathbf{y}_i = \text{NumEncoder}(y_i) \quad (7)$$

$$\ell_{\text{num}} = \left\| \frac{2|x_i - y_i|}{|x_i| + |y_i|} - \cos(\mathbf{x}_i, \mathbf{y}_i) \right\| \quad (8)$$

where \cos represents the cosine distance function.

Infusing Numerical Evidence for Predicting the Term of Penalty. Lastly, we infuse the representations of the numerical evidence into the term of the penalty prediction model. Specifically, given a training instance (f, y_c, y_l, y_t, m) , its numerical evidence m is encoded by the pre-trained number encoder and then is fused into the term of penalty prediction head as follows:

$$\mathbf{H}_m = \text{NumEncoder}(m) \quad (9)$$

$$\ell_t = \text{CrossEntropy}(\text{MLP}([\mathbf{H}_t; \mathbf{H}_m]), y_t) \quad (10)$$

where $[\cdot]$ denotes the concatenation operation.

4.3 MoCo-based Supervised Contrastive Learning for Confusing Judgment Prediction

To address the challenges of large class numbers and the multi-task learning nature of LJP when applying the original in-batch SCL, we introduce the momentum contrast (MoCo) (He et al., 2020) based SCL. Furthermore, we explore the best way to construct positive examples so that they can benefit all three subtasks of LJP simultaneously.

Firstly, we propose to augment the standard in-batch SCL with a large-sized momentum update queue (He et al., 2020), allowing for providing sufficient samples for computing the contrastive loss. Specifically, we maintain one feature queue \mathcal{Q} and one label queue \mathcal{L} to store sample features and corresponding labels. For each example $\langle e_i, l_i \rangle$ in the mini-batch \mathcal{I} , we select positive and negative samples from \mathcal{Q} based on the labels in \mathcal{L} to compute

the supervised contrastive loss as follows:

$$\ell_{\text{sup}} = \sum_{i \in \mathcal{I}} -\frac{1}{|P(i)|} \sum_{p \in P(i)} \log \frac{\exp(q_i \cdot k_p / t)}{\sum_{a \in A(i)} \exp(q_i \cdot k_a / t)} \quad (11)$$

where $P(i) = \{t | y_t = y_i, t \in \mathcal{L}\}$ and $A(i) = \{t | t \in \mathcal{L}\}$. q_i is the query feature encoded by a query encoder $f_q(\cdot; \theta_q)$. k_p, k_a in \mathcal{Q} are the key features encoded by a key encoder $f_k(\cdot; \theta_k)$. θ_k are smoothly updated as follows:

$$\theta_k \leftarrow m\theta_{k-1} + (1 - m)\theta_q \quad (12)$$

where m is the momentum coefficient. Samples in \mathcal{Q} and \mathcal{L} are progressively replaced by the current mini-batch following a first-in-first-out strategy. In the ablation section, this MoCo-based SCL shows advantages over the standard in-batch SCL.

Next, we explore two strategies to construct positive example pairs to address the multi-task learning challenge of LJP.

Strategy I. A straightforward strategy is to compute a contrastive loss for each subtask of LJP, and then sum them into one loss. Formally, three feature queues, i.e., $\mathcal{Q}^c, \mathcal{Q}^l$ and \mathcal{Q}^t , are used to store task-specific feature, i.e., $\mathbf{H}_c, \mathbf{H}_l$ and \mathbf{H}_t . Three label queues, i.e., $\mathcal{L}^c, \mathcal{L}^l$ and \mathcal{L}^t are used to store subtask labels, i.e., y_c, y_l and y_t . The overall contrastive loss is defined as follows:

$$\ell_{\text{cl}} = \alpha \ell_{\text{sup}}^c + \beta \ell_{\text{sup}}^l + \theta \ell_{\text{sup}}^t \quad (13)$$

where $\ell_{\text{sup}}^c, \ell_{\text{sup}}^l$ and ℓ_{sup}^t are contrastive losses for each subtask computing by Eq. 11. The final training objective of Strategy I is defined by:

$$\ell = \ell_{\text{ce}} + \ell_{\text{cl}} \quad (14)$$

Strategy II. When closely examining Eq. 13, we can observe the *Contradictory Phenomenon* as discussed in Sec. 1. In Strategy I, $\ell_{\text{sup}}^{\text{task}}$ treats instances with the same subtask labels (e.g., charge labels) as positive examples. However, these instances may have different other subtasks labels (e.g., applicable law labels or term of penalty labels). As a result, $\ell_{\text{sup}}^{\text{task}}$ will force the *SharedFactEncoder* to learn features that benefit one subtask but degrade the performance of the other two tasks.

To solve this problem, we propose to view the instances whose three subtask labels are all the same as positive examples and impose the MoCo-based SCL on the shared features \mathbf{H}_f . Specifically, we use a feature queue \mathcal{Q}^B to store the shared features \mathbf{H}_f , and three label queues $\mathcal{L}^c, \mathcal{L}^l$ and \mathcal{L}^t to store three subtask labels. Then the positive

Dataset	CAIL-Small	CAIL-Big	CAE
#Training Set Cases	101,619	1,588,381	3275
#Validation Set Cases	13,769	13,769	273
#Test Set Cases	26,749	185,290	500
#Charges	119	134	-
#Law Articles	103	121	-
#Term of Penalty	11	11	-

Table 1: Statistics of the used legal judgment prediction datasets (CAIL-Small and CAIL-Big) and Crime Amount Extraction (CAE) dataset.

samples set for sample i is denoted as $P(i) = \{q | \mathcal{L}^c(q) = y_i^c, \mathcal{L}^l(q) = y_i^l, \mathcal{L}^t(q) = y_i^t, q \in \mathcal{Q}^B\}$ where $\mathcal{L}^{\text{task}}(q)$ denotes the label of index q in each task label queue. Based on $P(i)$, we can use Eq. 11 to compute the contrastive loss, denote as ℓ_{sup}^B . Strategy II is able to address the *Contradictory Phenomenon* in Strategy I and improve the performance of all three subtasks.

The final training objective of Strategy II is defined by:

$$\ell = \ell_{ce} + \lambda \ell_{sup}^B \quad (15)$$

where λ is a hyperparameter.

5 Experiments

5.1 Datasets

To evaluate the effectiveness of our framework, we conduct experiments on two real-world datasets (i.e., CAIL-Small and CAIL-Big) (Xiao et al., 2018b). Each instance in both datasets contains one fact description, one applicable law article, one charge, and one term of penalty. To ensure a fair comparison, we use the code released by (Xu et al., 2020) to process the data. All models are trained on the same dataset. The crime Amount Extraction (CAE) dataset is also a real-world dataset from the Chinese Legal AI challenge³. Table 1 shows the statistics of the used datasets.

To specifically evaluate our framework on confusing legal cases, we define a set of confusing and number-sensitive charges. Due to page limitations, the details and statistics of these charges definitions are listed in Table 9 in the Appendix

5.2 Implementation Details

We follow (Xu et al., 2020) to conduct data pre-processing. The THULAC⁴ tool is used to segment Chinese into words. The word embedding layer in the neural network is initialized by pre-train

³<http://data.court.gov.cn/pages/laic2021.html>

⁴<https://github.com/thunlp/THULAC>

Methods	Charges F1	Articles F1	Term F1
LADAN	82.42	75.87	34.28
LADAN+I	82.77	76.40	34.43
LADAN+II	83.83	77.04	35.71
LADAN+I+II	83.47	77.38	35.77

Table 2: Effects of different supervised contrastive learning strategies.

word embeddings provided by (Zhong et al., 2018). More training details about the BERT-CRF NER model, the LJP model, and the NumberEncoder model can refer to Table 8 in the Appendix.

5.3 Baselines

We compare our framework with the following state-of-the-art baseliens: **HARNN** (Yang et al., 2016), **LADAN** (Xu et al., 2020), **Neur-Judge+** (Yue et al., 2021), **CrimeBERT** (Zhong et al., 2019). The details of these baselines are left in the Appendix.

5.4 Development Experiments

To empirically evaluate which strategy is better for performing SCL for multi-task LJP, we conduct development experiments on CAIL-small using the LADAN backbone. The results are listed in Table 2. As can be observed, firstly, both Strategy I and II lead to improvements in LADAN’s performance across the three subtasks. However, the gains of Strategy I is much smaller than those of Strategy II, which verifies the existence of *Contradictory Phenomenon* in Strategy I. Furthermore, we also explore the effect of combining these two strategies, i.e., using $\ell_{cl} + \ell_B$ as the supervised contrastive loss. As seen, the improvement of this combination is not significant.

Consequently, in the remaining experiments, we adopt Strategy II as the contrastive loss, unless otherwise specified. The final method combined the MoCo-based SCL and numerical evidence is denoted as **NumSCL**.

5.5 Main Results

To evaluate the effectiveness of the proposed framework, we augment each baseline with **NumSCL** and conduct experiments on the CAIL-Small and CAIL-Big datasets. Due to the expensive training cost and the large size of the training dataset, we did not evaluate CrimeBERT on CAIL-Big following (Yue et al., 2021). The results are listed in Table 3 and Table 4.

Tasks	Charges				Law Articles				Term of Penalty			
	Acc.	MP	MR	F1	Acc.	MP	MR	F1	Acc.	MP	MR	F1
HARNN	84.54	82.56	82.94	82.26	80.09	76.46	77.69	75.95	38.38	36.12	33.99	34.32
w/NumSCL	85.26	83.93	83.76	83.39	81.07	77.95	78.52	77.11	39.18	37.32	34.50	35.03
LADAN _{MTL}	84.90	82.55	83.26	82.42	80.38	75.84	77.84	75.67	38.21	35.95	34.01	34.28
w/NumSCL	85.37	83.91	84.04	83.57	81.32	78.06	78.59	77.24	39.38	37.95	35.23	35.95
NeurJudge ⁺	83.25	82.11	81.69	81.3	80.95	77.93	78.59	77.00	37.88	37.20	33.82	34.92
w/NumSCL	84.45	83.30	83.55	82.88	81.12	78.10	78.98	77.32	39.65	39.48	34.65	36.22
CrimeBERT	86.61	85.04	84.72	84.51	82.33	79.38	79.72	78.46	39.34	38.66	35.48	36.58
w/NumSCL	85.91	85.71	85.98	85.54	82.63	80.10	80.88	79.50	39.72	38.50	35.84	36.67

Table 3: Main results on CAIL-Small. Acc., MP, and MR are short for accuracy, macro precision, and macro recall, respectively.

Tasks	Charges				Law Articles				Term of Penalty			
	Acc.	MP	MR	F1	Acc.	MP	MR	F1	Acc.	MP	MR	F1
HARNN	96.48	88.10	83.54	85.34	96.54	84.88	79.42	81.40	60.30	51.08	47.47	48.79
w/NumSCL	96.55	88.84	83.96	85.82	96.60	86.63	81.16	82.99	60.20	52.18	47.50	49.06
LADAN _{MTL}	96.56	88.58	84.17	85.95	96.61	86.40	80.46	82.52	60.44	51.56	48.67	49.78
w/NumSCL	96.65	89.34	84.57	86.49	96.71	87.60	81.74	83.68	60.56	51.85	48.86	49.81
NeurJudge ⁺	95.48	85.57	79.55	81.49	96.26	85.78	81.38	82.80	58.40	49.67	43.32	44.90
w/NumSCL	95.73	86.37	80.88	82.58	96.20	85.48	81.56	82.78	58.40	49.10	43.54	45.43

Table 4: Main results on CAIL-Big. Acc., MP and MR are short for accuracy, macro precision, and macro recall, respectively.

From Table 3 and Table 4, we make the following observations. Firstly, the proposed framework can improve all the baselines and achieve new state-of-the-art results on the two datasets. Specifically, on CAIL-Small, the absolute improvements reach up to 1.15, 1.57, and 1.67 F1 scores for the charge, law article, and term of penalty predictions, respectively. Secondly, on CAIL-Big, the gains are smaller, giving absolute improvements of 0.54, 1.16, and 0.53 F1 scores for the charge, law article, and term of penalty predictions, respectively. Thirdly, we observe that on CAIL-Big, NeurJudge⁺ gives worse performance than the other baselines. We hypothesize that the complex neural network architecture of NeurJudge⁺ may lead to overfitting on the CAIL-Big dataset. Lastly, for CrimeBERT, our framework can still obtain an absolute improvement of 1.03 and 1.04 F1 scores for charge and law article predictions. The overall gain on the term of penalty prediction is slight, however, when specifically evaluating number-sensitive legal cases, the improvement can still be up to a 1.79 F1 score, as shown in Table 5.

5.6 Ablation Studies

Effect of Numerical Evidence for Number-Sensitive Legal Cases. To examine the effect of numerical evidence for predicting the term of penalty, we conduct ablative experiments. As

Models	Acc.	F1	Num. F1
HARNN	38.38	34.32	28.13
w/ SCL	38.62	34.45	28.24(↑ 0.11)
w/ NumSCL	39.18	35.03	29.15(↑ 1.02)
LADAN _{MTL}	38.21	34.28	26.83
w/ SCL	39.50	35.71	28.54(↑ 1.71)
w/ NumSCL	39.38	35.95	30.56(↑ 3.73)
NeurJudge ⁺	37.88	34.92	27.30
w/ SCL	38.11	34.96	27.35(↑ 0.05)
w/ NumSCL	39.65	36.22	29.03(↑ 1.73)
CrimeBERT	39.34	36.58	28.57
w/ SCL	39.71	36.48	28.99(↑ 0.42)
w/ NumSCL	39.68	36.66	30.36(↑ 1.79)

Table 5: Effects of the proposed method on the term of penalty prediction of number-sensitive legal cases. Num. F1 is the F1 score on the defined number-sensitive charges.

shown in Table 5, the improvement of MoCo-based SCL only is relatively tiny, only giving 0.11 and 0.05 F1 score improvements for HARNN and NeurJudge⁺ on number-sensitive legal cases. However, when the models are further provided with the extracted numerical evidence, the F1 scores of all the baselines have a considerable boost. In particular, LADAN_{MTL} obtains a 3.73 F1 score improvement on number-sensitive cases. These results show that the extracted crime amount is more beneficial for number-sensitive legal cases.

Effect of Contrastive Learning for Confusing Charges. We conduct experiments to validate the

Models	Acc.	F1	Conf. F1
HARNN	84.54	82.26	75.60
w/ NumSCL	85.26	83.39	77.19 (\uparrow 1.59)
LADAN _{MTL}	84.90	82.42	75.29
w/ NumSCL	85.37	83.57	76.76 (\uparrow 1.47)
NeurJudge ⁺	83.25	81.30	73.42
w/ NumSCL	84.45	82.88	75.97(\uparrow 2.55)

Table 6: Effects of the proposed method on the charge prediction of confusing legal cases. Conf. F1 is the F1 score on the defined confusing charges.

Models	Charge F1	Law F1	Term F1
LADAN	82.42	75.67	34.28
LADAN _{SCL}	83.18	76.24	36.12
LADAN _{NumSCL}	83.57	77.24	35.95

Table 7: Effect of momentum contrast queue.

effect of contrastive learning for predicting charges, particularly confusing charges. As shown in Table 6, the absolute F1 score improvements of confusing charges are greater than those of the overall charges. For example, NeurJudge⁺ obtains an absolute 2.55 F1 score improvement on confusing charges, which demonstrates the effectiveness of the moco-based SCL in learning distinguishable representations for confusing charges.

Effect of Momentum Contrast Queue. We utilize LADAN as the backbone for comparing NumSCL with the in-batch SCL(SCL) which takes the current mini-batch as the lookup dictionary to compute the contrastive loss. The in-batch SCL is trained using the same parameters as the MoCo-based SCL. As depicted in Table 7, the in-batch SCL yields superior results when combined with LADAN but underperforms NumSCL in charge and law article prediction tasks. This highlights the advantage of employing a large queue as the lookup dictionary in SCL. We also observe that the performance of the term of penalty is not significantly affected by the choice of the lookup dictionary. This observation aligns with the previous finding that the extracted numerical evidence is more beneficial than SCL for the term of penalty prediction.

Effect of λ . We carry out experiments to verify the impact of λ in Eq.15. As illustrated in Figure 5, with the increasing of λ , the performance of charge and law article predictions correspondingly improves. We also observe a fluctuation in the term of penalty prediction, again showing that the extracted numerical evidence plays a more significant role than SCL for predicting the term of penalty.

Example 1
Fact Descriptions: At XXX, the defendant XXX fought with the victim XXX due to trivial matters in a market in XXX Town, XXX City, and wanted to take revenge on the victim XXX. At XXX of the same year, the defendant XXX gathered three people including XXX, XXX and XXX, and fled to the open-air parking lot next to a market. The defendant XXX slashed the victim XXX's right arm with a watermelon knife, then they fled the scene. According to the forensic identification, the victim XXX suffered minor injuries.....
Golden Charge: Crime of Picking a Quarrel;
Golden Law Article: 34; Golden Term of Penalty: 6
LADAN_{MTL}: Crime of Intention Injury; Law Article 34; Term of Penalty: 4
LADAN_{MTL}+NumSCL: Crime of Picking a Quarrel; Law Article 34; Term of Penalty: 6
Example 2
Fact Descriptions: From XXX to XXX, the defendant XXX committed three thefts in XXX City. 1. At XXX, 2015, the defendant XXX stole a "Dayang brand" electric tricycle worth \$5,600 from the victim XXX. 2. On XXX, 2015, the defendant XXX stole a "Dayang" electric tricycle worth \$4,800 from the victim XXX in XXX city. 3. At XXX, 2016, the defendant XXX stole a electric vehicle battery from the victim XXX, but was discovered and attempted.
Golden Charge: Crime of Theft;
Golden Law Article: 32; Golden Term of Penalty: 7
LADAN_{MTL}: Crime of Theft; Law Article 56; Term of Penalty:9
LADAN_{MTL}+NumSCL: Crime of Theft; Law Article 56; Term of Penalty: 7; Extracted Crime Amount: \$10,400

Figure 4: Qualitative examples to demonstrate the effect of the proposed framework.

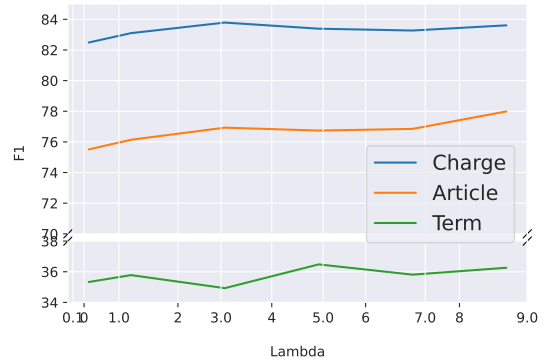


Figure 5: The impact of λ in Eq.15 for the three subtasks of LJP.

6 Case Studies

Figure 4 shows two cases to qualitatively demonstrate the effect of the proposed framework. In the first case, LADAN_{MTL} incorrectly predicts the case's charge into its confusing charge *Crime of Intentional Injury*, which should be *Crime of Picking a Quarrel*. However, with the proposed framework, this error is corrected. The second case demonstrates the effect of numerical evidence. LADAN_{MTL} incorrectly predicts the case's term of penalty as label 9, meaning a sentence of fewer than 6 months. Given the accurately extracted crime amount of \$10,400, which is a relatively large crime amount, the model correctly predicts

the term of penalty as label 7, meaning a sentence of more than 9 months but less than 12 months.

7 Conclusion

In this paper, we present a framework that introduces MoCo-based supervised contrastive learning and weakly supervised numerical evidence for confusing legal judgment prediction. The framework is capable of automatically extracting numerical evidence for predicting number-sensitive cases and learning distinguishable representations to benefit all three subtasks of LJP simultaneously. Extensive experiments validate the effect of the framework.

Limitations

While the used 0-1 knapsack algorithm enjoys the merit of automatically constructing a training dataset for building the NER model, it cannot accurately calculate the crime amount when the suspects return some properties to the victims as the returned properties should be subtracted from the amount of the crime. More sophisticated techniques could be developed to calculate the amount of crime more precisely.

Our LJP research focuses on Chinese legal documents under the jurisdiction of the People’s Republic of China. While the framework was developed and tested specifically for the 3-task Chinese Legal Judgment Prediction (LJP), we believe the underlying methodology could be generalized and applied to other LJP tasks, even those from different jurisdictions. However, this would likely require modifications to account for the unique characteristics and complexities of each jurisdiction’s legal system. We will leave this for future work.

Ethical Concerns

Due to the sensitive nature of the legal domain, applying artificial intelligence technology to the legal field should be carefully treated. In order to alleviate ethical concerns, we undertake the following initiatives. First, to prevent the risk of leaking personal private information from the evaluated real-world datasets, sensitive information, such as names of individuals and locations, has been anonymized. Second, we suggest the predictions generated by our model should serve as supportive references to assist judges in making judgments more efficiently, rather than solely determining the judgments.

Acknowledgements

This work was supported in part by National Key Research and Development Program of China (2022YFC3340900), National Natural Science Foundation of China (62376243, 62037001), the StarryNight Science Fund of Zhejiang University Shanghai Institute for Advanced Study (SN-ZJU-SIAS-0010), Project by Shanghai AI Laboratory (P22KS00111), Program of Zhejiang Province Science and Technology (2022C01044), the Fundamental Research Funds for the Central Universities (226-2022-00142, 226-2022-00051).

References

- Nikolaos Aletras, Dimitrios Tsarapatsanis, Daniel Preoŕuc-Pietro, and Vasileios Lampos. 2016. Predicting judicial decisions of the european court of human rights: A natural language processing perspective. *PeerJ Computer Science*, 2:e93.
- Philip Bachman, R Devon Hjelm, and William Buchwalter. 2019. Learning representations by maximizing mutual information across views. *Advances in neural information processing systems*, 32.
- Ilias Chalkidis, Ion Androustopoulos, and Nikolaos Aletras. 2019. Neural legal judgment prediction in english. In *Proceedings of the 57th Annual Meeting of the Association for Computational Linguistics*, pages 4317–4323.
- Ting Chen, Simon Kornblith, Mohammad Norouzi, and Geoffrey Hinton. 2020. A simple framework for contrastive learning of visual representations. In *International conference on machine learning*, pages 1597–1607. PMLR.
- Sumit Chopra, Raia Hadsell, and Yann LeCun. 2005. Learning a similarity metric discriminatively, with application to face verification. In *2005 IEEE Computer Society Conference on Computer Vision and Pattern Recognition (CVPR 2005), 20-26 June 2005, San Diego, CA, USA*, pages 539–546. IEEE Computer Society.
- Junyun Cui, Xiaoyu Shen, Feiping Nie, Zheng Wang, Jinglong Wang, and Yulong Chen. 2022. A survey on legal judgment prediction: Datasets, metrics, models and challenges. *arXiv preprint arXiv:2204.04859*.
- Jacob Devlin, Ming-Wei Chang, Kenton Lee, and Kristina Toutanova. 2019. Bert: Pre-training of deep bidirectional transformers for language understanding. In *Proceedings of the 2019 Conference of the North American Chapter of the Association for Computational Linguistics: Human Language Technologies, Volume 1 (Long and Short Papers)*, pages 4171–4186.

- Yi Feng, Chuanyi Li, and Vincent Ng. 2022a. Legal judgment prediction: A survey of the state of the art. In *Proceedings of the Thirty-First International Joint Conference on Artificial Intelligence, IJCAI-22*, pages 5461–5469. International Joint Conferences on Artificial Intelligence Organization. Survey Track.
- Yi Feng, Chuanyi Li, and Vincent Ng. 2022b. Legal judgment prediction via event extraction with constraints. In *Proceedings of the 60th Annual Meeting of the Association for Computational Linguistics (Volume 1: Long Papers)*, pages 648–664.
- Leilei Gan, Kun Kuang, Yi Yang, and Fei Wu. 2021a. Judgment prediction via injecting legal knowledge into neural networks. In *Proceedings of the AAAI Conference on Artificial Intelligence*, volume 35, pages 12866–12874.
- Leilei Gan, Yating Zhang, Kun Kuang, Lin Yuan, Shuo Li, Changlong Sun, Xiaozhong Liu, and Fei Wu. 2021b. Dialogue inspectional summarization with factual inconsistency awareness. *arXiv preprint arXiv:2111.03284*.
- Beliz Gunel, Jingfei Du, Alexis Conneau, and Veselin Stoyanov. 2020. Supervised contrastive learning for pre-trained language model fine-tuning. In *International Conference on Learning Representations*.
- Kaiming He, Haoqi Fan, Yuxin Wu, Saining Xie, and Ross Girshick. 2020. Momentum contrast for unsupervised visual representation learning. In *Proceedings of the IEEE/CVF conference on computer vision and pattern recognition*, pages 9729–9738.
- R Devon Hjelm, Alex Fedorov, Samuel Lavoie-Marchildon, Karan Grewal, Phil Bachman, Adam Trischler, and Yoshua Bengio. 2018. Learning deep representations by mutual information estimation and maximization. *arXiv preprint arXiv:1808.06670*.
- Sepp Hochreiter and Jürgen Schmidhuber. 1997. Long short-term memory. *Neural computation*, 9(8):1735–1780.
- Zikun Hu, Xiang Li, Cunchao Tu, Zhiyuan Liu, and Maosong Sun. 2018. Few-shot charge prediction with discriminative legal attributes. In *Proceedings of the 27th International Conference on Computational Linguistics*, pages 487–498.
- Prannay Khosla, Piotr Teterwak, Chen Wang, Aaron Sarna, Yonglong Tian, Phillip Isola, Aaron Maschiot, Ce Liu, and Dilip Krishnan. 2020. Supervised contrastive learning. *Advances in Neural Information Processing Systems*, 33:18661–18673.
- Yifei Liu, Yiquan Wu, Yating Zhang, Changlong Sun, Weiming Lu, Fei Wu, and Kun Kuang. 2023. Ml-1jp: Multi-law aware legal judgment prediction. In *Proceedings of the 46th International ACM SIGIR Conference on Research and Development in Information Retrieval*, pages 1023–1034.
- Yougang Lyu, Zihan Wang, Zhaochun Ren, Pengjie Ren, Zhumin Chen, Xiaozhong Liu, Yujun Li, Hongsong Li, and Hongye Song. 2022. Improving legal judgment prediction through reinforced criminal element extraction. *Information Processing & Management*, 59(1):102780.
- Thong Nguyen and Anh Tuan Luu. 2021. Contrastive learning for neural topic model. *Advances in neural information processing systems*, 34:11974–11986.
- Thong Nguyen, Xiaobao Wu, Anh Tuan Luu, Zhen Hai, and Lidong Bing. 2022. Adaptive contrastive learning on multimodal transformer for review helpfulness prediction. In *Proceedings of the 2022 Conference on Empirical Methods in Natural Language Processing*, pages 10085–10096.
- Dhanasekar Sundararaman, Shijing Si, Vivek Subramanian, Guoyin Wang, Devamanyu Hazarika, and Lawrence Carin. 2020. Methods for numeracy-preserving word embeddings. In *Proceedings of the 2020 Conference on Empirical Methods in Natural Language Processing, EMNLP 2020, Online, November 16-20, 2020*, pages 4742–4753. Association for Computational Linguistics.
- Varsha Suresh and Desmond Ong. 2021. Not all negatives are equal: Label-aware contrastive loss for fine-grained text classification. In *Proceedings of the 2021 Conference on Empirical Methods in Natural Language Processing*, pages 4381–4394.
- Xiaobao Wu, Anh Tuan Luu, and Xinshuai Dong. 2022. Mitigating data sparsity for short text topic modeling by topic-semantic contrastive learning. In *Proceedings of the 2022 Conference on Empirical Methods in Natural Language Processing*, pages 2748–2760.
- Zhirong Wu, Yuanjun Xiong, Stella X Yu, and Dahua Lin. 2018. Unsupervised feature learning via non-parametric instance discrimination. In *Proceedings of the IEEE conference on computer vision and pattern recognition*, pages 3733–3742.
- Chaojun Xiao, Haoxi Zhong, Zhipeng Guo, Cunchao Tu, Zhiyuan Liu, Maosong Sun, Yansong Feng, Xianpei Han, Zhen Hu, Heng Wang, and Jianfeng Xu. 2018a. [CAIL2018: A large-scale legal dataset for judgment prediction](#). *CoRR*, abs/1807.02478.
- Chaojun Xiao, Haoxi Zhong, Zhipeng Guo, Cunchao Tu, Zhiyuan Liu, Maosong Sun, Yansong Feng, Xianpei Han, Zhen Hu, Heng Wang, et al. 2018b. [Cail2018: A large-scale legal dataset for judgment prediction](#). *arXiv preprint arXiv:1807.02478*.
- Nuo Xu, Pinghui Wang, Long Chen, Li Pan, Xiaoyan Wang, and Junzhou Zhao. 2020. Distinguish confusing law articles for legal judgment prediction. In *Proceedings of the 58th Annual Meeting of the Association for Computational Linguistics*, pages 3086–3095.

Wenmian Yang, Weijia Jia, Xiaojie Zhou, and Yutao Luo. 2019. Legal judgment prediction via multi-perspective bi-feedback network. In *Proceedings of the 28th International Joint Conference on Artificial Intelligence*, pages 4085–4091.

Zichao Yang, Diyi Yang, Chris Dyer, Xiaodong He, Alex Smola, and Eduard Hovy. 2016. Hierarchical attention networks for document classification. In *Proceedings of the 2016 Conference of the North American Chapter of the Association for Computational Linguistics: Human Language Technologies*, pages 1480–1489, San Diego, California. Association for Computational Linguistics.

Linan Yue, Qi Liu, Binbin Jin, Han Wu, Kai Zhang, Yanqing An, Mingyue Cheng, Biao Yin, and Dayong Wu. 2021. Neurjudge: a circumstance-aware neural framework for legal judgment prediction. In *Proceedings of the 44th International ACM SIGIR Conference on Research and Development in Information Retrieval*, pages 973–982.

Han Zhang, Zhicheng Dou, Yutao Zhu, and Ji-Rong Wen. 2023. Contrastive learning for legal judgment prediction. *ACM Transactions on Information Systems*, 41(4):1–25.

Shu Zhang, Ran Xu, Caiming Xiong, and Chetan Ramaiah. 2022. Use all the labels: A hierarchical multi-label contrastive learning framework. In *Proceedings of the IEEE/CVF Conference on Computer Vision and Pattern Recognition*, pages 16660–16669.

Haoxi Zhong, Zhipeng Guo, Cunchao Tu, Chaojun Xiao, Zhiyuan Liu, and Maosong Sun. 2018. Legal judgment prediction via topological learning. In *Proceedings of the 2018 Conference on Empirical Methods in Natural Language Processing*, pages 3540–3549.

Haoxi Zhong, Chaojun Xiao, Cunchao Tu, Tianyang Zhang, Zhiyuan Liu, and Maosong Sun. 2020. How does nlp benefit legal system: A summary of legal artificial intelligence. In *Proceedings of the 58th Annual Meeting of the Association for Computational Linguistics*, pages 5218–5230.

Haoxi Zhong, Zhengyan Zhang, Zhiyuan Liu, and Maosong Sun. 2019. Open chinese language pre-trained model zoo. Technical report.

A Baselines

We compare our method with the following non-pretrained and pre-trained models: (1) **HARNN** (Yang et al., 2016): an RNN-based neural network with a hierarchical attention mechanism for document classification; (2) **LADAN** (Xu et al., 2020): LADAN distinguishes confusing law articles by extracting distinguishable features from similar law articles using a graph-based method; (3) **NeurJudge+** (Yue et al., 2021): NeurJudge+ utilizes the results of intermediate subtasks to separate

Model	Parameter	Value
LJP	Word embedding size	200
	Maximum document length	512
	Maximum sentence num	15
	Batch size	128
	Learning rate	0.001
	Training epoch	16
	Optimizer	Adam
	Momentum queue Q size	65536
	Momentum coefficient m	0.999
	Temperature t	0.07
$\alpha, \beta, \theta, \lambda$	2, 2, 5, 7	
NER	Model	BERT-CRF
	Batch size	16
	Learning rate	0.00001
	Training epoch	20
NumEncoder	Optimizer	Adam
	Training data size	128000
	Max number, Min number	0, 30000
	Model	GRU
	Word embedding size	200
	Hidden state size	256
	Batch size	128
	Learning rate	0.001
	Training epoch	100
Optimizer	Adam	

Table 8: Hyper-parameter values

the fact description into different representations and exploits them to make the predictions of other subtasks; (4) **CrimeBERT** (Zhong et al., 2019): CrimeBERT is initialized by BERT (Devlin et al., 2019), then is further pre-trained on crime data, giving better results than BERT. It is worth noting that the proposed method is model-agnostic, which can be used to improve any other LJP models.

B Implementantation Details

For training the BERT-CRF NER model, we use the Adam optimizer and set the learning rate to $1e-5$. The batch size is set to 16. We train the model for 20 epochs and select the best model on the validation set for testing. The best model on the test set of CAE can achieve a competitive accuracy of 0.875.

For pre-training the numerical evidence encoder model NumEncoder, we synthesize a training dataset of size 128,000 where each pair of numbers (x_i, y_i) are uniformly sampled from $[0, 30, 0000]$. A GRU model with a hidden size of 256 is used to model the number sequence. Adam is used to optimizing the parameters, and the learning rate is set to $1e-3$. We train the NumEncoder model for 100 epochs.

For training the LJP model, we use the Adam optimizer and set the learning rate to $1e-3$. The

<p>Fact Description: The court found that at XXX, the defendant XXX stole a black rectangular wallet and a white cell phone (Meitu M4 brand, worth \$900MONEY) from the victim XXX, while he was asleep. The wallet contained cash of \$2600MONEY. After Being arrested, the defendant returned the aforementioned cell phone and cash of \$2,000 to the victim.</p> <p>-----</p> <p>Crime Amount: \$3,500</p>

Figure 6: An example of converting an instance in the CAE dataset into the sample for training the NER model.

Charge Type	#Classes	% Training Set size
Confusing Charges	41	37.13%
Number-sensitive Charges	33	22.25%

Table 9: Statistics of the defined confusing charges and number-sensitive charges.

batch size is set to 128. We train the model for 16 epochs and select the best model on the validation set for testing. In contrastive learning, the MoCo queue size and the temperate t are set to 65536 and 0.07, respectively. We run each experiment with five different seeds and report the averaged results.

Table 1 shows the detailed statistics of the used datasets.

C Evidence Extraction

Figure 6 shows an example of converting an instance in CAE into the NER format.

D Definition of Confusing Charges.

To specifically evaluate our method on confusing legal cases, we define confusing charges using the predicted results of the baseline model LADAN_{MTL}. Concretely, if the number that the model incorrectly classifies class A into class B exceeds the pre-defined threshold, classes A and B will be added to the confusing classes. The definition of the number-sensitive charges is determined by an experienced legal expert. The statistics of the definition of confusing charges and number-sensitive charges are listed in Table 9.