

Quantum Pseudorandom Scramblers

Towards Constructing Pseudorandom Unitary Operators

Chuhan Lu* Minglong Qin[†] Fang Song[‡] Penghui Yao^{§¶}
 Mingnan Zhao^{||}

September 15, 2023

Abstract

Quantum pseudorandom state generators (PRSGs) have stimulated exciting developments in recent years. A PRSG, on a fixed initial (e.g., all-zero) state, produces an output state that is computationally indistinguishable from a Haar random state. However, pseudorandomness of the output state is not guaranteed on other initial states. In fact, known PRSG constructions *provably* fail on some initial state.

In this work, we propose and construct quantum Pseudorandom State Scramblers (PRSSs), which can produce a pseudorandom state on an *arbitrary* initial state. In the information-theoretical setting, we obtain a scrambler which maps an arbitrary initial state to a distribution of quantum states that is close to Haar random in *total variation distance*. As a result, our PRSS exhibits a *dispersing* property. Loosely, it can span an ε -net of the state space. This significantly strengthens what standard PRSGs can induce, as they may only concentrate on a small region of the state space as long as the average output state approximates a Haar random state in total variation distance.

Our PRSS construction develops a *parallel* extension of the famous Kac's walk, and we show that it mixes *exponentially* faster than the standard Kac's walk. This constitutes the core of our proof. We also describe a few applications of PRSSs. While our PRSS construction assumes a post-quantum one-way function, PRSSs are potentially a weaker primitive and can be separated from one-way functions in a relativized world similar to standard PRSGs.

*Computer Science Department, Portland State University, USA. Email: chuhan@pdx.edu.

[†]State Key Laboratory for Novel Software Technology, Nanjing University. Email: m1qin@smail.nju.edu.cn.

[‡]Computer Science Department, Portland State University, USA. Email: fang.song@pdx.edu.

[§]State Key Laboratory for Novel Software Technology, Nanjing University. Email: phyao1985@gmail.com.

[¶]Hefei National Laboratory, Hefei 230088, China.

^{||}State Key Laboratory for Novel Software Technology, Nanjing University. Email: mingnanzh@gmail.com.

CONTENTS

1	Introduction	1
1.1	Our Contributions	1
1.2	Discussions and Open Questions	3
2	Preliminary	4
2.1	Basic Notation	4
2.2	Probability Theory	5
2.3	Cryptography	7
3	Pseudorandom State Scramblers	8
3.1	Properties of Pseudorandom State Scramblers	10
4	Parallel Kac’s Walk	10
4.1	Background: Kac’s Walk and the Proportional Coupling	10
4.2	Parallel Kac’s Walk on Real Space	12
4.3	Parallel Kac’s Walk on Complex Space	16
5	Constructions of RSSs and PRSSs	17
5.1	Constructing over the Real Space	17
5.2	Constructing over the Complex Space	23
6	Applications	24
6.1	Compact Quantum Encryption	25
6.2	Succinct Quantum State Commitment	26
7	Dispersing RSS and Dispersing PRSS	27
7.1	Definitions	27
7.2	Total Variation Mixing Time of the Parallel Kac’s Walk	29
7.3	Construction of DRSS and DPRSS	38
	Appendices	40
A	Connections with Existing PRS variants	40
B	Deferred Proofs	42
	References	62

1 INTRODUCTION

Pseudorandomness is a fundamental concept in complexity theory and cryptography, capturing the phenomenon where objects look random to computationally-bounded adversaries. Recently, Ji, Liu and Song [JLS18] introduced quantum pseudorandom state generators (PRSGs) as a family of quantum states $\{|\phi_k\rangle\}_{k\in\mathcal{K}}$, which can be generated in polynomial time, and no computationally-bounded quantum adversary can distinguish polynomially many copies of $|\phi_k\rangle$ from polynomially many copies of a Haar random state. PRSGs can be considered as a quantum counterpart to classical pseudorandom generators, and can be constructed assuming the existence of one-way functions that are hard for efficient quantum adversaries [JLS18, BS19, BS20b, AGQY22, BFG⁺22]. What is surprising, PRSGs are proven weaker than one-way functions relative to an oracle [Kre21]. Since one-way functions are considered the *minimal* assumption in classical cryptography, this opens up the possibility of basing cryptography on *weaker* assumptions in a quantum world. There have been exciting advances in recent years, building a host of cryptographic tasks on PRSGs only as well as developing novel primitives, such as bit commitment, digital signatures, secure multi-party computation, quantum money, and quantum trapdoor functions [BS20a, AQY22, MY22, AGQY22, Col23]. In addition to cryptographic interest, pseudorandom states have also garnered considerable attention from the community of quantum gravity theory and string theory [BFV20, KTP20, BCHJ⁺21, BFG⁺22, YE23].

A major open problem in quantum cryptography is the construction of *pseudorandom unitary operators* (PRU), as introduced by Ji, Liu and Song in [JLS18], which serve as a quantum analogue of pseudorandom functions. A PRU is a set of polynomially-time unitary operators that are computationally indistinguishable from the Haar random unitaries. PRUs are both a stronger cryptographic primitive and a powerful tool in cryptography and physics [BFV20, KTP20, BCHJ⁺21, YE23, GJMZ23]. A prominent feature of PRUs differ from PRSGs is that a PRU is a family of polynomial-sized quantum circuits which map an *arbitrary* pure state to a family of pseudorandom states. However, a PRSG can be viewed as a family of polynomial-sized quantum circuits which map a specific initial state, typically $|0^n\rangle$, to a family of pseudorandom states. Indeed, all existing construction of PRSGs necessitates a specific initial state. It can be shown that they *fail* to produce pseudorandom states for certain initial states. This limitation has indeed caused technical challenges in the cryptographic applications mentioned before that need to be addressed in ad hoc ways. Nonetheless, constructing a provably-secure PRU remains an open problem, and progress has been slow (e.g., conjectured constructions in [JLS18] and a stateful simulation in [AMR20]). To construct PRU, we need to address the following question.

Can we construct a family of polynomial-sized quantum circuits which map an arbitrary input (pure) state to pseudorandom states?

1.1 OUR CONTRIBUTIONS

In this work, we answer the question affirmatively as a steady step towards bridging the gap between PRSGs and PRUs. We formally encapsulate the property of “scrambling” an arbitrary input state in a novel quantum pseudorandom primitive, termed a *quantum pseudorandom state scrambler* (PRSS), which isometrically maps an *arbitrary* pure state to a pseudorandom state. We then construct a PRSS based any quantum-secure PRF. A central technical novelty is to design a

parallel version of Kac’s walk, and prove an *exponentially* faster mixing time.

Our construction also exhibits a notable *dispersing* property, which is that the output states form an ε -net on the sphere, and the distribution of the output states closely approximates the Haar random distribution under the Wasserstein distance, when sufficient randomness is supplied. Such a powerful “randomizing” capability, which needs not to be present even in PRUs, elevates optimism of finally establishing a PRU via our approach.

Overview on the construction and analysis. Our construction is inspired by Kac’s walk, originally a model for a Boltzmann gas [Kac56]. This approach differs from previous constructions for PRSGs. Let us consider an arbitrary unit-vector $v \in \mathbb{R}^N$. In one step of Kac’s walk, two distinct coordinates (i, j) and an angle $\theta \in [0, 2\pi)$ are chosen uniformly at random. Then $R_\theta := \begin{pmatrix} \cos \theta & -\sin \theta \\ \sin \theta & \cos \theta \end{pmatrix}$ is applied to rotate the two-dimensional subvector $(v_i, v_j)^T$. It is proven that it converges to the Haar measure on the unit sphere of \mathbb{R}^N in $O(N \log N)$ steps [PS17]. However, if we view the input vector as an $n = \log N$ -qubit state, then the factor N in the mixing time is prohibitive for the purpose of an efficient (polynomial in n) scrambler.

Can we *parallelize* Kac’s walk in hope of shaking off a factor of N ? Notice that in Kac’s walk, if any two consecutive steps overlap on the random choices of coordinates, then they need to be executed in *sequence*. One might consider conditioning on the event of “collision-free” in the coordinate choices, but this occurs with negligibly small probability since we intend to compress $\Omega(N)$ steps into one.

We design a *parallel* Kac’s walk that rapidly mixes in $O(\log N)$ time, an *exponential* improvement over the original walk. In each step, instead of working with an individual pair of coordinates, we randomly partition the N coordinates into $N/2$ pairs, then each pair is rotated by a random angle chosen *independently*. Although the mixing time of Kac’s walk is not directly applicable, we show that the specific path-coupling proof strategy of [PS17] can be extended here.

We then construct a quantum circuit to implement our parallel Kac’s walk. In each step, we use a random permutation to realize the coordinate partition, and employ a random function to compute a random rotation angle, under a careful discretization, for each pair of coordinates. Finally, we obtain our pseudorandom state scramblers by replacing the random permutations and functions with quantum-secure pseudorandom permutations and functions, which exist based on post-quantum one-way functions [Zha21].

The discussion so far works with real Hilbert spaces. To construct a PRSS in a complex Hilbert space, we further develop a parallel Kac’s walk on complex Hilbert spaces. The construction starts likewise by randomly partitioning N coordinates to $N/2$ pairs, and then applying random 2×2 *unitary* matrices independently to each pair. As unitary matrices have more degrees of freedom than real orthogonal rotation matrices, the analysis of the mixing time is more involved. The extension of Kac’s walk to a complex Hilbert space, as well as the parallelization, has not been studied previously as far as we are aware. This may be of independent interest.

Applications. It is easy to see that PRSSs subsume standard PRSGs as well as scalable PRSGs. We also demonstrate that PRSSs can be used to achieve a black-box realization of a variant of PRSGs known as pseudorandom function-like state generators (PRFSGs), which in turn enable a host of cryptographic primitives such as secure multi-party computation [AQY22, AGQY22]. A

PRFSG takes an additional classical input x (from a poly-size domain) and produces a pseudorandom state. In the literature, a PRFSG can be constructed from PRSGs by measuring a part of a pseudorandom state and post-select on x . This inevitably is error-prone and consumes multiple copies, i.e., multiple invocations of a PRSG, to evaluate on a single x . Given our PRSS (with a sufficiently long key), we can simply feed $|x\rangle$ as the initial state to the PRSS, and hence only *one*, rather than polynomially-many, run of PRSS suffices.

We observe that the argument by Kretschmer [Kre21] also implies that PRSS is *strictly* weaker than one-way functions relative to an oracle. Thus PRSSs may further enhance the new cryptographic landscape without assuming one-way functions. We demonstrate some use cases of PRSSs beyond what are already possible from PRSGs. For starters, a PRSS enables efficient encryption of quantum messages by effectively “scrambling” any initial state, and allowing *multiple copies* of the same state to be encrypted under the same key. The fact that PRSS provides a secure encryption also enables committing quantum states, thanks to a new characterization of [GJMZ23]. The commitment scheme can be further made *succinct*, where the commitment message has smaller size than the size of the message to be committed. Existing constructions rely on potentially stronger assumptions than PRSSs.

1.2 DISCUSSIONS AND OPEN QUESTIONS

We introduce and establish a novel quantum pseudorandom primitive, pseudorandom state scramblers, which generate a pseudorandom state on any initial state. Our construction is predicated on a parallel design of Kac’s walk, a distinct approach that diverges from all previous constructions of pseudorandom state generators. Utilizing these primitives, we show applications in encrypting and committing quantum states. We discuss below some related topics and future directions.

There is a rich history of studying Kac’s walk in probability and mathematical physics [Has70, DSC00, Jan03, Oli09, Jia12, HJ17]. Determining the total variation mixing time of Kac’s walk is particularly challenging, and it is currently only known to be between the order $O(n^4 \log n)$ and $O(n^2)$ [PS18].

There has also been extensive efforts on pseudorandom approximations to Haar measures in a *statistical* setting, known as state and unitary t -designs [RBKSC04, DCEL09]. For instance, a unitary t -design mimics a Haar random unitary up to the t -th moment. It is known that a unitary t -design can be constructed by a quantum circuit of size polynomially in t , composed of Haar random single or two-qubit gates [HL09, BHH16, Haf22, HM23, OSP23]. It is interesting to note that a path-coupling technique in [Oli09] for analyzing Kac’s walk also plays an essential role in the proofs of these unitary design results. It is reasonable to anticipate improvements on the efficiency of the unitary designs with new methods and advances on Kac’s walk. However, it is worth stressing that another critical component in their proofs involving spectral gaps appears to inevitably incur a dependency on t , which is a serious limitation. For instance, in order for the output state to approximate a Haar random state when the number of copies can be an arbitrary polynomial, we would need to pick a superpolynomial t in the unitary design. As far as we know, our PRSS is the first to employ Kac’s walk directly in the construction of a quantum pseudorandom object, and the exponential improvement on the mixing time of our parallel walk enables flipping the quantifiers, i.e., a fixed poly-size construction that is nonetheless pseudorandom against any polynomial-time distinguisher, a desired feature towards PRUs.

Kac’s walks have also found applications in algorithm design. Recently, a fast and memory-

optimal dimension-reduction algorithm is proposed based on Kac’s walk and its discrete variants [JPS⁺22]. We would like to invite more exploration of Kac’s walk in theoretical computer science broadly.

We describe several interesting open problems emerged from our work.

1. Is it possible to simplify the quantum circuits for these primitives? Can we replace random permutations by a sequence of parallel (pseudo) random local permutations? Can we use the same random rotation or even a fixed one (e.g., Hadamard transform) in a single iteration? Recent advances on repeated averages on graphs [MSW22] and orthogonal repeated averaging [CDSZ22, JPS⁺22] indicate a possibly positive answer.
2. We believe that PRSSs, potentially weaker than PRUs, are an important primitive in its own right. Can we discover more applications of PRSSs and the dispersing property, especially in cryptography as well as in quantum gravity theory? For example, We envision a form of *uncloneable knowledge tokens* from a PRSS that may enable novel quantum proof systems and *delegated* computation.
3. Is it possible to construct PRSSs for mixed states? How far are we from a PRU? Can we get it by strengthening our parallel Kac’s walk approach?

Acknowledgment. We thank the anonymous reviewers’ feedback. CL and FS were supported in part by the US National Science Foundation grants CCF-2042414, CCF-2054758 (CAREER) and CCF-2224131. MQ, PY and MZ were supported in part by National Natural Science Foundation of China (Grant No. 62332009, 61972191), and Innovation Program for Quantum Science and Technology (Grant No. 2021ZD0302900).

Organization. Section 2 contains some preliminary materials including basic notation and several cryptographic primitives. Section 3 describes definitions of our new primitives and their properties. Section 4 introduces the parallel Kac’s walk. Then Section 5 constructs PRSSs via implementing the parallel Kac’s walk in Section 4. Section 6 describes applications of PRSSs. Section 7 introduces dispersing RSS and its pseudorandom version. In Appendix A, we give details on the connections between PRSSs and existing PRS variants. Some proofs are deferred to Appendix B.

2 PRELIMINARY

2.1 BASIC NOTATION

For $n \in \mathbb{N}$, $[n]$ denotes $\{1, \dots, n\}$. For $x \in \{0, 1\}^n$, we use x_i to denote the i -th bit of x and define $\text{val}(x) = \sum_{i=1}^n 2^{-i} x_i$. Suppose that x and y are bit strings of finite length, we denote \overline{xy} to be the concatenation of x and y . For finite sets \mathcal{X} and \mathcal{Y} , we use $\mathcal{X}^{\mathcal{Y}}$ to denote the set of all functions $\{f : \mathcal{X} \rightarrow \mathcal{Y}\}$. We use $S_{\mathcal{X}}$ to denote the *permutation group* over elements in a finite set \mathcal{X} . We often write S_{2^n} instead of $S_{\{0,1\}^n}$ to denote the permutation group over elements in $\{0, 1\}^n$.

For any symbol x and $n \in \mathbb{N}$, $(x)_n$ represents x_1, \dots, x_n . $(x)_n \in S$ represents $x_i \in S$ for all $i \in [n]$. For $n \in \mathbb{N}$, $\mathcal{S}_{\mathbb{R}}^n$ denotes the set of all unit vectors in \mathbb{R}^n , $\mathcal{S}_{\mathbb{C}}^n$ denotes the set of all unit

vectors in \mathbb{C}^n , $\text{SO}(n)$ denotes the special orthogonal group of $n \times n$ real matrices, $\text{SU}(n)$ denotes the special unitary group of $n \times n$ complex matrices, $\text{O}(n)$ denotes the $n \times n$ orthogonal group and $\text{U}(n)$ denotes the $n \times n$ unitary group. For a Hilbert space \mathcal{H} , we use $\mathcal{S}(\mathcal{H})$ to denote the set of pure quantum states in \mathcal{H} and $\mathcal{D}(\mathcal{H})$ to denote the set of density operators on \mathcal{H} .

For an n -dimensional vector v and $i \in [n]$, we use $v[i]$ to denote the i -th coordinate of v . For $S \subseteq [n]$ and $v \in \mathbb{C}^n$, define

$$\|v\|_1 = \sum_{i \in [n]} |v[i]| \quad , \quad \|v\|_{1,S} = \sum_{i \in S} |v[i]| \quad , \quad \|v\|_2 = \sqrt{\sum_{i \in [n]} |v[i]|^2} \quad .$$

For an $n \times n$ matrix M and $p \in \mathbb{N}$, the p -norm of M is defined to be $\|M\|_p = \left(\text{Tr} \left[(M^\dagger M)^{p/2} \right] \right)^{1/p}$, and $\|M\|_\infty$ is defined to be the largest singular value of M . The following fact will be used in our paper and is easy to prove by the triangle inequality.

Fact 2.1. *Given $m, n \in \mathbb{N}$, $U_1, \dots, U_m, V_1, \dots, V_m \in \text{O}(n)$ (or $\text{U}(n)$), then*

$$\|U_1 \dots U_m - V_1 \dots V_m\|_\infty \leq \sum_{i=1}^m \|U_i - V_i\|_\infty \quad .$$

Given two density operators $\rho, \sigma \in \mathcal{D}(\mathcal{H})$, the trace distance between ρ and σ is $\text{TD}(\rho, \sigma) = \|\rho - \sigma\|_1$.

Let \mathcal{V} be a real or complex vector space, and $\epsilon > 0$ be a positive real number. For any $\mathcal{S} \subseteq \mathcal{V}$, a set of vectors $\mathcal{N} \subseteq \mathcal{S}$ is said to be an ϵ -net of \mathcal{S} if, for every vector $u \in \mathcal{S}$, there exists a vector $v \in \mathcal{N}$ such that $\|u - v\|_2 \leq \epsilon$.

We adopt the standard quantum circuit model. A quantum circuit with gates drawn from a finite gate set can be encoded as a binary string. $\{Q_\lambda : \lambda \in \mathbb{N}\}$ is said to be a *polynomial-time generated family*¹ if there exists a deterministic Turing machine that, on any input $\lambda \in \mathbb{N}$, outputs an encoding of Q_λ in polynomial-time in λ . A quantum polynomial-time algorithm is identified with a polynomial-time generated circuit family. In cryptography it is conventionally to model adversaries as *non-uniform* algorithms. We model a non-uniform quantum polynomial-time algorithm as a family $\{Q_\lambda, \rho_\lambda\}_\lambda$, where $\{Q_\lambda\}$ is a polynomial-time generated circuit family, and $\{\rho_\lambda\}$ is a collection of *advice states*. Q_λ acts on ρ_λ besides the actual input state.

2.2 PROBABILITY THEORY

For two probability measures ν_1 and ν_2 defined on measurable space (Ω, \mathcal{F}) , the *total variation distance* of ν_1 and ν_2 is defined as $\|\nu_1 - \nu_2\|_{\text{TV}} = \sup_{A \in \mathcal{F}} |\nu_1(A) - \nu_2(A)|$. Closeness in total variation distance is a strong promise. For example, when applied to quantum states, it implies closeness in trace distance of the average states.

Lemma 2.2. *Let μ and ν be two arbitrary probability measures over $\mathcal{S}_{\mathbb{R}}^{2^n}$ ($\mathcal{S}_{\mathbb{C}}^{2^n}$). Then for all $\ell \in \mathbb{N}$,*

$$\left\| \mathbb{E}_{|\psi\rangle \sim \mu} [(|\psi\rangle\langle\psi|)^{\otimes \ell}] - \mathbb{E}_{|\varphi\rangle \sim \nu} [(|\varphi\rangle\langle\varphi|)^{\otimes \ell}] \right\|_1 \leq \|\mu - \nu\|_{\text{TV}} \quad .$$

¹More precisely, each circuit should be written as Q_{1^λ} . Note that in a polynomial-time generated family, then Q_λ must have size polynomial in λ .

We denote the distribution of a random variable X by $\mathcal{L}(X)$. If $\mathcal{L}(X) = \nu$, we write $X \sim \nu$. A coupling of two probability measures μ and ν is a joint probability measure whose marginals are μ and ν . We use $\Gamma(\mu, \nu)$ to denote the set of all couplings of μ and ν . For $p \geq 1$ The Wasserstein p -distance between two probability measures μ and ν is

$$W_p(\mu, \nu) = \left(\inf_{\gamma \in \Gamma(\mu, \nu)} \mathbb{E}_{(x, y) \sim \gamma} [\|x - y\|_2^p] \right)^{1/p}.$$

The Wasserstein ∞ -distance is $W_\infty(\mu, \nu) = \lim_{p \rightarrow \infty} W_p(\mu, \nu)$.

The following lemmas about Markov chain in [LPW09] serve as crucial tools in this work.

Lemma 2.3 (Coupling Lemma). [LPW09, Proposition 4.7] *Let K be the transition kernel of a Markov chain with unique stationary distribution ν on state space Ω . Let $\{X_t\}_{t \geq 0}, \{Y_t\}_{t \geq 0}$ be two corresponding Markov chains started at $X_0 = x \in \Omega$ and $Y_0 \sim \nu$. Define the coalescence time of the chains*

$$\tau(x) = \min \{t : X_t = Y_t\}.$$

Assume that a coupling of $\{X_t\}_{t \geq 0}, \{Y_t\}_{t \geq 0}$ satisfies $X_t = Y_t$ for all $t \geq \tau(x)$. Then for any $t \geq 0$,

$$\|\mathcal{L}(X_t) - \nu\|_{\text{TV}} \leq \Pr[\tau(x) > t].$$

Lemma 2.4. [LPW09, Lemma 4.10, Lemma 4.11 and Equation 4.29] *Let $\{X_t\}_{t \geq 0}$ be a Markov chain with unique stationary distribution ν on state space Ω . Then for integers $t_1, t_2 \in \mathbb{N}$, we have*

- if $t_2 \geq t_1$, then

$$\sup_{X_0 \in \Omega} \|\mathcal{L}(X_{t_2}) - \nu\|_{\text{TV}} \leq 2 \sup_{X_0 \in \Omega} \|\mathcal{L}(X_{t_1}) - \nu\|_{\text{TV}}.$$

- if $t_2 = s \cdot t_1$ for some integer $s \in \mathbb{N}$, then

$$\sup_{X_0 \in \Omega} \|\mathcal{L}(X_{t_2}) - \nu\|_{\text{TV}} \leq \left(2 \cdot \sup_{X_0 \in \Omega} \|\mathcal{L}(X_{t_1}) - \nu\|_{\text{TV}} \right)^s.$$

We also utilize the following lemmas, which present upper bounds on the probability of a coordinate in a Haar random vector being small:

Lemma 2.5 (Lemma 3.5 in [PS17]). *Let $Y \sim \mu$ where μ is the Haar measure on $\mathcal{S}_{\mathbb{R}}^n$. Then for all $1 < c < \infty$ and any $1 \leq i \leq n$,*

$$\Pr[Y[i]^2 \leq n^{-3c}] \leq 2n^{1-c}.$$

Lemma 2.6. *Let $Y \sim \mu_{\mathbb{C}}$ where $\mu_{\mathbb{C}}$ is the Haar measure on $\mathcal{S}_{\mathbb{C}}^n$. Then for all $1 < c < \infty$ and any $1 \leq i \leq n$,*

$$\Pr[|Y[i]|^2 \leq (2n)^{-3c}] \leq 2 \cdot (2n)^{1-c}.$$

Proof. Let g_1, \dots, g_{2n} be $2n$ i.i.d. real random variable with $\mathcal{N}(0, 1)$ distribution. We have

$$\begin{aligned} \Pr[|Y[i]|^2 \leq (2n)^{-3c}] &= \Pr\left[\frac{g_1^2 + g_2^2}{\sum_{k=1}^{2n} g_k^2} \leq (2n)^{-3c}\right] \\ &\leq \Pr\left[\frac{g_1^2}{\sum_{k=1}^{2n} g_k^2} \leq (2n)^{-3c}\right] \\ &\leq 2 \cdot (2n)^{1-c}. \end{aligned}$$

The last inequality follows from Lemma 2.5. □

2.3 CRYPTOGRAPHY

In this section, we will review various definitions and results in cryptography. Throughout this work, λ denotes a security parameter.

2.3.1 PSEUDORANDOM FUNCTIONS AND PSEUDORANDOM PERMUTATIONS

Definition 2.7 (Quantum-Secure Pseudorandom Function). *Let \mathcal{K}, \mathcal{X} and \mathcal{Y} be the key space, the domain and range, all implicitly depending on the security parameter λ . A keyed family of functions $\{\text{PRF}_k : \mathcal{X} \rightarrow \mathcal{Y}\}_{k \in \mathcal{K}}$ is a quantum-secure pseudorandom function (QPRF) if the following two conditions hold:*

1. **Efficient generation.** PRF_k is polynomial-time computable on a classical computer.
2. **Pseudorandomness.** For any polynomial-time quantum oracle algorithm \mathcal{A} , PRF_k with a random $k \leftarrow \mathcal{K}$ is indistinguishable from a truly random function $f \leftarrow \mathcal{Y}^{\mathcal{X}}$ in the sense that:

$$\left| \Pr_{k \leftarrow \mathcal{K}} \left[\mathcal{A}^{\text{PRF}_k} \left(1^\lambda \right) = 1 \right] - \Pr_{f \leftarrow \mathcal{Y}^{\mathcal{X}}} \left[\mathcal{A}^f \left(1^\lambda \right) = 1 \right] \right| = \text{negl}(\lambda) \quad .$$

Definition 2.8 (Quantum-Secure Pseudorandom Permutation). *Let \mathcal{K} be the key space, and \mathcal{X} be both the domain and range, implicitly depending on the security parameter λ . A keyed family of permutations $\{\text{PRP}_k \in S_{\mathcal{X}}\}_{k \in \mathcal{K}}$ is a quantum-secure pseudorandom permutation (QPRP) if the following two conditions hold:*

1. **(Efficient generation).** PRP_k and PRP_k^{-1} are polynomial-time computable on a classical computer.
2. **(Pseudorandomness).** For any polynomial-time quantum oracle algorithm \mathcal{A} , PRP_k with a random $k \leftarrow \mathcal{K}$ is indistinguishable from a truly random permutation $\sigma \leftarrow S_{\mathcal{X}}$ in the sense that:

$$\left| \Pr_{k \leftarrow \mathcal{K}} \left[\mathcal{A}^{\text{PRP}_k, \text{PRP}_k^{-1}} \left(1^\lambda \right) = 1 \right] - \Pr_{\sigma \leftarrow S_{\mathcal{X}}} \left[\mathcal{A}^{\sigma, \sigma^{-1}} \left(1^\lambda \right) = 1 \right] \right| = \text{negl}(\lambda) \quad .$$

We adopt the definition of a strong quantum-secure PRP in this paper. And when referring to a quantum oracle algorithm having oracle access to a permutation σ , we imply that it has oracle access to both σ and its inverse σ^{-1} .

Under the assumption that post-quantum one-way functions exist, Zhandry proved the existence of QPRFs [Zha21]. QPRPs can be constructed from QPRFs efficiently [Zha16].

Given two QPRFs F and G , one independently samples F_{k_1} from F and G_{k_2} from G . A standard hybrid argument shows that F_{k_1}, G_{k_2} are computationally indistinguishable from two independent random functions, as stated in the following lemma. The proof, which is deferred to [Appendix B](#), can be readily extended to the scenario when polynomially many pseudorandom primitives (or random primitives) are given.

Lemma 2.9. *Let keyed families of functions $F : \mathcal{K}_1 \times \mathcal{X}_1 \rightarrow \mathcal{Y}_1$ and $G : \mathcal{K}_2 \times \mathcal{X}_2 \rightarrow \mathcal{Y}_2$ be QPRFs. Then we have for any polynomial-time quantum oracle algorithm \mathcal{A} ,*

$$\left| \Pr_{k_1 \leftarrow \mathcal{K}_1, k_2 \leftarrow \mathcal{K}_2} \left[\mathcal{A}^{F_{k_1}, G_{k_2}} \left(1^\lambda \right) = 1 \right] - \Pr_{f \leftarrow \mathcal{Y}_1^{\mathcal{X}_1}, g \leftarrow \mathcal{Y}_2^{\mathcal{X}_2}} \left[\mathcal{A}^{f, g} \left(1^\lambda \right) = 1 \right] \right| = \text{negl}(\lambda) \quad .$$

It also holds if $\mathcal{X}_2 = \mathcal{Y}_2$, G is a family of QPRPs and $g \leftarrow \mathcal{Y}_2^{\mathcal{X}_2}$ is replaced by $g \leftarrow S_{\mathcal{X}_2}$.

2.3.2 QUANTUM PSEUDORANDOMNESS

The concept of quantum pseudorandom state generators was originally introduced in [JLS18].

Definition 2.10 (Quantum Pseudorandom State Generator). *Let \mathcal{K} be a key space and \mathcal{H} be a Hilbert space. \mathcal{K} and \mathcal{H} depend on the security parameter λ . A pair of polynomial-time quantum algorithms (K, G) is a pseudorandom state generator (PRSG) if the following holds:*

- **Key Generation.** $K(1^\lambda)$ chooses a uniform $k \in \mathcal{K}$ and outputs it as the key.
- **State Generation.** For all $k \in \mathcal{K}$, $G(1^\lambda, k)$ outputs a quantum state $|\phi_k\rangle \in \mathcal{S}(\mathcal{H})$.
- **Pseudorandomness.** Any polynomially many copies of $|\phi_k\rangle$ with the same random k is computationally indistinguishable from the same number of copies of a Haar random state. More precisely, for any $n \in \mathbb{N}$, any efficient quantum algorithm \mathcal{A} and any $\ell \in \text{poly}(\lambda)$,

$$\left| \Pr_{k \leftarrow \mathcal{K}} \left[\mathcal{A}(|\phi_k\rangle^{\otimes \ell}) = 1 \right] - \Pr_{|\psi\rangle \leftarrow \mu} \left[\mathcal{A}(|\psi\rangle^{\otimes \ell}) = 1 \right] \right| = \text{negl}(\lambda) \quad ,$$

where μ is the Haar measure on $\mathcal{S}(\mathcal{H})$.

We call the keyed family of quantum states $\{\phi_k\}_{k \in \mathcal{K}}$ a pseudorandom quantum state (PRS) in \mathcal{H} .

PRSGs exist assuming the existence of QPRFs. Given any QPRF $\text{PRF} : \mathcal{K} \times \{0, 1\}^n \rightarrow \{0, 1\}^n$ (where \mathcal{K} and $N = 2^n$ are implicitly functions of the security parameter λ), [JLS18] constructed a PRS $\{\phi_k\}_{k \in \mathcal{K}}$, referred to (pseudo)random phase states, as follows:

$$|\phi_k\rangle = \frac{1}{\sqrt{N}} \sum_{x \in \{0,1\}^n} \omega_N^{\text{PRF}_k(x)} |x\rangle$$

for $k \in \mathcal{K}$ and $\omega_N = e^{i\frac{2\pi}{N}}$. Additionally, they conjectured the variant with binary phase (i.e., replacing ω_N with -1) remains a PRS, and this was later confirmed in [BS19].

It is worth noting that both of these constructions rely on state generation algorithms that require a specific initial state, typically the all-zero state $|0\rangle^{\otimes n}$. If we were to use a different initial state, such as the equally weighted superposition state $|+\rangle^{\otimes n}$, their state generation algorithms would fail to produce a pseudorandom state. Therefore, the specific initial state is crucial for the success of these constructions.

3 PSEUDORANDOM STATE SCRAMBLERS

We describe our new primitive *quantum Pseudorandom State Scramblers* (PRSS). A PRSS is capable of generating a pseudorandom state on an arbitrary initial state, addressing the limitation of acting on one specific initial state.

Definition 3.1 (Pseudorandom State Scrambler). *Let \mathcal{H}_{in} and \mathcal{H}_{out} be Hilbert spaces of dimensions 2^n and 2^m respectively with $n, m \in \mathbb{N}$ and $n \leq m$. Let $\mathcal{K} = \{0, 1\}^k$ be a key space, and λ be a security parameter. A pseudorandom state scrambler (PRSS) is an ensemble of isometric operators*

$$\mathcal{R}^{n,m} := \{ \{ \mathcal{R}_k^{n,m,\lambda} : \mathcal{H}_{\text{in}} \rightarrow \mathcal{H}_{\text{out}} \}_{k \in \mathcal{K}} \}_\lambda \quad ,$$

Random	Pseudorandom	Main property
Haar unitary	PRU $\{U_k\}$	$\{U_k\} \approx_c$ Haar unitary
RSS	PRSS $\{\mathcal{R}_k\}$	$\forall \phi\rangle, \{\mathcal{R}_k \phi\rangle\} \approx$ Haar state (trace distance or comp. indist.)
Haar state	PRSG $\{\mathcal{R}_k\}$	$\{\mathcal{R}_k \phi\rangle\} \approx_c$ Haar state for some <i>fixed</i> $ \phi\rangle$ (e.g., $ 0\rangle$)

Table 1: A collection of quantum random and pseudorandom objects.

satisfying:

- **Pseudorandomness.** For any $\ell = \text{poly}(\lambda)$, any $|\phi\rangle \in \mathcal{S}(\mathcal{H}_{\text{in}})$, and any non-uniform poly-time quantum adversary \mathcal{A} ,

$$\left| \Pr_{k \leftarrow \mathcal{K}} \left[\mathcal{A}(|\phi_k\rangle^{\otimes \ell}) = 1 \right] - \Pr_{|\psi\rangle \leftarrow \mu} \left[\mathcal{A}(|\psi\rangle^{\otimes \ell}) = 1 \right] \right| = \text{negl}(\lambda),$$

where $|\phi_k\rangle := \mathcal{R}_k^{n,m,\lambda} |\phi\rangle$ and μ is the Haar measure on $\mathcal{S}(\mathcal{H}_{\text{out}})$.

- **Uniformity.** $\mathcal{R}^{n,m}$ can be uniformly computed in polynomial time. That is, there is a deterministic Turing machine that, on input $(1^n, 1^m, 1^\lambda, 1^\kappa)$, outputs a quantum circuit Q in $\text{poly}(n, m, \lambda, \kappa)$ time such that for all $k \in \mathcal{K}$ and $|\phi\rangle \in \mathcal{S}(\mathcal{H}_{\text{in}})$

$$Q |k\rangle |\phi\rangle = |k\rangle |\phi_k\rangle,$$

where $|\phi_k\rangle := \mathcal{R}_k^{n,m,\lambda} |\phi\rangle$.

- **Polynomially-bounded key length.** $\kappa = \log |\mathcal{K}| = \text{poly}(m, \lambda)$. As a result, $\mathcal{R}^{n,m}$ can be computed efficiently in time $\text{poly}(n, m, \lambda)$.

By strengthening the pseudorandomness condition in PRSS, we define random state scramblers as follows.

Definition 3.2 (Random State Scrambler). Let \mathcal{H}_{in} and \mathcal{H}_{out} be Hilbert spaces of dimensions 2^n and 2^m respectively with $n, m \in \mathbb{N}$ and $n \leq m$. Let $\mathcal{K} = \{0, 1\}^\kappa$ be a key space, and λ be a security parameter. A random state scrambler (RSS) is an ensemble of isometric operators $\mathcal{R}^{n,m} := \{\mathcal{R}^{n,m,\lambda}\}_\lambda$ with $\mathcal{R}^{n,m,\lambda} := \{\mathcal{R}_k^{n,m,\lambda} : \mathcal{H}_{\text{in}} \rightarrow \mathcal{H}_{\text{out}}\}_{k \in \mathcal{K}}$ satisfying:

- **Statistical Pseudorandomness.** For any $\ell = \text{poly}(\lambda)$, and any $|\phi\rangle \in \mathcal{S}(\mathcal{H}_{\text{in}})$,

$$\text{TD} \left(\mathbb{E}_{k \leftarrow \mathcal{K}} [|\phi_k\rangle\langle\phi_k|^{\otimes \ell}], \mathbb{E}_{|\psi\rangle \in \mu} [|\psi\rangle\langle\psi|^{\otimes \ell}] \right) = \text{negl}(\lambda),$$

where $|\phi_k\rangle := \mathcal{R}_k^{n,m,\lambda} |\phi\rangle$ and μ is the Haar measure on $\mathcal{S}(\mathcal{H}_{\text{out}})$.

- **Uniformity.** $\mathcal{R}^{n,m}$ can be uniformly computed in polynomial time. That is, there is a deterministic Turing machine that, on input $(1^n, 1^m, 1^\lambda, 1^\kappa)$, outputs a quantum circuit Q in $\text{poly}(n, m, \lambda, \kappa)$ time such that for all $k \in \mathcal{K}$ and $|\phi\rangle \in \mathcal{S}(\mathcal{H}_{\text{in}})$

$$Q |k\rangle |\phi\rangle = |k\rangle |\phi_k\rangle,$$

where $|\phi_k\rangle := \mathcal{R}_k^{n,m,\lambda} |\phi\rangle$.

3.1 PROPERTIES OF PSEUDORANDOM STATE SCRAMBLERS

We discuss basic characteristics of the new primitives, as well as their relationships with pseudorandom state generators and their siblings.

Unitary to isometry. It is sufficient to construct PRSSs from \mathcal{H} to \mathcal{H} , since we can construct PRSSs from \mathcal{H}_1 to \mathcal{H}_2 ($n < m$) in the following way. Let $\mathcal{R}^{m,m} := \{\mathcal{R}^{m,m,\lambda}\}_\lambda$ be a PRSS with $\mathcal{R}^{m,m,\lambda} := \{\mathcal{R}_k^{m,m,\lambda} : \mathcal{H}_2 \rightarrow \mathcal{H}_2\}$. For all $\lambda \in \mathbb{N}$ and $k \in \mathcal{K}$, we define $\mathcal{R}_k^{n,m,\lambda} = \mathcal{R}_k^{m,m,\lambda} \left(\mathbb{1} \otimes |0\rangle^{\otimes(m-n)} \right)$ where $\mathbb{1}$ is the identity of \mathcal{H}_1 . It is not hard to verify that $\mathcal{R}^{n,m}$ is a PRSS from \mathcal{H}_1 to \mathcal{H}_2 . We may write \mathcal{R}^m instead of $\mathcal{R}^{m,m}$ when $m = n$.

Connections with Existing PRS variants. Several definitions of quantum pseudorandomness on states with slight variations have been proposed and constructed since the regular PRS has been introduced. Brakerski and Shmueli [BS20b] introduced scalable pseudorandom states (scalable PRSs) to eliminate the dependence between the state size and the security parameter. This modification aids in assuring the security when the state size n is much smaller than the security parameter λ . Ananth, Qian and Yuen [AQY22] introduced pseudorandom function-like states (PRFSs), which extend PRSs by augmenting with classical inputs alongside the secret key. Although the security is initially based on pre-selected classical queries to the PRFS generator, the subsequent work [AGQY22] relaxes this to allow adversaries making adaptive (classical or quantum) queries resulting in three levels of security. The following theorem states that PRSSs subsume the original PRSs and those variants. The proof is deferred to [Appendix A](#).

Theorem 3.3. *PRSGs, scalable PRSGs, and PRFSGs can be constructed via invoking PRSSs in a black-box manner.*

Oracle Separation from OWFs. According to [Kre21, Theorem 2], PRUs exist relative to a quantum oracle O , even when $\text{BQP}^O = \text{QMA}^O$, indicating the non-existence of one-way functions. Since PRUs imply PRSSs, we obtain the same oracle separation result for PRSSs.

Theorem 3.4. *There exists a quantum oracle O relative to which PRSSs exist, but $\text{BQP}^O = \text{QMA}^O$.*

4 PARALLEL KAC'S WALK

In this section, we will introduce the parallel Kac's walk on a unit sphere. The motivation to design a parallel version of Kac's walk is that quantum computers are capable of implementing exponentially many steps of Kac's walk within one iteration, involving only polynomially many gates. We assume $n = 2m$ for some $m \in \mathbb{N}$ throughout this section.

4.1 BACKGROUND: KAC'S WALK AND THE PROPORTIONAL COUPLING

Kac's walk on vectors within a real Hilbert space is a Markov process that facilitates the transformation of an arbitrary unit vector into a Haar random vector. At each discrete time step of the process, two coordinates of the vector are randomly selected from its components, and then a

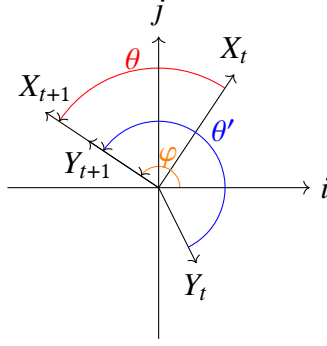


Figure 1: Transformation of subcoordinates $X_t[i, j]$ and $Y_t[i, j]$

rotation is applied with an angle drawn randomly and uniformly. After a predetermined number of steps, the resulting vector exhibits a Haar distribution over the unit sphere. Here we give its formal definition.

Definition 4.1. *Kac's walk on $\mathcal{S}_{\mathbb{R}}^n$ is a discrete-time Markov chain $\{X_t \in \mathcal{S}_{\mathbb{R}}^n\}_{t \geq 0}$. At each time t , two coordinates $i^{(t)}, j^{(t)} \in [n]$ and an angle $\theta^{(t)} \in [0, 2\pi)$ are chosen uniformly at random. X_{t+1} is obtained by the following update rules:*

$$\begin{aligned} \begin{pmatrix} X_{t+1}[i^{(t)}] \\ X_{t+1}[j^{(t)}] \end{pmatrix} &= \begin{bmatrix} \cos(\theta^{(t)}) & -\sin(\theta^{(t)}) \\ \sin(\theta^{(t)}) & \cos(\theta^{(t)}) \end{bmatrix} \begin{pmatrix} X_t[i^{(t)}] \\ X_t[j^{(t)}] \end{pmatrix}, \\ X_{t+1}[k] &= X_t[k] \quad \text{for } k \notin \{i^{(t)}, j^{(t)}\}. \end{aligned}$$

We denote the Kac's walk as $G : [n] \times [n] \times [0, 2\pi) \times \mathcal{S}_{\mathbb{R}}^n \rightarrow \mathcal{S}_{\mathbb{R}}^n$ such that

$$X_{t+1} = G\left(i^{(t)}, j^{(t)}, \theta^{(t)}, X_t\right). \quad (1)$$

Pillai and Smith have devised a coupling of two copies of Kac's walk, named the *proportional coupling* [PS17]. This coupling serves as a key part in their two-stage coupling which establishes the $\Theta(n \log n)$ total variation mixing time of Kac's walk on $\mathcal{S}_{\mathbb{R}}^n$. The proportional coupling is straightforward, as illustrated in Figure 1. At each time t , a rotation angle θ is chosen uniformly at random from $[0, 2\pi)$ for the subvector $(X_t[i], X_t[j])$, where indices i and j are picked as in Definition 4.1. The angle θ' is specifically selected for $(Y_t[i], Y_t[j])$ to make it collinear with $(X_t[i], X_t[j])$, i.e., they share the same argument φ . Both θ and θ' follow a uniform distribution within the interval $[0, 2\pi)$, and thus the proportional coupling is a valid coupling for two Kac's walks. The proportional coupling manages to sufficiently reduce the distance between two copies of Kac's walk.

Lemma 4.2 (Lemma 3.3, [PS17]). *Let $X_0, Y_0 \in \mathcal{S}_{\mathbb{R}}^n$. For $t \geq 0$, we couple (X_{t+1}, Y_{t+1}) conditioned on (X_t, Y_t) according to the proportional coupling. Then for any $l \in \mathbb{N}$, Kac's walk on $\mathcal{S}_{\mathbb{R}}^n$ satisfies*

$$\mathbb{E} \left[\sum_{i=1}^n (X_l[i]^2 - Y_l[i]^2)^2 \right] \leq 2 \cdot \left(1 - \frac{1}{2n}\right)^l.$$

Later on, we present the parallel Kac's walk. Each step of the parallel Kac's walk can be viewed as taking $n/2$ steps in the original Kac's walk. However, the $n/2$ pairs being rotated in

a single step of the parallel Kac's walk are distinct, and thus not independent. Consequently, the results for the original Kac's walk in [PS17] cannot be directly applied here. Fortunately, by extending the proportional coupling above, we are able to prove that the parallel Kac's walk rapidly mixes in time $O(\log n)$ with respect to Wasserstein 1-distance.

4.2 PARALLEL KAC'S WALK ON REAL SPACE

In the parallel version of Kac's walk, instead of randomly rotating a pair of basis vectors, we simultaneously rotate m pairs of vectors, which are determined by a random matching. The formal definition is given below.

Definition 4.3. *The parallel Kac's walk is a discrete-time Markov chain $\{X_t \in \mathcal{S}_{\mathbb{R}}^n\}_{t \geq 0}$. At each step t , the parallel Kac's walk first selects a random perfect matching of the set $\{1, \dots, n\}$, denoted by*

$$P_t = \left\{ \left(i_1^{(t)}, j_1^{(t)} \right), \dots, \left(i_m^{(t)}, j_m^{(t)} \right) \right\} ,$$

where $\bigcup_{k=1}^m \{i_k^{(t)}, j_k^{(t)}\} = \{1, \dots, n\}$. Then m independent angles $\theta_1^{(t)}, \dots, \theta_m^{(t)} \in [0, 2\pi)$ are chosen uniformly at random. For every pair $(i_k^{(t)}, j_k^{(t)})$ in P_t , it sets

$$\begin{pmatrix} X_{t+1}[i_k^{(t)}] \\ X_{t+1}[j_k^{(t)}] \end{pmatrix} = \begin{bmatrix} \cos(\theta_k^{(t)}) & -\sin(\theta_k^{(t)}) \\ \sin(\theta_k^{(t)}) & \cos(\theta_k^{(t)}) \end{bmatrix} \begin{pmatrix} X_t[i_k^{(t)}] \\ X_t[j_k^{(t)}] \end{pmatrix} .$$

Let $F : ([n] \times [n])^m \times [0, 2\pi)^m \times \mathcal{S}_{\mathbb{R}}^n \rightarrow \mathcal{S}_{\mathbb{R}}^n$ denote the map associated with the above random walk such that

$$X_{t+1} = F\left(P_t, \theta_1^{(t)}, \dots, \theta_m^{(t)}, X_t\right) . \quad (2)$$

In one step of the parallel Kac's walk, we obtain m distinct coordinate pairs by randomly sampling a perfect matching P_t of set $[n]$. For each pair, a rotation angle is selected independently and uniformly at random. Recall the notation in Definition 4.1. Let $X_{t,1} = X_t$ and $X_{t,k+1} = G\left(i_k^{(t)}, j_k^{(t)}, \theta_k^{(t)}, X_{t,k}\right)$ for $1 \leq k \leq m$. It is evident that

$$X_{t,m+1} = X_{t+1} = F\left(P_t, \theta_1^{(t)}, \dots, \theta_m^{(t)}, X_t\right) .$$

Thus, taking one step of the parallel Kac's walk can be viewed as taking $m = n/2$ steps in the classical Kac's walk.

The Wasserstein 1-distance between the output distribution of a parallel Kac's walk after T steps and the normalized Haar measure on $\mathcal{S}_{\mathbb{R}}^n$ decays exponentially as T grows. Formally,

Theorem 4.4. *Let $\{X_t \in \mathcal{S}_{\mathbb{R}}^n\}_{t \geq 0}$ be a Markov chain that evolves according to the parallel Kac's walk. Then, for sufficiently large n , $c > 0$, and $T = 10(c + 1) \log n$,*

$$\sup_{X_0 \in \mathcal{S}_{\mathbb{R}}^n} W_1(\mathcal{L}(X_T), \mu) \leq \frac{1}{2^c \log n} ,$$

where μ is the normalized Haar measure on $\mathcal{S}_{\mathbb{R}}^n$.

To prove Theorem 4.4, we extend the proportional coupling described in [PS17] to accommodate parallel Kac's walks.

4.2.1 THE PROPORTIONAL COUPLING

We define the proportional coupling of two copies of the parallel Kac's walk.

Definition 4.5 (Proportional Coupling). *We define a coupling of two copies $\{X_t\}_{t \geq 0}, \{Y_t\}_{t \geq 0}$ of the parallel Kac's walk in the following way: Fix $X_t, Y_t \in \mathcal{S}_{\mathbb{R}}^n$.*

1. Choose a perfect matching $P_t = \left\{ \left(i_1^{(t)}, j_1^{(t)} \right), \dots, \left(i_m^{(t)}, j_m^{(t)} \right) \right\}$ and m angles $\theta_1^{(t)}, \dots, \theta_m^{(t)} \in [0, 2\pi)$ uniformly at random, and set $X_{t+1} = F\left(P_t, \theta_1^{(t)}, \dots, \theta_m^{(t)}, X_t\right)$.

2. Sample m angles $\theta'_1{}^{(t)}, \dots, \theta'_m{}^{(t)}$ in the following manner: for every $1 \leq k \leq m$,

(a) choose $\varphi_k \in [0, 2\pi)$ uniformly at random among all angles that satisfy

$$\begin{aligned} X_{t+1}[i_k^{(t)}] &= \sqrt{X_t[i_k^{(t)}]^2 + X_t[j_k^{(t)}]^2} \cos(\varphi_k) \ , \\ X_{t+1}[j_k^{(t)}] &= \sqrt{X_t[i_k^{(t)}]^2 + X_t[j_k^{(t)}]^2} \sin(\varphi_k) \ , \end{aligned}$$

(b) and then choose $\theta'_k{}^{(t)} \in [0, 2\pi)$ uniformly among the angles that satisfy

$$\begin{aligned} \cos(\theta'_k{}^{(t)}) \cdot Y_t[i_k^{(t)}] - \sin(\theta'_k{}^{(t)}) \cdot Y_t[j_k^{(t)}] &= \sqrt{Y_t[i_k^{(t)}]^2 + Y_t[j_k^{(t)}]^2} \cos(\varphi_k) \ , \\ \sin(\theta'_k{}^{(t)}) \cdot Y_t[i_k^{(t)}] + \cos(\theta'_k{}^{(t)}) \cdot Y_t[j_k^{(t)}] &= \sqrt{Y_t[i_k^{(t)}]^2 + Y_t[j_k^{(t)}]^2} \sin(\varphi_k) \ . \end{aligned}$$

And set $Y_{t+1} = F\left(P_t, \theta'_1{}^{(t)}, \dots, \theta'_m{}^{(t)}, Y_t\right)$.

In this coupling scheme, we enforce X_t and Y_t to employ an identical random matching (P_t in step 1) to generate all the m pairs of coordinates. And then we sample m rotation angles for X_t and obtain X_{t+1} by rotating the m coordinate pairs by their corresponding angles. Next, in step 2, we determine the rotation angle for each coordinate pair of Y_t . For the k -th pair, our objective is to select a suitable angle $\theta'_k{}^{(t)}$ such that the two-dimensional sub-vector $(Y_{t+1}[i_k^{(t)}], Y_{t+1}[j_k^{(t)}])$ aligns collinearly with $(X_{t+1}[i_k^{(t)}], X_{t+1}[j_k^{(t)}])$. To achieve this, we ensure that $(Y_{t+1}[i_k^{(t)}], Y_{t+1}[j_k^{(t)}])$ shares the same argument φ_k as $(X_{t+1}[i_k^{(t)}], X_{t+1}[j_k^{(t)}])$. Typically, the values of angles φ_k and $\theta'_k{}^{(t)}$ are uniquely determined. However, in the scenario where either $(X_t[i_k^{(t)}], X_t[j_k^{(t)}])$ or $(Y_t[i_k^{(t)}], Y_t[j_k^{(t)}])$ equals the zero vector, all angles satisfy the required conditions. In such cases, we resort to uniform random selection for determining the angles.

Remark 4.6. *This coupling forces $X_{t+1}[i]Y_{t+1}[i] \geq 0$ for all $i \in [n]$ since the signs are determined by the same arguments.*

The proportional coupling is a simple yet powerful technique for bringing two vectors closer together. In each step of this coupling, a quarter of the distance between vectors X_t and Y_t is reduced, resulting in their gradual convergence. By consistently shrinking a quarter of the distance, the vectors steadily approach each other, ultimately achieving proximity. Formally, we have

Lemma 4.7. Let $X_0, Y_0 \in \mathcal{S}_{\mathbb{R}}^n$. For $t \geq 0$, we couple (X_{t+1}, Y_{t+1}) conditioned on (X_t, Y_t) according to the proportional coupling defined in [Definition 4.5](#). We define

$$A_t[i] = X_t[i]^2, \quad B_t[i] = Y_t[i]^2.$$

Then for any $l \in \mathbb{N}$, we have

$$\mathbb{E} \left[\sum_{i=1}^n (A_t[i] - B_t[i])^2 \right] \leq 2 \cdot \left(\frac{3}{4} \right)^l.$$

Proof. Fix $X_t, Y_t \in \mathcal{S}_{\mathbb{R}}^n$. Let (X_{t+1}, Y_{t+1}) obtained from (X_t, Y_t) by applying the coupling defined in [Definition 4.5](#). Recall that $n = 2m$. Let $N = \frac{n!}{2^m m!}$ be the number of perfect matchings for $[n]$. To keep the notations short, the perfect matching $\left\{ \left(i_1^{(t)}, j_1^{(t)} \right), \dots, \left(i_m^{(t)}, j_m^{(t)} \right) \right\}$ at step t is denoted by $\left(\vec{i}^{(t)}, \vec{j}^{(t)} \right)$.

We have

$$\mathbb{E} \left[\sum_{i=1}^n (A_{t+1}[i] - B_{t+1}[i])^2 \right] = \frac{1}{N} \sum_{\left(\vec{i}^{(t)}, \vec{j}^{(t)} \right)} \underbrace{\mathbb{E} \left[\sum_{i=1}^n (A_{t+1}[i] - B_{t+1}[i])^2 \middle| P_t = \left(\vec{i}^{(t)}, \vec{j}^{(t)} \right) \right]}_{(\star)}. \quad (3)$$

By the definition of the parallel Kac's walk, we have

$$\begin{aligned} (\star) &= \sum_{k=1}^m \mathbb{E} \left[\left(\left(A_t[i_k^{(t)}] + A_t[j_k^{(t)}] \right) \cos(\varphi_k)^2 - \left(B_t[i_k^{(t)}] + B_t[j_k^{(t)}] \right) \cos(\varphi_k)^2 \right)^2 \right] \\ &\quad + \sum_{k=1}^m \mathbb{E} \left[\left(\left(A_t[i_k^{(t)}] + A_t[j_k^{(t)}] \right) \sin(\varphi_k)^2 - \left(B_t[i_k^{(t)}] + B_t[j_k^{(t)}] \right) \sin(\varphi_k)^2 \right)^2 \right] \\ &= \frac{3}{4} \sum_{k=1}^m \left(\left(A_t[i_k^{(t)}] + A_t[j_k^{(t)}] \right) - \left(B_t[i_k^{(t)}] + B_t[j_k^{(t)}] \right) \right)^2 \\ &= \frac{3}{4} \underbrace{\sum_{k=1}^m \left(\left(A_t[i_k^{(t)}] - B_t[i_k^{(t)}] \right)^2 + \left(A_t[j_k^{(t)}] - B_t[j_k^{(t)}] \right)^2 \right)}_{(\star\star)} \\ &\quad + \frac{3}{4} \underbrace{\sum_{k=1}^m 2 \left(A_t[i_k^{(t)}] - B_t[i_k^{(t)}] \right) \left(A_t[j_k^{(t)}] - B_t[j_k^{(t)}] \right)}_{(\star\star\star)}, \end{aligned} \quad (4)$$

where the second equality is by $\mathbb{E}[\cos(\varphi_k)^4] = \mathbb{E}[\sin(\varphi_k)^4] = 3/8$.

As $\left\{ \left(i_1^{(t)}, j_1^{(t)} \right), \dots, \left(i_m^{(t)}, j_m^{(t)} \right) \right\}$ is a perfect matching, we have

$$(\star\star) = \frac{3}{4} \sum_{i=1}^n (A_t[i] - B_t[i])^2. \quad (5)$$

Combing Eqs. (3)(4)(5), we obtain

$$\mathbb{E} \left[\sum_{i=1}^n (A_{t+1}[i] - B_{t+1}[i])^2 \right] = \frac{3}{4} \sum_{i=1}^n (A_t[i] - B_t[i])^2 + \underbrace{\frac{1}{N} \sum_{\binom{i^{(t)}}{j^{(t)}}} (\star \star \star)}_{(4\star)} . \quad (6)$$

For the last term,

$$\begin{aligned} (4\star) &= \frac{3}{2N} \sum_{\binom{i^{(t)}}{j^{(t)}}} \sum_{k=1}^m (A_t[i_k^{(t)}] - B_t[i_k^{(t)}]) (A_t[j_k^{(t)}] - B_t[j_k^{(t)}]) \\ &= \frac{3}{2N} \cdot \frac{(n-2)!}{2^{m-1}(m-1)!} \sum_{i < j} (A_t[i] - B_t[i]) (A_t[j] - B_t[j]) \\ &= \frac{3 \cdot m}{2n(n-1)} \left(\left(\sum_{i=1}^n (A_t[i] - B_t[i]) \right)^2 - \sum_{i=1}^n (A_t[i] - B_t[i])^2 \right) \\ &= -\frac{3}{4(n-1)} \sum_{i=1}^n (A_t[i] - B_t[i])^2 . \end{aligned} \quad (7)$$

Combining Eqs. (6)(7), we have

$$\begin{aligned} \mathbb{E} \left[\sum_{i=1}^n (A_l[i] - B_l[i])^2 \right] &= \mathbb{E} \left[\mathbb{E} \left[\sum_{i=1}^n (A_l[i] - B_l[i])^2 \middle| X_{l-1}, Y_{l-1} \right] \right] \\ &\leq \frac{3}{4} \mathbb{E} \left[\sum_{i=1}^n (A_{l-1}[i] - B_{l-1}[i])^2 \right] \\ &\leq \left(\frac{3}{4} \right)^l \sum_{i=1}^n (A_0[i] - B_0[i])^2 \leq 2 \cdot \left(\frac{3}{4} \right)^l . \end{aligned}$$

□

4.2.2 PROOF OF THE MIXING TIME

Proof of Theorem 4.4. Let $T = 10(c+1) \log n$ for $c > 0$. We couple two copies $\{X_t\}_{t \geq 0}$ and $\{Y_t\}_{t \geq 0}$ of the parallel Kac's walk with starting points $X_0 = x \in \mathcal{S}_{\mathbb{R}}^n$ and $Y_0 \sim \mu$, by applying the proportional coupling. We have

$$W_1(\mathcal{L}(X_T), \mu) = W_1(\mathcal{L}(X_T), \mathcal{L}(Y_T)) \leq \mathbb{E}[\|X_T - Y_T\|_2] \leq (\mathbb{E}[\|X_T - Y_T\|_2^4])^{1/4} .$$

Then by Cauchy-Schwarz inequality, we have

$$W_1(\mathcal{L}(X_T), \mu) \leq (n \mathbb{E}[\|X_T - Y_T\|_4^4])^{1/4} . \quad (8)$$

Note that the proportional coupling forces $X_T[i]Y_T[i] \geq 0$ for all $i \in [n]$. Therefore, for all $i \in [n]$

$$|X_T[i] - Y_T[i]| \leq |X_T[i] + Y_T[i]| .$$

This gives us

$$\|X_T - Y_T\|_4^4 = \sum_{i=1}^n (X_T[i] - Y_T[i])^4 \leq \sum_{i=1}^n (X_T[i]^2 - Y_T[i]^2)^2 . \quad (9)$$

Combing Eqs. (8) and (9), we have

$$\begin{aligned} W_1(\mathcal{L}(X_T), \mu) &\leq \left(n \mathbb{E} \left[\sum_{i=1}^n (X_T[i]^2 - Y_T[i]^2)^2 \right] \right)^{1/4} \\ (\text{Lemma 4.7}) &\leq \left(2n \left(\frac{3}{4} \right)^T \right)^{1/4} \leq \frac{1}{2^{c \log n}} . \end{aligned}$$

□

4.3 PARALLEL KAC'S WALK ON COMPLEX SPACE

In this section, we extend the parallel Kac's walk to complex vectors. In the real case, for each pair of coordinates, we uniformly select a matrix according to Haar measure on $SO(2)$. In the complex case, we will naturally choose a matrix from $SU(2)$ according to Haar measure on it. The Haar random unitary in $SU(2)$ can be obtained by sampling three random angles [ZK94]. Let

$$U(\alpha, \beta, \theta) = \begin{pmatrix} e^{i\alpha} \cos(\theta) & -e^{i\beta} \sin(\theta) \\ e^{-i\beta} \sin(\theta) & e^{-i\alpha} \cos(\theta) \end{pmatrix} . \quad (10)$$

If we pick $\alpha, \beta \in [0, 2\pi)$ and $\zeta \in [0, 1)$ uniformly at random and set $\theta = \arcsin \sqrt{\zeta}$, then $U(\alpha, \beta, \theta)$ is a Haar random unitary on $SU(2)$.

Kac's walk on complex vectors We define Kac's walk on $\mathcal{S}_{\mathbb{C}}^n$ as a discrete-time Markov chain $\{X_t \in \mathcal{S}_{\mathbb{C}}^n\}_{t \geq 0}$. At each time t , two coordinates $i^{(t)}, j^{(t)} \in \{1, \dots, n\}$ and two angles $\alpha^{(t)}, \beta^{(t)} \in [0, 2\pi)$ are chosen uniformly at random. Additionally, a real number $\zeta^{(t)} \in [0, 1)$ is selected uniformly at random and compute

$$\theta^{(t)} = \arcsin \sqrt{\zeta^{(t)}} .$$

X_{t+1} is obtained by the following update rules:

$$\begin{aligned} \begin{pmatrix} X_{t+1}[i^{(t)}] \\ X_{t+1}[j^{(t)}] \end{pmatrix} &= U(\alpha^{(t)}, \beta^{(t)}, \theta^{(t)}) \begin{pmatrix} X_t[i^{(t)}] \\ X_t[j^{(t)}] \end{pmatrix} , \\ X_{t+1}[k] &= X_t[k] \quad \text{for } k \notin \{i^{(t)}, j^{(t)}\} . \end{aligned}$$

We denote the Kac's walk on complex vectors as $G_{\mathbb{C}} : [n] \times [n] \times [0, 2\pi)^3 \times \mathcal{S}_{\mathbb{C}}^n \rightarrow \mathcal{S}_{\mathbb{C}}^n$ such that

$$X_{t+1} = G_{\mathbb{C}}(i^{(t)}, j^{(t)}, \alpha^{(t)}, \beta^{(t)}, \theta^{(t)}, X_t) .$$

Parallel Kac's walk on complex vectors In a parallel Kac's walk, we choose a perfect matching at each step and apply the one-step Kac's walk $G_{\mathbb{C}}$ on each pair. More specifically, the parallel

Kac's walk on complex vectors is a discrete-time Markov chain $\{X_t \in \mathcal{S}_{\mathbb{C}}^n\}_{t \geq 0}$. At each step t , it first selects a random perfect matching of the set $[n]$, denoted by

$$P_t = \left\{ \left(i_1^{(t)}, j_1^{(t)} \right), \dots, \left(i_m^{(t)}, j_m^{(t)} \right) \right\}$$

where $\bigcup_{k=1}^m \{i_k^{(t)}, j_k^{(t)}\} = [n]$. And then $2m$ independent angles

$$\alpha_1^{(t)}, \dots, \alpha_m^{(t)}, \beta_1^{(t)}, \dots, \beta_m^{(t)} \in [0, 2\pi)$$

are chosen uniformly at random. Additionally, m independent real numbers $\zeta_1^{(t)}, \dots, \zeta_m^{(t)} \in [0, 1)$ are selected uniformly at random and compute

$$\theta_k^{(t)} = \arcsin \left(\sqrt{\zeta_k^{(t)}} \right)$$

for all $k \in \{1, \dots, m\}$. Then for every pair $(i_k^{(t)}, j_k^{(t)})$ in P_t , it sets

$$\begin{pmatrix} X_{t+1}[i_k^{(t)}] \\ X_{t+1}[j_k^{(t)}] \end{pmatrix} = U \left(\alpha_k^{(t)}, \beta_k^{(t)}, \theta_k^{(t)} \right) \begin{pmatrix} X_t[i_k^{(t)}] \\ X_t[j_k^{(t)}] \end{pmatrix} .$$

Let $F_{\mathbb{C}} : ([n] \times [n])^m \times [0, 2\pi)^{3m} \times \mathcal{S}_{\mathbb{C}}^n \rightarrow \mathcal{S}_{\mathbb{C}}^n$ denote the map associated with the above random walk such that

$$X_{t+1} = F_{\mathbb{C}} \left(P_t, \left\{ \alpha_k^{(t)} \right\}_{k=1}^m, \left\{ \beta_k^{(t)} \right\}_{k=1}^m, \left\{ \theta_k^{(t)} \right\}_{k=1}^m, X_t \right) .$$

As the number of steps increases, the output distribution of the parallel Kac's walk on complex vectors converges exponentially fast to the Haar measure in terms of Wasserstein-1 distance. Formally,

Theorem 4.8. *Let $\{X_t \in \mathcal{S}_{\mathbb{C}}^n\}_{t \geq 0}$ be a Markov chain that evolves according to the parallel Kac's walk on complex vectors. Then, for sufficiently large n , $c > 0$ and $T = 10(c + 1) \log n$,*

$$\sup_{X_0 \in \mathcal{S}_{\mathbb{C}}^n} W_1(\mathcal{L}(X_T), \mu) \leq \frac{1}{2^c \log n} ,$$

where $\mu_{\mathbb{C}}$ is the Haar measure on $\mathcal{S}_{\mathbb{C}}^n$.

The proof of [Theorem 4.8](#) follows a similar line of reasoning as the proof of [Theorem 4.4](#) in the real case. Therefore, to avoid redundancy, we defer the complete proof to [Appendix B](#).

5 CONSTRUCTIONS OF RSSs AND PRSSs

In this section, we demonstrate a family of circuits realizing RSSs. The construction follows the parallel Kac's walk on the real (complex) unit sphere. By substituting random primitives with pseudorandom counterparts, we obtain PRSSs.

5.1 CONSTRUCTING OVER THE REAL SPACE

We commence by constructing a unitary gate that simulates a single step of the parallel Kac's walk on $\mathcal{S}_{\mathbb{R}}^{2^n}$. In every step, we denote the corresponding permutation by $\sigma \in S_{2^n}$, and use

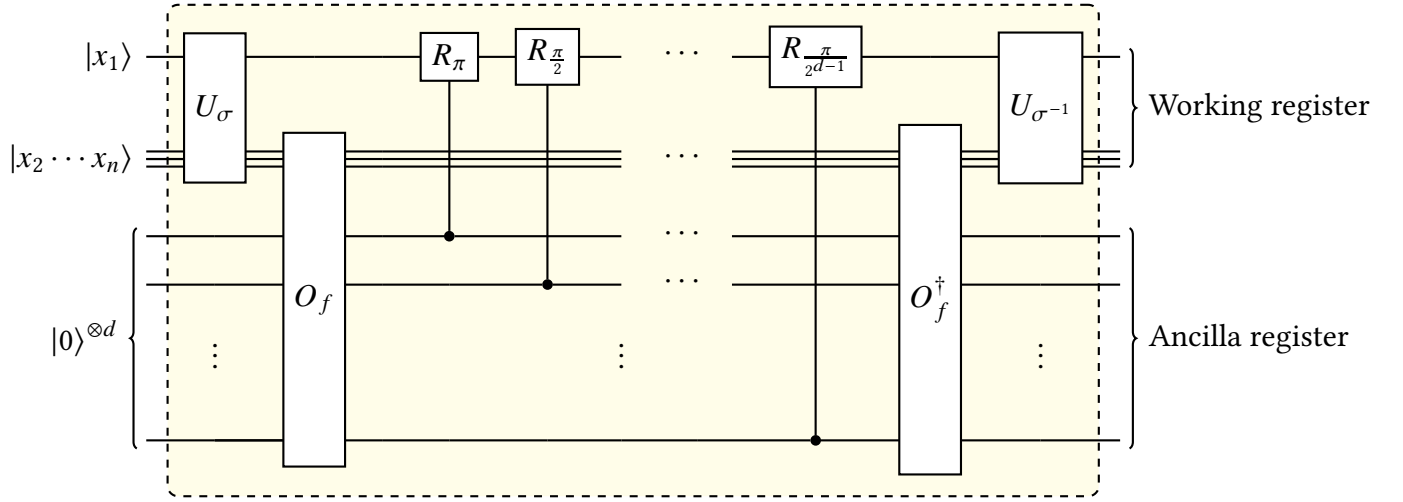


Figure 2: Circuit diagram for the construction of the $K_{\sigma, f}$

the function $f : \{0, 1\}^{n-1} \rightarrow \{0, 1\}^d$ to manage the precision of the rotation angle that was originally chosen from the interval $[0, 2\pi)$. Specifically, for every σ and f , we define a unitary gate $K_{\sigma, f} = U_{\sigma^{-1}} W_f U_\sigma$, where

$$U_\sigma = \sum_{x \in \{0, 1\}^n} |\sigma(x)\rangle \langle x|, \quad W_f = \sum_{y \in \{0, 1\}^{n-1}} \begin{pmatrix} \cos(\theta_y) & -\sin(\theta_y) \\ \sin(\theta_y) & \cos(\theta_y) \end{pmatrix} \otimes |y\rangle \langle y|, \quad (11)$$

and

$$\theta_y = 2\pi \cdot \text{val}(f(y))$$

is the rotation angle for every subvector $(\sigma^{-1}(\overline{0y}), \sigma^{-1}(\overline{1y}))$, $y \in \{0, 1\}^{n-1}$. In [Figure 2](#), we show a quantum circuit that realizes $K_{\sigma, f}$. The circuit consists of:

1. Permutation: a unitary U_σ which transforms $|x\rangle$ to $|\sigma(x)\rangle$ for any $x \in \{0, 1\}^n$. This unitary can be implemented via making queries to oracles O_σ and $O_{\sigma^{-1}}$, and using n ancilla qubits: for any $x \in \{0, 1\}^n$,

$$|x\rangle |0\rangle \xrightarrow{O_\sigma} |x\rangle |\sigma(x)\rangle \xrightarrow{\text{SWAP}} |\sigma(x)\rangle |x\rangle \xrightarrow{O_{\sigma^{-1}}} |\sigma(x)\rangle |0\rangle.$$

We omit this detail in the above figure for the sake of conciseness.

2. Implementing rotation operator W_f :

- (a) an oracle O_f which queries $f(x_2, \dots, x_n)$ and stores the d -bit result in the ancilla qubits.
- (b) d controlled-rotation gates. The i -th ancilla qubit controls $R_{\frac{\pi}{2^{d-1}}}$ gate acting on the first qubit, where the gate R_θ denotes the rotation transformation $\begin{pmatrix} \cos \theta & -\sin \theta \\ \sin \theta & \cos \theta \end{pmatrix}$.
- (c) an oracle O_f again for uncomputing the ancilla qubits.

3. Inverse permutation: a unitary $U_{\sigma^{-1}}$.

Remark. The gate $K_{\sigma,f}$ approximates one step of the parallel Kac's walk. It starts by partitioning the computational basis (indices) into 2^{n-1} pairs based on a selected permutation σ . For each pair $(\sigma^{-1}(\overline{0y}), \sigma^{-1}(\overline{1y}))$ labeled by $y \in \{0, 1\}^{n-1}$, the gate applies a rotation with an approximated angle θ_y , indicated by f to the corresponding two dimensional subvector.

5.1.1 STEPWISE STATE EVOLUTION

To gain insight into the functionality of $K_{\sigma,f}$, we assume the initial state to be a pure state

$$|\varphi\rangle = \sum_{x \in \{0,1\}^n} p_x |x\rangle.$$

First, to pair up the indices by applying U_σ , the initial state is transformed into

$$\begin{aligned} \sum_{x \in \{0,1\}^n} p_x |\sigma(x)\rangle \otimes |0^d\rangle &= \sum_{x' \in \{0,1\}^n} p_{\sigma^{-1}(x')} |x'\rangle \otimes |0^d\rangle \\ &= \sum_{y \in \{0,1\}^{n-1}} \left(p_{\sigma^{-1}(\overline{0y})} |0\rangle + p_{\sigma^{-1}(\overline{1y})} |1\rangle \right) \otimes |y\rangle \otimes |0^d\rangle. \end{aligned}$$

Then, to rotate each subvector, the oracle O_f stores $f(y)$ in the ancilla register as control qubits, resulting in the state

$$\sum_{y \in \{0,1\}^{n-1}} \left(p_{\sigma^{-1}(\overline{0y})} |0\rangle + p_{\sigma^{-1}(\overline{1y})} |1\rangle \right) \otimes |y\rangle \otimes |f(y)\rangle.$$

Next, a series of controlled-rotation gates are applied to the first qubit, rotating it by an angle of $\theta_y = 2\pi \cdot \text{val}(f(y))$. Therefore, we have the following state:

$$\sum_{y \in \{0,1\}^{n-1}} \left(p'_{\sigma^{-1}(\overline{0y})} |0\rangle + p'_{\sigma^{-1}(\overline{1y})} |1\rangle \right) \otimes |y\rangle \otimes |f(y)\rangle$$

where

$$\begin{aligned} p'_{\sigma^{-1}(\overline{0y})} &= \cos(\theta_y) \cdot p_{\sigma^{-1}(\overline{0y})} - \sin(\theta_y) \cdot p_{\sigma^{-1}(\overline{1y})}, \\ p'_{\sigma^{-1}(\overline{1y})} &= \sin(\theta_y) \cdot p_{\sigma^{-1}(\overline{1y})} + \cos(\theta_y) \cdot p_{\sigma^{-1}(\overline{0y})}. \end{aligned}$$

After reverting the ancilla qubits and applying the inverse permutation, we obtain the output state

$$\sum_{y \in \{0,1\}^{n-1}} \left(p'_{\sigma^{-1}(\overline{0y})} |\sigma^{-1}(\overline{0y})\rangle + p'_{\sigma^{-1}(\overline{1y})} |\sigma^{-1}(\overline{1y})\rangle \right) \otimes |0^d\rangle = \sum_{x \in \{0,1\}^n} p'_x |x\rangle \otimes |0^d\rangle.$$

5.1.2 CONSTRUCTING RSSs

We first define an ensemble RSG^n of unitary operators that represents applying $K_{\sigma,f}$ for T -step with i.i.d. random selections of permutations and functions. Then, we prove that such an ensemble forms an RSS. Recall the notation $(x)_T = x_1, \dots, x_T$.

Definition 5.1. Let $n, T, d \in \mathbb{N}$, and \mathcal{H} be a real Hilbert space with dimension 2^n . An ensemble of unitary operators $\text{RSG}^n := \{\text{RSG}^{n,\lambda}\}_\lambda$ with

$$\text{RSG}^{n,\lambda} := \left\{ \text{RSG}_{(\sigma)_T, (f)_T}^{n,\lambda} : \mathcal{H} \rightarrow \mathcal{H} \right\}_{(\sigma)_T \in S_{2^n}, (f)_T : \{0,1\}^{n-1} \rightarrow \{0,1\}^d}$$

is define as

$$\text{RSG}_{(\sigma)_T, (f)_T}^{n, \lambda} = K_{\sigma_T, f_T} \cdots K_{\sigma_2, f_2} K_{\sigma_1, f_1}$$

where $K_{\sigma, f} = U_{\sigma^{-1}} W_f U_\sigma$ is defined in (11).

Theorem 5.2. Let $n \in \mathbb{N}$, $d = \log^2 \lambda + \log^2 n$ and $T = 10(\lambda + 1)n$. The ensemble of unitary operators RSG^n defined in Definition 5.1 is an RSS.

To prove Theorem 5.2, we define a new ensemble of (infinitely many) unitary operators $\widetilde{\text{RSG}}^n := \left\{ \widetilde{\text{RSG}}_{(\sigma)_T, (\tilde{f})_T}^{n, \lambda} \right\}_\lambda$ with

$$\widetilde{\text{RSG}}^{n, \lambda} := \left\{ \widetilde{\text{RSG}}_{(\sigma)_T, (\tilde{f})_T}^{n, \lambda} : \mathcal{H} \rightarrow \mathcal{H} \right\}_{(\sigma)_T \in S_{2^n}, (\tilde{f})_T : \{0, 1\}^{n-1} \rightarrow [0, 1]}$$

and

$$\widetilde{\text{RSG}}_{(\sigma)_T, (\tilde{f})_T}^{n, \lambda} = \widetilde{K}_{\sigma_T, \tilde{f}_T} \cdots \widetilde{K}_{\sigma_2, \tilde{f}_2} \widetilde{K}_{\sigma_1, \tilde{f}_1}$$

where $\widetilde{K}_{\sigma, \tilde{f}} = U_{\sigma^{-1}} \widetilde{W}_{\tilde{f}} U_\sigma$ and $\widetilde{W}_{\tilde{f}}$ is defined to be

$$\widetilde{W}_{\tilde{f}} = \sum_{y \in \{0, 1\}^{n-1}} \begin{pmatrix} \cos(\tilde{\theta}_y) & -\sin(\tilde{\theta}_y) \\ \sin(\tilde{\theta}_y) & \cos(\tilde{\theta}_y) \end{pmatrix} \otimes |y\rangle\langle y|, \quad (12)$$

in which $\tilde{\theta}_y = 2\pi \cdot \tilde{f}(y)$ for $y \in \{0, 1\}^{n-1}$.

RSG^n and $\widetilde{\text{RSG}}^n$ differ in the way the angles are chosen. In RSG^n , the angles are selected from the discrete set $\{2\pi \cdot \frac{i}{2^d} : i \in \{0, 1, \dots, 2^d - 1\}\}$, while in $\widetilde{\text{RSG}}^n$, the angles are chosen from the interval $[0, 2\pi)$. For uniformly random σ and \tilde{f} , applying gate $\widetilde{K}_{\sigma, \tilde{f}}$ results in the selection of a random matching on the computational basis, with each pair in the matching being rotated by a random angle in $[0, 2\pi)$ determined by the corresponding value of \tilde{f} . This is exactly one step of parallel Kac's walk described in Section 4. $\widetilde{\text{RSG}}^n$ serves as an intermediate scrambler in the proof of Theorem 5.2. To analyse the difference between RSG^n and $\widetilde{\text{RSG}}^n$, we need the following lemma.

Lemma 5.3. Let $\sigma \in S_{2^n}$ and $\tilde{f} : \{0, 1\}^{n-1} \rightarrow [0, 1)$. Let f be the function satisfying for any $y \in \{0, 1\}^{n-1}$, $f(y)$ is the d digits after the binary point in $\tilde{f}(y)$. Then

$$\left\| K_{\sigma, f} - \widetilde{K}_{\sigma, \tilde{f}} \right\|_\infty \leq 2^{1-d} \pi,$$

where $K_{\sigma, f} = U_{\sigma^{-1}} W_f U_\sigma$ is defined in (11) and $\widetilde{K}_{\sigma, \tilde{f}} = U_{\sigma^{-1}} \widetilde{W}_{\tilde{f}} U_\sigma$ is defined in (12).

Proof.

$$\begin{aligned} \left\| K_{\sigma, f} - \widetilde{K}_{\sigma, \tilde{f}} \right\|_\infty &= \left\| U_{\sigma^{-1}} \left(W_f - \widetilde{W}_{\tilde{f}} \right) U_\sigma \right\|_\infty \\ &= \left\| \sum_{y \in \{0, 1\}^{n-1}} \begin{pmatrix} \cos \theta_y - \cos \tilde{\theta}_y & -\left(\sin \theta_y - \sin \tilde{\theta}_y \right) \\ \sin \theta_y - \sin \tilde{\theta}_y & \cos \theta_y - \cos \tilde{\theta}_y \end{pmatrix} \otimes |y\rangle\langle y| \right\|_\infty \\ &= \max_{y \in \{0, 1\}^{n-1}} \left\{ 2 \left| \sin \frac{\theta_y - \tilde{\theta}_y}{2} \right| \left\| \begin{pmatrix} -\sin \frac{\theta_y + \tilde{\theta}_y}{2} & -\cos \frac{\theta_y + \tilde{\theta}_y}{2} \\ \cos \frac{\theta_y + \tilde{\theta}_y}{2} & -\sin \frac{\theta_y + \tilde{\theta}_y}{2} \end{pmatrix} \right\|_\infty \right\} \end{aligned}$$

$$\leq \max_{y \in \{0,1\}^{n-1}} \left\{ \left| \theta_y - \tilde{\theta}_y \right| \right\} \leq 2^{1-d} \pi .$$

□

Proof of Theorem 5.2. It is easy to see that the uniformity condition is satisfied. Let κ denote the key length. Quantum circuit $\text{RSG}^{n,\lambda}$ applies $\text{RSG}_{(\sigma)_T, (f)_T}^{n,\lambda}$ after reading $(\sigma)_T$ and $(f)_T$. To implement $\text{RSG}_{(\sigma)_T, (f)_T}^{n,\lambda}$, we need to realize each of the $T = 10(\lambda + 1)n$ unitary gates K . Since each gate K can be implemented in $\text{poly}(n, \lambda, \kappa)$ time, the total construction time for $\text{RSG}_{(\sigma)_T, (f)_T}^{n,\lambda}$ is also $\text{poly}(n, \lambda, \kappa)$.

Thus, it suffices to prove the requirement of *Statistical Pseudorandomness* is satisfied. Fix $|\eta\rangle \in \mathcal{S}(\mathcal{H})$. Define three distributions:

- ν be the distribution of $\text{RSG}_{(\sigma)_T, (f)_T}^{n,\lambda} |\eta\rangle$ with independent and uniformly random permutations $(\sigma)_T \in S_{2^n}$ and random functions $(f)_T : \{0, 1\}^{n-1} \rightarrow \{0, 1\}^d$.
- $\tilde{\nu}$ be the distribution of $\widetilde{\text{RSG}}_{(\sigma)_T, (\tilde{f})_T}^{n,\lambda} |\eta\rangle$ with independent and uniformly random permutations $(\sigma)_T \in S_{2^n}$, and random functions $(\tilde{f})_T : \{0, 1\}^{n-1} \rightarrow [0, 1)$.
- μ be the Haar measure on $\mathcal{S}_{\mathbb{R}}^{2^n}$.

We first prove that the trace distance between ν and $\tilde{\nu}$ is negligible. To this end, we construct a coupling γ_0 of ν and $\tilde{\nu}$ by using the same permutation σ_t and letting f_t be the function satisfying $f_t(y)$ is the d digits after the binary point in $\tilde{f}_t(y)$ for all $y \in \{0, 1\}^{n-1}$. Therefore, for any $(|\phi\rangle, |\varphi\rangle) \sim \gamma_0$, we have

$$\begin{aligned} \left\| |\phi\rangle - |\varphi\rangle \right\|_2 &= \left\| \widetilde{\text{RSG}}_{(\sigma)_T, (\tilde{f})_T}^{n,\lambda} |\eta\rangle - \text{RSG}_{(\sigma)_T, (f)_T}^{n,\lambda} |\eta\rangle \right\|_2 \\ &\leq \left\| \widetilde{\text{RSG}}_{(\sigma)_T, (\tilde{f})_T}^{n,\lambda} - \text{RSG}_{(\sigma)_T, (f)_T}^{n,\lambda} \right\|_{\infty} \leq 2^{1-d} \pi T = \frac{20\pi(\lambda + 1)n}{\lambda^{\log \lambda} \cdot n^{\log n}} , \end{aligned}$$

where the last inequality is from [Fact 2.1](#) and [Lemma 5.3](#). Thus, for any $l \in \text{poly}(\lambda, n)$

$$\begin{aligned} &\left\| \mathbb{E}_{|\phi\rangle \sim \nu} [(|\phi\rangle\langle\phi|)^{\otimes l}] - \mathbb{E}_{|\varphi\rangle \sim \tilde{\nu}} [(|\varphi\rangle\langle\varphi|)^{\otimes l}] \right\|_1 \\ &\leq \mathbb{E}_{(|\phi\rangle, |\varphi\rangle) \sim \gamma_0} \left[\left\| (|\phi\rangle\langle\phi|)^{\otimes l} - (|\varphi\rangle\langle\varphi|)^{\otimes l} \right\|_1 \right] \\ &\leq l \mathbb{E}_{(|\phi\rangle, |\varphi\rangle) \sim \gamma_0} \left[\left\| |\phi\rangle\langle\phi| - |\varphi\rangle\langle\varphi| \right\|_1 \right] \\ &\leq l \left(\mathbb{E}_{(|\phi\rangle, |\varphi\rangle) \sim \gamma_0} \left[\left\| |\phi\rangle \right\| \left(\langle\phi| - \langle\varphi| \right) \right\|_1 \right] + \mathbb{E}_{(|\phi\rangle, |\varphi\rangle) \sim \gamma_0} \left[\left\| (|\phi\rangle - |\varphi\rangle) \langle\varphi| \right\|_1 \right] \right) \\ &\leq 2l \mathbb{E}_{(|\phi\rangle, |\varphi\rangle) \sim \gamma_0} \left[\left\| |\phi\rangle - |\varphi\rangle \right\|_2 \right] \leq \frac{40\pi(\lambda + 1)nl}{\lambda^{\log \lambda} \cdot n^{\log n}} . \end{aligned} \tag{13}$$

As for the trace distance between $\tilde{\nu}$ and μ , note that $\tilde{\nu}$ is the output distribution of T -step parallel Kac's walk. Thus by [Theorem 4.4](#), we have

$$W_1(\tilde{\nu}, \mu) \leq \frac{1}{2^{\lambda n}} .$$

So there exists a coupling of $\tilde{\nu}$ and μ , denoted by γ_1 , that achieves

$$\mathbb{E}_{(|\varphi\rangle, |\psi\rangle) \sim \gamma_1} [\|\lvert\varphi\rangle - \lvert\psi\rangle\|_2] \leq \frac{3}{2^{\lambda n}} .$$

Therefore, similar to Eq. (13), we have for any $l \in \text{poly}(\lambda, n)$

$$\left\| \mathbb{E}_{|\varphi\rangle \sim \tilde{\nu}} [(\lvert\varphi\rangle\langle\varphi\rvert)^{\otimes l}] - \mathbb{E}_{|\psi\rangle \sim \mu} [(\lvert\psi\rangle\langle\psi\rvert)^{\otimes l}] \right\|_1 \leq 2l \mathbb{E}_{(|\varphi\rangle, |\psi\rangle) \sim \gamma_1} [\|\lvert\varphi\rangle - \lvert\psi\rangle\|_2] \leq \frac{6l}{2^{\lambda n}} . \quad (14)$$

Finally, by the triangle inequality, Eqs. (13) and (14), we have

$$\left\| \mathbb{E}_{|\phi\rangle \sim \nu} [(\lvert\phi\rangle\langle\phi\rvert)^{\otimes l}] - \mathbb{E}_{|\psi\rangle \sim \mu} [(\lvert\psi\rangle\langle\psi\rvert)^{\otimes l}] \right\|_1 \leq \frac{40\pi(\lambda+1)nl}{\lambda^{\log \lambda} \cdot n^{\log n}} + \frac{6l}{2^{\lambda n}} = \text{negl}(\lambda) .$$

This establishes the *Statistical Pseudorandomness* property. \square

5.1.3 CONSTRUCTING PRSS

We construct a PRSS by replacing the random functions and permutations used in RSS with QPRFs and QPRPs.

Definition 5.4. Let $n, T \in \mathbb{N}$, \mathcal{H} be a real Hilbert space with dimension 2^n , $\tau : \mathcal{K}_1 \times \{0, 1\}^n \rightarrow \{0, 1\}^n$ be a QPRP with key space \mathcal{K}_1 and $F : \mathcal{K}_2 \times \{0, 1\}^{n-1} \rightarrow \{0, 1\}^d$ be a QPRF with key space \mathcal{K}_2 . An ensemble of unitary operators $\text{SG}^n := \{\text{SG}^{n,\lambda}\}_\lambda$ with $\text{SG}^{n,\lambda} := \left\{ \text{SG}_k^{n,\lambda} : \mathcal{H} \rightarrow \mathcal{H} \right\}_{k \in (\mathcal{K}_1 \times \mathcal{K}_2)^T}$ is defined as

$$\text{SG}_k^{n,\lambda} = K_{\tau_{r_T}, F_{s_T}} \cdots K_{\tau_{r_2}, F_{s_2}} K_{\tau_{r_1}, F_{s_1}}$$

for $k = (r_1, s_1, r_2, s_2, \dots, r_T, s_T) \in (\mathcal{K}_1 \times \mathcal{K}_2)^T$, where $K_{\sigma, f} = U_{\sigma^{-1}} W_f U_\sigma$ is defined in (11).

Theorem 5.5. Let $n \in \mathbb{N}$, $d = \log^2 \lambda + \log^2 n$ and $T = 10(\lambda + 1)n$. The ensemble of unitary operators SG^n defined in Definition 5.4 is a PRSS.

Proof. Due to the efficiency of τ and F , the key length is bounded by $2T \cdot \text{poly}(n, d) = \text{poly}(n, \lambda)$. Thus the condition of polynomial-bounded key length is satisfied. To implement $\text{SG}_k^{n,\lambda}$, we need to realize each of the $T = 10(\lambda + 1)n$ unitary gates K that make up $\text{SG}_k^{n,\lambda}$. Since each K can be realized in $\text{poly}(n, \lambda)$ time (efficiency of τ and F), the overall construction time for $\text{SG}_k^{n,\lambda}$ will be $\text{poly}(n, \lambda)$. Thus the uniformity is also satisfied.

We now prove the pseudorandomness property. To this end, we consider three hybrids for an arbitrary $|\phi\rangle \in \mathcal{S}(\mathcal{H})$ and $l \in \text{poly}(\lambda, n)$:

H1: $|\phi_k\rangle^{\otimes l}$ for $|\phi_k\rangle = \text{SG}_k^{n,\lambda} |\phi\rangle$ where $k \leftarrow (\mathcal{K}_1 \times \mathcal{K}_2)^T$ is chosen uniformly at random.

H2: $|\varphi_{(\sigma)_T, (f)_T}\rangle^{\otimes l}$ for $|\varphi_{(\sigma)_T, (f)_T}\rangle = \text{RSG}_{(\sigma)_T, (f)_T}^{n,\lambda} |\phi\rangle$ with independently and uniformly random permutations $(\sigma)_T \in S_{2^n}$ and random functions $(f)_T : \{0, 1\}^{n-1} \rightarrow \{0, 1\}^d$. $\text{RSG}_{(\sigma)_T, (f)_T}^{n,\lambda}$ is defined in Definition 5.1.

H3: $|\psi\rangle^{\otimes l}$ for $|\psi\rangle$ chosen according to the Haar measure μ on $\mathcal{S}_{\mathbb{R}}^{2^n}$.

We first prove that H1 and H2 are computationally indistinguishable. By the quantum-secure property of τ and F , we know the following two situations are computationally indistinguishable for any polynomial-time quantum oracle algorithm \mathcal{A} (see Lemma 2.9):

- given oracle access to $\tau_{r_1}, \dots, \tau_{r_T}$ and F_{s_1}, \dots, F_{s_T} where $(r)_T \in \mathcal{K}_1$ and $(s)_T \in \mathcal{K}_2$ are independently and uniformly random keys.
- given oracle access to independent and uniformly random permutations $(\sigma)_T \in S_{2^n}$ and random functions $(f)_T : \{0, 1\}^{n-1} \rightarrow \{0, 1\}^d$.

Thus, we have for any polynomial-time quantum algorithm \mathcal{A} ,

$$\left| \Pr \left[\mathcal{A} \left(|\phi_k\rangle^{\otimes l} \right) = 1 \right] - \Pr \left[\mathcal{A} \left(|\varphi_{(\sigma)_T, (f)_T}\rangle^{\otimes l} \right) = 1 \right] \right| = \text{negl}(\lambda) \quad .$$

For **H2** and **H3**, they are statistically indistinguishable since RSG^n defined in **Definition 5.1** is an RSS by **Theorem 5.2**. Finally, by the triangle inequality we establish **H1** and **H3** are computationally indistinguishable. This accomplishes the proof. \square

5.2 CONSTRUCTING OVER THE COMPLEX SPACE

This section provides constructions of a RSS and a PRSS over \mathbb{C} . Similar to the case over \mathbb{R} , our initial step is to create a unitary gate that can be utilized to simulate a single iteration of parallel Kac's walk within a complex Hilbert space. Fix $f, g, h : \{0, 1\}^{n-1} \rightarrow \{0, 1\}^d$ and $\sigma \in S_{2^n}$. Let $\widehat{L}_{\sigma, f, g, h} = U_{\sigma^{-1}} \widehat{Q}_{f, g, h} U_{\sigma}$, where U_{σ} is defined as before and

$$\widehat{Q}_{f, g, h} = \sum_{y \in \{0, 1\}^{n-1}} \begin{pmatrix} e^{i\left(\frac{\alpha_y + \beta_y}{2}\right)} & 0 \\ 0 & e^{-i\left(\frac{\alpha_y + \beta_y}{2}\right)} \end{pmatrix} \begin{pmatrix} \cos(\theta_y) & -\sin(\theta_y) \\ \sin(\theta_y) & \cos(\theta_y) \end{pmatrix} \begin{pmatrix} e^{i\left(\frac{\alpha_y - \beta_y}{2}\right)} & 0 \\ 0 & e^{-i\left(\frac{\alpha_y - \beta_y}{2}\right)} \end{pmatrix} \otimes |y\rangle\langle y| \quad , \quad (15)$$

in which

$$\theta_y = \arcsin \left(\sqrt{\text{val}(f(y))} \right) \quad , \quad \alpha_y = 2\pi \cdot \text{val}(g(y)) \quad , \quad \beta_y = 2\pi \cdot \text{val}(h(y)) \quad .$$

Here we decompose $U(\alpha_y, \beta_y, \theta_y)$ into a product of three matrices according to the formula

$$\begin{pmatrix} e^{i\alpha} \cos(\theta) & -e^{i\beta} \sin(\theta) \\ e^{-i\beta} \sin(\theta) & e^{-i\alpha} \cos(\theta) \end{pmatrix} = \begin{pmatrix} e^{i\left(\frac{\alpha+\beta}{2}\right)} & 0 \\ 0 & e^{-i\left(\frac{\alpha+\beta}{2}\right)} \end{pmatrix} \begin{pmatrix} \cos(\theta) & -\sin(\theta) \\ \sin(\theta) & \cos(\theta) \end{pmatrix} \begin{pmatrix} e^{i\left(\frac{\alpha-\beta}{2}\right)} & 0 \\ 0 & e^{-i\left(\frac{\alpha-\beta}{2}\right)} \end{pmatrix} \quad . \quad (16)$$

We approximate $\widehat{Q}_{f, g, h}$ by another unitary $Q_{f, g, h}$ which can be constructed as follows applying the similar technique in **Section 5**:

- apply O_f, O_g, O_h and store the results $f(y), g(y), h(y)$ in ancilla qubits,
- calculate $\gamma_y^+ \approx \frac{\text{val}(g(y)) + \text{val}(h(y))}{2}$, $\gamma_y^- \approx \frac{\text{val}(g(y)) - \text{val}(h(y))}{2}$ and $\xi_y \approx \frac{2}{\pi} \arcsin \left(\sqrt{\text{val}(f(y))} \right)$ with a precision up to d bits after the binary point,
- use γ_y^+, ξ_y and γ_y^- in the above step to construct a series of controlled gates on the first qubit which approximates the three matrices in the RHS of (16),
- uncompute all the ancilla qubits.

As a result, we construct a unitary gate $L_{\sigma, f, g, h} = U_{\sigma^{-1}} Q_{f, g, h} U_{\sigma}$ where

$$Q_{f, g, h} = \sum_{y \in \{0, 1\}^{n-1}} \begin{pmatrix} e^{i2\pi\gamma_y^+} & 0 \\ 0 & e^{-i2\pi\gamma_y^+} \end{pmatrix} \begin{pmatrix} \cos\left(\frac{\pi}{2}\xi_y\right) & -\sin\left(\frac{\pi}{2}\xi_y\right) \\ \sin\left(\frac{\pi}{2}\xi_y\right) & \cos\left(\frac{\pi}{2}\xi_y\right) \end{pmatrix} \begin{pmatrix} e^{i2\pi\gamma_y^-} & 0 \\ 0 & e^{-i2\pi\gamma_y^-} \end{pmatrix} \otimes |y\rangle\langle y| \quad , \quad (17)$$

and for any $y \in \{0, 1\}^{n-1}$,

$$\left| \frac{\pi}{2} \xi_y - \theta_y \right| \leq 2^{-d-1} \pi, \quad \left| 2\pi\gamma_y^+ - \frac{\alpha_y + \beta_y}{2} \right| \leq 2^{1-d} \pi, \quad \left| 2\pi\gamma_y^- - \frac{\alpha_y - \beta_y}{2} \right| \leq 2^{1-d} \pi.$$

By utilizing the gate $L_{\sigma,f,g,h}$ together with random permutations and random functions, we can implement the following scheme to produce an RSS:

Definition 5.6. Let $n, T, d \in \mathbb{N}$, and \mathcal{H} be a complex Hilbert space with dimension 2^n . An ensemble of unitary operators $\text{RSGC}^n := \{\text{RSGC}^{n,\lambda}\}_\lambda$ with

$$\text{RSGC}^{n,\lambda} := \left\{ \text{RSGC}_{(\sigma)_T, (f)_T, (g)_T, (h)_T}^{n,\lambda} : \mathcal{H} \rightarrow \mathcal{H} \right\}_{(\sigma)_T \in \mathcal{S}_{2^n}, (f)_T, (g)_T, (h)_T : \{0,1\}^{n-1} \rightarrow \{0,1\}^d}$$

is define as

$$\text{RSGC}_{(\sigma)_T, (f)_T, (g)_T, (h)_T}^{n,\lambda} = L_{\sigma_T, f_T, g_T, h_T} \cdots L_{\sigma_2, f_2, g_2, h_2} L_{\sigma_1, f_1, g_1, h_1}$$

where $L_{\sigma,f,g,h} = U_{\sigma^{-1}} Q_{f,g,h} U_\sigma$ is defined in (17).

Theorem 5.7. Let $n \in \mathbb{N}$, $d = 2(\log^2 \lambda + \log^2 n)$ and $T = 10(\lambda + 1)n$. The ensemble of unitary operators RSGC^n defined in Definition 5.6 is an RSS.

Based on this, we obtain a PRSS by substituting the random functions and permutations utilized in RSS with their quantum-secure pseudorandom counterparts.

Definition 5.8. Let $n, T \in \mathbb{N}$, \mathcal{H} be a complex Hilbert space with dimension 2^n , $\tau : \mathcal{K}_1 \times \{0, 1\}^n \rightarrow \{0, 1\}^n$ be a QPRP with key space \mathcal{K}_1 and $F : \mathcal{K}_2 \times \{0, 1\}^{n-1} \rightarrow \{0, 1\}^d$ be a QPRF with key space \mathcal{K}_2 . An ensemble of unitary operators $\text{SGC}^n := \{\text{SGC}^{n,\lambda}\}_\lambda$ with $\text{SGC}^{n,\lambda} = \left\{ \text{SGC}_k^{n,\lambda} : \mathcal{H} \rightarrow \mathcal{H} \right\}_{k \in (\mathcal{K}_1 \times \mathcal{K}_2 \times \mathcal{K}_2 \times \mathcal{K}_2)^T}$ is defined as

$$\text{SGC}_k^{n,\lambda} = L_{\tau_{r_T}, F_{u_T}, F_{s_T}, F_{t_T}} \cdots L_{\tau_{r_2}, F_{u_2}, F_{s_2}, F_{t_2}} L_{\tau_{r_1}, F_{u_1}, F_{s_1}, F_{t_1}}$$

for $k = (r_1, u_1, s_1, t_1, r_2, u_2, s_2, t_2, \dots, r_T, u_T, s_T, t_T) \in (\mathcal{K}_1 \times \mathcal{K}_2 \times \mathcal{K}_2 \times \mathcal{K}_2)^T$, where $L_{\sigma,f,g,h} = U_{\sigma^{-1}} Q_{f,g,h} U_\sigma$ is defined in (17).

Theorem 5.9. Let $n \in \mathbb{N}$, $d = 2(\log^2 \lambda + \log^2 n)$ and $T = 10(\lambda + 1)n$. The ensemble of unitary operators SGC^n defined in Definition 5.8 is a PRSS.

The detailed proofs of two theorems above share similarities with the real case. For this reason, we attach them in Appendix B.

6 APPLICATIONS

Since pseudorandom state scramblers subsume pseudorandom state generators and its siblings in the literature, all applications enabled by PRSGs can also be obtained from PRSSs. This includes for instance symmetric-key encryption and commitment of classical messages as well as secure computation. In this section, we showcase a few novel applications beyond what PRSGs are capable of.

6.1 COMPACT QUANTUM ENCRYPTION

Because PRSSs map any initial state to a pseudorandom output state, we can readily employ them to encrypt quantum messages. We can in fact improve standard quantum encryption schemes on *compactness*, which we discuss below.

We start by recalling the well-known Quantum One-Time Pad which is the quantum analogue of one-time pad and achieves perfect secrecy. Given an n -qubit state $|\psi\rangle$, we sample a uniform $2n$ -bit key $k = k_1 || k_2$ with $k_1, k_2 \in \{0, 1\}^n$ and encrypt $|\psi\rangle$ by

$$|\psi_k\rangle = \text{QOTP}_k |\psi\rangle = X^{k_1} Z^{k_2} |\psi\rangle ,$$

where X and Z are Pauli operators applied on each qubit of $|\psi\rangle$.

We can reduce the key length by using pseudorandom keys. For instance, given a pseudorandom generator $\text{PRG} : \{0, 1\}^n \rightarrow \{0, 1\}^{2n}$, we can expand a uniform n -bit key under PRG and use $\text{PRG}(k)$ as the key to QOTP. Namely we encrypt by

$$|\psi_k\rangle = \text{QOTP}_{\text{PRG}(k)} |\psi\rangle .$$

We refer to this scheme as prg-QOTP.

These two schemes are secure if the same key is never used more than *once*. One can extend it to multi-time security with *hybrid* encryption, using in addition a post-quantum secure encryption for *classical* bits. For concreteness, we use a post-quantum $\text{PRF}_k : \{0, 1\}^n \rightarrow \{0, 1\}^{2n}$. To encrypt $|\psi\rangle$, we sample a uniformly random string r , and use $\text{PRF}_k(r)$ as the key to QOTP, i.e., we output cipherstate $(r, |\psi_{k,r}\rangle)$ where

$$|\psi_{k,r}\rangle = \text{QOTP}_{\text{PRF}_k(r)} |\psi\rangle .$$

We call this scheme prf-QOTP.

Now suppose we have a PRSS ($\{\mathcal{R}_k^{n,m}\}$) with key space $\mathcal{K} = \{0, 1\}^k$, and for simplicity we assume that $n = m$ and we ignore them in the notation. We can construct three encryption schemes, analogous to each of the schemes above.

- PRSS-enc: on random key k and state $|\psi\rangle$, output $|\psi_k\rangle := \mathcal{R}_k |\psi\rangle$.
- prg-PRSS-enc: given a $\text{PRG} : \{0, 1\}^n \rightarrow \mathcal{K}$, on random key k and state $|\psi\rangle$, output $|\psi_k\rangle := \mathcal{R}_{\text{PRG}(k)} |\psi\rangle$.
- prf-PRSS-enc: given a $\text{PRF} : \{0, 1\}^n \rightarrow \mathcal{K}$, the key is a random key k for the PRF. On state $|\psi\rangle$, output $(r, |\psi_{k,r}\rangle)$, where $r \leftarrow \{0, 1\}^n$ and

$$|\psi_{k,r}\rangle = \mathcal{R}_{\text{PRF}_k(r)} |\psi\rangle .$$

Advantages of PRSS-based quantum encryption. One distinct benefit of PRSS-enc over QOTP is that we can encrypt *multiple copies* of a state $|\psi\rangle$ using PRSS-enc under the *same* key k . This follows from the multi-copy indistinguishability in our PRSS definition. In contrast, QOTP needs independent keys to encrypt each copy of $|\psi\rangle$. This considerably improves *compactness*, and it holds similarly in the other two types of schemes.

We stress that this applies only to encrypting multiple copies of the *same* input state. If we want to encrypt different states, then fresh keys in (prg-)PRSS-enc or randomness in prf-PRSS-enc should be used.

ℓ copies of $ \psi\rangle$	(prg-)QOTP	(prg-)PRSS-enc
$\ell = 1$	$ \psi_k\rangle = \text{QOTP}_k \text{ or } \text{PRG}(k) \psi\rangle$	$ \psi_k\rangle = \text{PRSS}_k \text{ or } \text{PRG}(k) \psi\rangle$
$\ell > 1$	$(\psi_{k_1}\rangle, \dots, \psi_{k_\ell}\rangle)$	$(\psi_k\rangle, \dots, \psi_k\rangle)$
Comparison	Need to exchange ℓ indep. keys k_1, \dots, k_ℓ	Single key for any polynomial ℓ

ℓ copies of $ \psi\rangle$	prf-QOTP	prf-PRSS-enc
$\ell = 1$	$(r, \psi_{k,r}\rangle = \text{QOTP}_{\text{PRF}_k(r)} \psi\rangle)$	$(r, \psi_{k,r}\rangle) = \text{PRSS}_{\text{PRF}_k(r)} \psi\rangle$
$\ell > 1$	$(\dots, (r_j, \psi_{k,r_j}\rangle), \dots)$	$(r, \psi_{k,r}\rangle, \dots, \psi_{k,r}\rangle)$
Comparison	Cipher size grows by ℓ factor	Cipher size grows by $\frac{1}{2}(\ell + 1)$

Table 2: Advantages of PRSS-based encryptions: maintaining single key instead of linear number of keys or reducing the cipher size growth factor by half.

6.2 SUCCINCT QUANTUM STATE COMMITMENT

Next we show how PRSS enables quantum commitment. Bit commitment is a fundamental primitive in cryptography. A sender Alice commits to an input bit b to a receiver Bob in the *commit* phase, which can be revealed later in the *open* phase. This naturally extends to committing bit strings. Two properties are essential.

- Hiding. Bob is not able to learn the message b before the open phase.
- Binding. Alice cannot fool Bob to accept a different message $b' \neq b$ in the open phase.

We will focus on *non-interactive* commitment schemes where both commit and open phases consist of a single message from the sender to the receiver. If the protocol involves exchanging and processing quantum information, we call it a quantum bit commitment (QBC) scheme. QBC has been extensively studied, and it is shown that QBC can be constructed based on standard PRSGs [AQY22, MY22].

In a similar vein, one can also consider committing to a *quantum* input state, and this is called quantum state commitment (QSC). QSC has proven useful such as in zero-knowledge proof systems for QMA [BJSW20, BG22].

Recently, Gunn, Ju, Ma and Zhandry give a systematic treatment on QSC [GJMZ23]. They propose a new characterization of binding termed *swap-binding*. They show a striking hiding-binding *duality* theorem for (non-interactive) quantum commitment: binding holds if the *opening* register held by the sender hides the input state. This significantly simplifies proving binding. They then construct binding commitment schemes which in addition are *succinct*, where the register containing the commitment has a *smaller* size than the message state.²

Succinct QSC from PRSS. The succinct QSC schemes by [GJMZ23] are based on post-quantum one-way functions or the potentially weaker primitive of pseudorandom unitary operators (PRU). We show below the viability of building succinct commitment on PRSS. This further *weakens* the assumption, given the oracle separation between PRSSs and one-way functions and that PRU implies PRSS (in a black-box fashion) but the converse is unknown.

²Note that hiding is not required in these succinct schemes.

Theorem 6.1. *Assuming a succinct PRSS, i.e., $|\mathcal{K}| < 2^n$, there exists a succinct QSC.*

Proof. This follows from a generic claim in [GJMZ23]. They show that any one-time secure quantum encryption scheme with *succinct* keys, where the key is shorter than the state to be encrypted, readily gives a succinct QSC. A PRSS is a secure quantum encryption as discussed above. Succinctness translates if PRSS's key length is shorter than the size of the input state. This is stated below. We choose not to fully spelled out the syntax and definitions of the involved primitives for the sake of clarity, and refer the readers to [GJMZ23]. \square

Lemma 6.2. *Assuming a succinct PRSS, i.e., $|\mathcal{K}| < 2^n$, there exists a succinct one-time quantum encryption scheme.*

How to instantiate a succinct PRSS? Our construction is not immediately succinct, because the key length $\Omega(\lambda \cdot n)$. We can remedy this by using a pseudorandom generator to expand a key shorter than n into pseudorandom keys for each iteration (QPRF and QPRP).

7 DISPERSING RSS AND DISPERSING PRSS

We first give the formal definitions of a random scrambler and a pseudorandom scrambler with a dispersing property in Section 7.1. Then, Section 7.2 analyses the total variation mixing time of the parallel Kac's walk on both real and complex Hilbert space. Lastly in Section 7.3, we utilize this rapid mixing property to demonstrate that the ensembles of unitary operators we construct in Section 5 do exhibit a dispersing property.

7.1 DEFINITIONS

We introduce the concept of *dispersing random state scramblers* (DRSS), which ensure the approximation of Haar randomness with respect to Wasserstein distance.

Definition 7.1 (Dispersing Random State Scrambler). *Let \mathcal{H}_{in} and \mathcal{H}_{out} be Hilbert spaces of dimensions 2^n and 2^m respectively with $n, m \in \mathbb{N}$ and $n \leq m$. Let $\mathcal{K} = \{0, 1\}^\kappa$ be a key space, and λ be a security parameter. A dispersing random state scrambler (DRSS) is an ensemble of isometric operators $\mathcal{R}^{n,m} := \{\mathcal{R}^{n,m,\lambda}\}_\lambda$ with $\mathcal{R}^{n,m,\lambda} := \{\mathcal{R}_k^{n,m,\lambda} : \mathcal{H}_{\text{in}} \rightarrow \mathcal{H}_{\text{out}}\}_{k \in \mathcal{K}}$ satisfying:*

- **Wasserstein Approximation of Haar randomness.** *There exist $\epsilon, \delta, \delta' = \text{negl}(\lambda)$ such that for any $|\phi\rangle \in \mathcal{S}(\mathcal{H}_{\text{in}})$,*
 - *The family of states $\{\mathcal{R}_k^{n,m}|\phi\rangle\}_{k \in \mathcal{K}}$ forms an ϵ -net of $\mathcal{S}(\mathcal{H}_{\text{out}})$.*
 - *Let ν be the distribution of $\mathcal{R}_k^{n,m}|\phi\rangle$ with uniformly random $k \leftarrow \mathcal{K}$, and μ be the Haar measure on $\mathcal{S}(\mathcal{H}_{\text{out}})$. Then, there exists a distribution $\tilde{\nu}$ such that*

$$\|\mu - \tilde{\nu}\|_{\text{TV}} \leq \delta, \quad \text{and} \quad W_\infty(\nu, \tilde{\nu}) \leq \delta'.$$

- **Uniformity.** *$\mathcal{R}^{n,m}$ can be uniformly computed in polynomial time. That is, there is a deterministic Turing machine that, on input $(1^n, 1^m, 1^\lambda, 1^\kappa)$, outputs a quantum circuit Q in $\text{poly}(n, m, \lambda, \kappa)$ time such that for all $k \in \mathcal{K}$ and $|\phi\rangle \in \mathcal{S}(\mathcal{H}_{\text{in}})$*

$$Q|k\rangle|\phi\rangle = |k\rangle|\phi_k\rangle,$$

where $|\phi_k\rangle := \mathcal{R}_k^{n,m,\lambda}|\phi\rangle$.

In particular, small Wasserstein distance implies small trace distance between the average states drawn from the two distributions.

Proposition 7.2. *A DRSS is an RSS with the same parameters.*

Proof. It suffices to prove that Wasserstein approximation of Haar randomness implies statistical pseudorandomness. Let ν and μ be the distribution of the output states of a DRSS and the Haar measure, respectively. By the assumption, there exists a distribution $\tilde{\nu}$ on $\mathcal{S}(\mathcal{H}_{\text{out}})$ and a coupling γ of ν and $\tilde{\nu}$ such that

$$\Pr_{(|\psi\rangle, |\psi'\rangle) \sim \gamma} [\|\psi\rangle - |\psi'\rangle\|_2] \leq \text{negl}(\lambda).$$

Notice that ℓ is polynomial in λ . By the triangle inequality,

$$\text{TD} \left(\mathbb{E}_{|\psi\rangle \sim \nu} [|\psi\rangle\langle\psi|^{\otimes \ell}], \mathbb{E}_{|\psi\rangle \sim \tilde{\nu}} [|\psi\rangle\langle\psi|^{\otimes \ell}] \right) \leq \text{negl}(\lambda).$$

By Lemma 2.2, the condition that $\|\mu - \tilde{\nu}\|_{\text{TV}} \leq \text{negl}(\lambda)$ implies

$$\text{TD} \left(\mathbb{E}_{|\psi\rangle \sim \tilde{\nu}} [|\psi\rangle\langle\psi|^{\otimes \ell}], \mathbb{E}_{|\psi\rangle \sim \mu} [|\psi\rangle\langle\psi|^{\otimes \ell}] \right) \leq \text{negl}(\lambda).$$

The result follows from the triangle inequality. \square

By weakening the pseudorandomness condition in DRSS, we define *dispersing pseudorandom state scrambler* (DPRSS), as the pseudorandom counterpart for DRSS.

Definition 7.3 (Dispersing PseudoRandom State Scrambler). *Let \mathcal{H}_{in} and \mathcal{H}_{out} be Hilbert spaces of dimensions 2^n and 2^m respectively with $n, m \in \mathbb{N}$ and $n \leq m$. Let $\mathcal{K} = \{0, 1\}^k$ be a key space, and λ be a security parameter. A dispersing pseudorandom state scrambler (DPRSS) is an ensemble of isometric operators $\mathcal{R}^{n,m} := \{\mathcal{R}_k^{n,m,\lambda}\}_\lambda$ with $\mathcal{R}^{n,m,\lambda} := \{\mathcal{R}_k^{n,m,\lambda} : \mathcal{H}_{\text{in}} \rightarrow \mathcal{H}_{\text{out}}\}_{k \in \mathcal{K}}$ satisfying:*

- **Computational Wasserstein Approximation of Haar randomness.** *There exist $\epsilon, \delta, \delta' = \text{negl}(\lambda)$ such that for any $|\phi\rangle \in \mathcal{S}(\mathcal{H}_{\text{in}})$, there exists an ϵ -net \mathcal{N}_ϵ on $\mathcal{S}(\mathcal{H}_{\text{out}})$ and a distribution ν over \mathcal{N}_ϵ satisfying*

- *Let μ be the Haar measure on $\mathcal{S}(\mathcal{H}_{\text{out}})$. Then, there exists a distribution $\tilde{\nu}$ such that*

$$\|\mu - \tilde{\nu}\|_{\text{TV}} \leq \delta, \quad \text{and} \quad W_\infty(\nu, \tilde{\nu}) \leq \delta'.$$

- *For any $\ell = \text{poly}(\lambda)$ and any non-uniform poly-time quantum adversary \mathcal{A} ,*

$$\left| \Pr_{k \leftarrow \mathcal{K}} [\mathcal{A}(|\phi_k\rangle^{\otimes \ell}) = 1] - \Pr_{|\psi\rangle \leftarrow \nu} [\mathcal{A}(|\psi\rangle^{\otimes \ell}) = 1] \right| = \text{negl}(\lambda),$$

where $|\phi_k\rangle := \mathcal{R}_k^{n,m,\lambda}|\phi\rangle$ and $|\psi\rangle$ is sampled from the distribution ν .

- **Uniformity.** $\mathcal{R}^{n,m}$ can be uniformly computed in polynomial time. That is, there is a deterministic Turing machine that, on input $(1^n, 1^m, 1^\lambda, 1^\kappa)$, outputs a quantum circuit Q in $\text{poly}(n, m, \lambda, \kappa)$ time such that for all $k \in \mathcal{K}$ and $|\phi\rangle \in \mathcal{S}(\mathcal{H}_{\text{in}})$

$$Q |k\rangle |\phi\rangle = |k\rangle |\phi_k\rangle ,$$

where $|\phi_k\rangle := \mathcal{R}_k^{n,m,\lambda} |\phi\rangle$.

- **Polynomially-bounded key length.** $\kappa = \log |\mathcal{K}| = \text{poly}(m, \lambda)$. As a result, $\mathcal{R}^{n,m}$ can be computed efficiently in time $\text{poly}(n, m, \lambda)$.

Moreover, we introduce a continuous version of random state scrambler, where continuous randomness is allowed.

Definition 7.4 (Continuously Random State Scrambler). Let \mathcal{H}_{in} and \mathcal{H}_{out} be Hilbert spaces of dimensions 2^n and 2^m respectively with $n, m \in \mathbb{N}$ and $n \leq m$. Let \mathcal{K} be a (continuous) key space, and λ be a security parameter. A continuously random state scrambler (CRSS) is an ensemble of isometric operators $\mathcal{R}^{n,m} := \{\mathcal{R}^{n,m,\lambda}\}_\lambda$ with $\mathcal{R}^{n,m,\lambda} := \{\mathcal{R}_k^{n,m,\lambda} : \mathcal{H}_{\text{in}} \rightarrow \mathcal{H}_{\text{out}}\}_{k \in \mathcal{K}}$ satisfying:

- **Total-Variation Approximation of Haar randomness.** Let $|\phi\rangle \in \mathcal{S}(\mathcal{H}_{\text{in}})$ be an arbitrary pure state. Let ν be the distribution of $\mathcal{R}_k^{n,m,\lambda} |\phi\rangle$ with uniformly random $k \leftarrow \mathcal{K}$, and μ be the Haar measure on $\mathcal{S}(\mathcal{H}_{\text{out}})$. Then there exists $\delta = \text{negl}(\lambda)$ such that the total variation distance between ν and μ is at most δ , i.e., $\|\nu - \mu\|_{\text{TV}} \leq \delta$.

7.2 TOTAL VARIATION MIXING TIME OF THE PARALLEL KAC'S WALK

We assume $n = 2m$ for some $m \in \mathbb{N}$ throughout this section.

7.2.1 BACKGROUND: TWO-PHASE PROOF STRATEGY IN [PS17]

It is proved in [PS17] that the total variation mixing time of Kac's walk on $\mathcal{S}_{\mathbb{R}}^n$ is $\Theta(n \log n)$.

Theorem 7.5 (Theorem 1, [PS17]). Let $\{X_t \in \mathcal{S}_{\mathbb{R}}^n\}_{t \geq 0}$ be a Markov chain that evolves according to Kac's walk. Then, for sufficiently large n , and $T > 200n \log n$,

$$\sup_{X_0 \in \mathcal{S}_{\mathbb{R}}^n} \|\mathcal{L}(X_T) - \mu\|_{\text{TV}} = O\left(\frac{1}{\text{poly}(n)}\right) ,$$

where μ is the normalized Haar measure on $\mathcal{S}_{\mathbb{R}}^n$.

We informally revisit their proof approach that utilizes the famous coupling lemma (see Lemma 2.3). The coupling lemma offers a practical approach to estimate the mixing time of a Markov chain by comparing the behavior of two coupled random walks. The total variation distance at time T is bounded by the probability that two coupled random walks are distinct at time T . Through a two-phase coupling of $\{X_t\}_{t \geq 0}$ and $\{Y_t\}_{t \geq 0}$, they show that the probability that two copies are not equal at time T , i.e., $\Pr[X_T \neq Y_T]$, approaches zero when n is sufficiently large and $T > 200n \log n$. Specifically, the two-step coupling consists of an initial *contracting phase* followed by a subsequent *coalescing phase*. The contracting phase aims to sufficiently reduce the distance

between two copies of Kac’s walk so that during the coalescing phase, they can be further fine-tuned to coalesce. These two phases are described below, with a focus on how the random angles are coupled.

Contracting Phase (from $t = 0$ to T_0). The contracting phase starts from time 0 and continues until time T_0 . In this phase, $\{X_t\}$ and $\{Y_t\}$ undergo the *proportional coupling*, which aims at reducing the distance between two copies of Kac’s walk. The proportional coupling is introduced in [Section 4](#).

Coalescing Phase (from $t = T_0$ to $T_0 + T_1$). This phase employs a non-Markovian coupling³ starting from a close-by pair X_{T_0} and Y_{T_0} . Let T_1 be determined later. Initially, the coupling independently and identically samples T_1 pairs of coordinates $\{(i_t, j_t)\}_{t=T_0}^{T_0+T_1-1}$ all at once, which are subsequently used to generate $T_1 + 1$ partitions of $[n]$, denoted by $\{\mathcal{P}_t\}_{t=T_0}^{T_0+T_1}$. The construction of these partitions is done inductively in reverse order. The last partition is enforced to be $\mathcal{P}_{T_0+T_1} = \{\{1\}, \{2\}, \dots, \{n\}\}$. Starting from $t = T_1 + T_0 - 1$ and decrementing down to T_0 , the construction of partition \mathcal{P}_t uses the chosen coordinate pair (i_t, j_t) as a guide. Specifically, it is generated by merging two sets in \mathcal{P}_{t+1} : one set includes i_t , and the other includes j_t ; while leaving other sets untouched. Then, the value of T_1 is determined such that $\mathcal{P}_{T_0} = \{[n]\}$ with high probability.

The aim of this phase is to ultimately coalesce X and Y . To see how to achieve this, we introduce the event \mathcal{A}_t in which, at time t ,

$$\sum_{i \in S} X_t[i]^2 = \sum_{i \in S} Y_t[i]^2, \quad \forall S \in \mathcal{P}_t$$

and

$$X_t[k]Y_t[k] \geq 0, \quad k \in \{i_{t-1}, j_{t-1}\}.$$

Intuitively, event \mathcal{A}_t states that if we partition X_t and Y_t based on \mathcal{P}_t , then both X_t and Y_t carry equal significance within each segment S at time t ; and meanwhile the corresponding updated subvectors share the same sign at time $t - 1$. It is not hard to verify that \mathcal{A}_{T_0} occurs if $\mathcal{P}_{T_0} = \{\{1, \dots, n\}\}$, which holds with high probability; and $\bigcap_{t=T_0}^{T_0+T_1} \mathcal{A}_t$ implies that the corresponding entries in vectors $X_{T_0+T_1}$ and $Y_{T_0+T_1}$ are equal. Thus, to prove that X and Y are identical by the end of this phase, it suffices to prove that all events occur with a high probability during the process.

So, the non-Markovian coupling aims to ensure that \mathcal{A}_{t+1} takes place with a high probability, conditioned on all previous events occur. This is achieved by sampling θ and θ' from a “good” joint distribution, which makes sure that both marginal distributions are uniformly distributed on $[0, 2\pi)$. Such a desirable distribution is made possible by the entry-wise closeness achieved during the first phase.

Intuitively, the parallel Kac’s walk is expected to have a mixing time that is only on the order of $O(\log n)$, saving factor of n in the mixing time of the original Kac’s walk. However, the mixing time for the parallel Kac’s walk cannot be derived from the mixing time for the original Kac’s walk, directly. Fortunately, through careful modifications to the two-phase coupling approach above, we have discovered a logarithmic mixing time for the parallel Kac’s walk, resulting in exponential speedup compared to the original random walk.

³The non-Markovian coupling refers to a situation where the transition between states depend not only on the current state but also on the future states, violating the memoryless property of a standard Markov process.

7.2.2 REAL CASE

The total variation distance between the output distribution of a parallel Kac's walk after T steps and the normalized Haar measure on $\mathcal{S}_{\mathbb{R}}^n$ decays exponentially as T grows. Formally,

Theorem 7.6. *Let $\{X_t \in \mathcal{S}_{\mathbb{R}}^n\}_{t \geq 0}$ be a Markov chain that evolves according to the parallel Kac's walk. Then, for sufficiently large n , $c > 515$ and $T = c \log n$,*

$$\sup_{X_0 \in \mathcal{S}_{\mathbb{R}}^n} \|\mathcal{L}(X_T) - \mu\|_{\text{TV}} \leq \frac{1}{2^{(c/515-1) \log n - 1}} ,$$

where μ is the normalized Haar measure on $\mathcal{S}_{\mathbb{R}}^n$.

To prove [Theorem 7.6](#), we will use the coupling lemma (see [Lemma 2.3](#)) and extend the two-phase coupling method described in [\[PS17\]](#) to accommodate parallel Kac's walks. We have already extended the proportional coupling used in the contracting phase in [Section 4.2.1](#). We now introduce the non-Markovian coupling employed in the coalescing phase to ensure that X and Y converge to an identical state, and integrate these two couplings into a comprehensive two-phase coupling to establish the mixing time of the parallel Kac's walk.

Coalescing Phase: the Non-Markovian Coupling The non-markovian coupling is defined in [Definition 7.7](#). As we will see later, if the initial vectors of two parallel Kac's walks, namely X_{T_0} and Y_{T_0} , are close, this coupling guarantees a high probability of collision between X_T and Y_T , when T is sufficiently large.

Definition 7.7 (Non-Markovian Coupling). *Fix $T_0 \leq T \in \mathbb{N}$. We couple $\{X_t\}_{T_0 \leq t \leq T}$, $\{Y_t\}_{T_0 \leq t \leq T}$ in the following way:*

1. For each $T_0 \leq t < T$, choose a perfect matching $P_t = \left\{ \left(i_1^{(t)}, j_1^{(t)} \right), \dots, \left(i_m^{(t)}, j_m^{(t)} \right) \right\}$ uniformly at random.
2. Set $\mathcal{P}_{T,1} = \{\{1\}, \dots, \{n\}\}$, and define a sequence of partitions $\{\mathcal{P}_{t,k}\}_{T_0 \leq t < T, 1 \leq k \leq m+1}$ of $[n]$ inductively by the process:

(a) If $k = m + 1$, let $\mathcal{P}_{t,k} = \mathcal{P}_{t+1,1}$.

(b) If $1 \leq k \leq m$, write $\mathcal{P}_{t,k+1} = \{S_1(t, k+1), \dots, S_{l_{t,k+1}}(t, k+1)\}$ with $S_r(t, k+1) \subseteq [n]$ for $1 \leq r \leq l_{t,k+1}$. Let $u_{t,k}$, $v_{t,k}$ be the indices such that

$$i_k^{(t)} \in S_{u_{t,k}}(t, k+1) \quad \text{and} \quad j_k^{(t)} \in S_{v_{t,k}}(t, k+1) .$$

i. If $u_{t,k} = v_{t,k}$, set $\mathcal{P}_{t,k} = \mathcal{P}_{t,k+1}$.

ii. If $u_{t,k} \neq v_{t,k}$, construct $\mathcal{P}_{t,k}$ by merging $S_{u_{t,k}}(t, k+1)$ and $S_{v_{t,k}}(t, k+1)$ in $\mathcal{P}_{t,k+1}$.

3. If $\mathcal{P}_{T_0,1} = \{\{n\}\}$, we couple $\{X_t\}_{T_0 \leq t \leq T}$, $\{Y_t\}_{T_0 \leq t \leq T}$ in the following way:

- Define the set

$$H = \left\{ (t, k) : T_0 \leq t < T, 1 \leq k \leq m, \mathcal{P}_{t,k} \neq \mathcal{P}_{t,k+1} \right\} . \quad (18)$$

- Fix $T_0 \leq t < T$, X_t and Y_t , and we couple X_{t+1} and Y_{t+1} in the following way:

(a) Set $X_{t,1} = X_t$ and $Y_{t,1} = Y_t$.

(b) For $1 \leq k \leq m$,

i. If $(t, k) \notin H$, uniformly choose $\theta_k^{(t)} \in [0, 2\pi)$. Let

$$X_{t,k+1} = G(i_k^{(t)}, j_k^{(t)}, \theta_k^{(t)}, X_{t,k}) \quad \text{and} \quad Y_{t,k+1} = G(i_k^{(t)}, j_k^{(t)}, \theta_k^{(t)}, Y_{t,k})$$

where $G(\cdot)$ is defined in Eq. (1) and $\theta_k^{(t)}$ is obtained in the same way as the proportional coupling defined in Definition 4.5.

ii. If $(t, k) \in H$, let θ_0 be the angle satisfies

$$X_{t,k}[i_k^{(t)}] = \sqrt{X_{t,k}[i_k^{(t)}]^2 + X_{t,k}[j_k^{(t)}]^2} \cos(\theta_0) ,$$

$$X_{t,k}[j_k^{(t)}] = \sqrt{X_{t,k}[i_k^{(t)}]^2 + X_{t,k}[j_k^{(t)}]^2} \sin(\theta_0) ,$$

θ'_0 be the angle satisfies

$$Y_{t,k}[i_k^{(t)}] = \sqrt{Y_{t,k}[i_k^{(t)}]^2 + Y_{t,k}[j_k^{(t)}]^2} \cos(\theta'_0) ,$$

$$Y_{t,k}[j_k^{(t)}] = \sqrt{Y_{t,k}[i_k^{(t)}]^2 + Y_{t,k}[j_k^{(t)}]^2} \sin(\theta'_0) ,$$

and then choose the best distribution ν among all joint distributions on $[0, 2\pi) \times [0, 2\pi)$ with both marginal distributions uniformly distributed on $[0, 2\pi)$ which maximizes the probability of the following events when $(\theta, \theta') \sim \nu$:

$$\sum_{i \in S_r(t,k+1)} X_{t,k+1}[i]^2 = \sum_{i \in S_r(t,k+1)} Y_{t,k+1}[i]^2 , \quad 1 \leq r \leq l_{t,k+1}$$

$$X_{t,k+1}[i] \cdot Y_{t,k+1}[i] \geq 0 , \quad i \in \{i_k^{(t)}, j_k^{(t)}\} ,$$

where

$$X_{t,k+1} = G(i_k^{(t)}, j_k^{(t)}, \theta - \theta_0, X_{t,k}) \quad \text{and} \quad Y_{t,k+1} = G(i_k^{(t)}, j_k^{(t)}, \theta' - \theta'_0, Y_{t,k}) .$$

Then choose $(\theta_k^{(t)}, \theta_k^{\prime(t)}) \sim \nu$, and set

$$X_{t,k+1} = G(i_k^{(t)}, j_k^{(t)}, \theta_k^{(t)} - \theta_0, X_{t,k}) \quad \text{and} \quad Y_{t,k+1} = G(i_k^{(t)}, j_k^{(t)}, \theta_k^{\prime(t)} - \theta'_0, Y_{t,k}) .$$

(c) Set $X_{t+1} = X_{t,m+1}$ and $Y_{t+1} = Y_{t,m+1}$.

4. If $\mathcal{P}_{T_0,1} \neq \{[n]\}$, for $T_0 \leq t \leq T$, we couple X_{t+1} and Y_{t+1} in the following way: choose m independent angles $\theta_1^{(t)}, \dots, \theta_m^{(t)} \in [0, 2\pi)$ uniformly at random and set

$$X_{t+1} = F(P_t, \theta_1^{(t)}, \dots, \theta_m^{(t)}, X_t) \quad \text{and} \quad Y_{t+1} = F(P_t, \theta_1^{(t)}, \dots, \theta_m^{(t)}, Y_t) ,$$

where $F(\cdot)$ is given in Eq. (2).

Step 1 samples $T - T_0$ matchings, generating all coordinate pairs that will be updated in the succeeding process. Step 2 utilizes this matchings to construct a series of partitions of $[n]$ in a back propagation manner. Starting from $\mathcal{P}_{T,1} = \{\{1\}, \dots, \{n\}\}$, it sequentially construct

$$\mathcal{P}_{T-1,m+1} \quad \mathcal{P}_{T-1,m} \quad \cdots \quad \mathcal{P}_{T-1,1} \quad \mathcal{P}_{T-2,m+1} \quad \cdots \quad \mathcal{P}_{T-2,1} \quad \cdots \quad \mathcal{P}_{T_0,1} .$$

$\mathcal{P}_{t,m+1}$ is set equal to $\mathcal{P}_{t+1,1}$ directly. For $1 \leq k \leq m$, $\mathcal{P}_{t,k}$ is obtained based on $\mathcal{P}_{t,k+1}$ and the k -th pair of coordinates in matching P_t . If two coordinates of the k -th pair belong to different components in partition $\mathcal{P}_{t,k+1}$, we merge these two components. Otherwise, $\mathcal{P}_{t,k}$ is set equal

to $\mathcal{P}_{t,k+1}$. This series of partitions thus consists of random partitions of set $[n]$ and with high probability the first partition $\mathcal{P}_{T_0,1}$ is $\{[n]\}$ (see [Lemma 7.8](#)). This follows from the argument for bounding the probability of the connectivity of Erdős-Rényi graphs [[Bol01](#), Theorem 7.3]. The proof is deferred to [Appendix B](#).

Lemma 7.8. Fix $c > 0$ and $T_0 \in \mathbb{N}$. Let $l = 5(1+c)\log n$ and $T = T_0 + l$. Then we have for n sufficiently large,

$$\Pr[\mathcal{P}_{T_0,1} \neq \{[n]\}] \leq 2n^{-c} ,$$

where $\mathcal{P}_{T_0,1}$ is defined in [Definition 7.7](#).

If $\mathcal{P}_{T_0,1} = \{[n]\}$, step 3 serves as the crucial step of this coupling. To provide a clearer explanation of how this coupling technique works, [Definition 7.9](#) introduces a series of events $\{\mathcal{A}(t, k)\}$. Intuitively, $\mathcal{A}(t, k)$ indicates that the $(k-1)$ -th updated coordinates in both vectors have the same signs at time t , and both vectors have the same weight within each component of the partition $\mathcal{P}_{t,k}$.

Definition 7.9. Let $\mathcal{A}(T_0, 1)$ denote the event

$$\sum_{i \in S_r(T_0,1)} X_{T_0,1}[i]^2 = \sum_{i \in S_r(T_0,1)} Y_{T_0,1}[i]^2, 1 \leq r \leq l_{T_0,1} .$$

For other $T_0 \leq t \leq T$ and $1 \leq k \leq m+1$, we define the event $\mathcal{A}(t, k)$ as ⁴

$$\sum_{i \in S_r(t,k)} X_{t,k}[i]^2 = \sum_{i \in S_r(t,k)} Y_{t,k}[i]^2 , 1 \leq r \leq l_{t,k} \quad (19)$$

$$X_{t,k}[i] \cdot Y_{t,k}[i] \geq 0 , i \in \{i_{k-1}^{(t)}, j_{k-1}^{(t)}\} . \quad (20)$$

It is worthy noting that under the assumption $\mathcal{P}_{T_0,1} = \{[n]\}$, $\mathcal{A}(T_0, 1)$ occurs since the sum of squares of the components of a unit vector is equal to 1. And if $\{\mathcal{A}(t, k)\}$ take place in the entire process, we can conclude that $X_T = Y_T$ because $\mathcal{A}(T, 1)$ guarantees the corresponding coordinates have the same absolute values and [Remark 4.6](#) together with (20) guarantees that they have the same signs as well. So we want to couple the rotation angles to ensure that $\mathcal{A}(t, k+1)$ occurs with a high probability, given that all previous events have already taken place. The coupling of the rotation angles are divided into two cases: whether the coordinate pair $(i_k^{(t)}, j_k^{(t)})$ is a “merge point” in the construction process of partitions. If not, the rotation angles are coupled using the proportional coupling (see step 3.b.i). For non-“merge point”, the proportional coupling does not affect the partition and also maintain the weight within each component, and thus $\mathcal{A}(t, k+1)$ must occur conditioned on $\mathcal{A}(t, k)$. In the other case, we sample the rotation angles from a “good” joint distribution which maximizes the probability that $\mathcal{A}(t, k+1)$ occurs (see step 3.b.ii).

We next show why such a “good” joint distribution exists. Before that, we set some notations. For $T_0 \leq t \leq T$ and $1 \leq k \leq m+1$, define

$$A_{t,k}[i] = X_{t,k}[i]^2 , \quad B_{t,k}[i] = Y_{t,k}[i]^2 . \quad (21)$$

For $T_0 \leq t_1, t_2 \leq T$ and $1 \leq k_1, k_2 \leq m+1$, we define a partial order \sqsubseteq as

$$(t_1, k_1) \sqsubseteq (t_2, k_2) \quad \text{iff} \quad (t_1 < t_2) \vee (t_1 = t_2 \wedge k_1 \leq k_2) .$$

⁴In Eq. (20), if $k = 1$, then $i \in \{i_m^{(t-1)}, j_m^{(t-1)}\}$.

Note that if $(i_k^{(t)}, j_k^{(t)})$ is a “merge point”, $\mathcal{P}_{t,k+1}$ differs from $\mathcal{P}_{t,k}$ only in the components in which $i_k^{(t)}$ and $j_k^{(t)}$ are, namely $S_{u_{t,k}}(t, k+1)$ and $S_{v_{t,k}}(t, k+1)$. To see whether $\mathcal{A}(t, k+1)$ occurs given $\mathcal{A}(t, k)$, we only need to check whether (19) holds for $r = u_{t,k}$, that is,

$$\sum_{i \in S_{u_{t,k}}(t, k+1)} X_{t,k}[i]^2 = \sum_{i \in S_{u_{t,k}}(t, k+1)} Y_{t,k}[i]^2 .$$

Rewrite

$$\begin{aligned} A &= \sum_{i \in S_{u_{t,k}}(t, k+1) \setminus i_k^{(t)}} X_{t,k}[i]^2 , & B &= X_{t,k}[i_k^{(t)}]^2 + X_{t,k}[j_k^{(t)}]^2 , \\ C &= \sum_{i \in S_{u_{t,k}}(t, k+1) \setminus i_k^{(t)}} Y_{t,k}[i]^2 , & D &= Y_{t,k}[i_k^{(t)}]^2 + Y_{t,k}[j_k^{(t)}]^2 . \end{aligned}$$

We will have

$$\sum_{i \in S_{u_{t,k}}(t, k+1)} X_{t,k}[i]^2 = A + B \cos(\theta_k^{(t)})^2 , \quad \sum_{i \in S_{u_{t,k}}(t, k+1)} Y_{t,k}[i]^2 = C + D \cos(\theta_k^{(t)})^2 .$$

The following lemma states that $|A - C|$ and $|B - D|$ are bounded by the initial distance of two vectors. Its proof is the same as Lemma 4.4 in [PS17].

Lemma 7.10. *Fix $T_0 < T$, and couple two chains $\{X_t\}_{T_0 \leq t \leq T}$, $\{Y_t\}_{T_0 \leq t \leq T}$ using the non-Markovian coupling defined in Definition 7.7. Fix $T_0 \leq t_0 \leq T$ and $1 \leq k_0 \leq m+1$. Then, on the event $\bigcap_{(t,k) \sqsubseteq (t_0, k_0)} \mathcal{A}(t, k) \cap \{\mathcal{P}_{T_0,1} = \{[n]\}\}$, we have*

$$\|A_{t,k} - B_{t,k}\|_{1,S} \leq \|A_{T_0,1} - B_{T_0,1}\|_1$$

for all $(t, k) \sqsubseteq (t_0, k_0)$ and $S \in \mathcal{P}_{t,k}$. Moreover, for all $(t, k) \sqsubseteq (t_0, k_0)$,

$$\|A_{t,k} - B_{t,k}\|_1 \leq n \|A_{T_0,1} - B_{T_0,1}\|_1 .$$

Knowing that A, B and C, D are close, the following lemma states the existence of a good distribution ν for $\theta_k^{(t)}$ and $\theta_k^{(t')}$ such that $\sum_{i \in S_{u_{t,k}}(t, k+1)} X_{t,k}[i]^2$ agrees with $\sum_{i \in S_{u_{t,k}}(t, k+1)} Y_{t,k}[i]^2$ with high probability.

Lemma 7.11 (Lemma 4.6 in [PS17]). *Fix positive reals $1 < p < q' < q/2$. Let $\theta, \theta' \sim \text{Unif}[0, 2\pi)$ and let*

$$S = A + B \cos(\theta)^2 \quad \text{and} \quad S' = C + D \cos(\theta')^2$$

for some $0 \leq A, B, C, D \leq 1$ that satisfy

$$|A - C|, |B - D| \leq n^{-q} \quad \text{and} \quad B, D \geq n^{-p} .$$

Then for sufficiently large n , there exists a coupling of θ, θ' so that

$$\Pr[S = S'] \geq 1 - 6 \times 10^3 n^{-c}$$

and

$$\cos(\theta) \cos(\theta') \geq 0 \quad \text{and} \quad \sin(\theta) \sin(\theta') \geq 0$$

where $c = \min\left(\frac{q'}{2}, q - 2q'\right) > 0$.

Proof of the Total Variation Mixing Time

Proof of Theorem 7.6. Let $a = 66$, $b = 24$, $T_0 = 500 \log n$, $T_1 = 15 \log n$, $T = T_0 + T_1 = 515 \log n$. We construct a coupling of two copies $\{X_t\}_{t \geq 0}$ and $\{Y_t\}_{t \geq 0}$ of the parallel Kac's walk with starting points $X_0 = x \in \mathcal{S}_{\mathbb{R}}^n$ and $Y_0 \sim \mu$. The coupling is as follows:

1. couple $\{X_t\}_{0 \leq t \leq T_0}$, $\{Y_t\}_{0 \leq t \leq T_0}$ by using the proportional coupling defined in Definition 4.5,
2. couple $\{X_t\}_{T_0 \leq t \leq T}$, $\{Y_t\}_{T_0 \leq t \leq T}$ by using the non-Markovian coupling defined in Definition 7.7.

Define the events

$$\begin{aligned}\mathcal{E}_1 &= \{\|A_{T_0} - B_{T_0}\|_1 \geq n^{-a}\} , \\ \mathcal{E}_2 &= \{\mathcal{P}_{T_0,1} \neq \{\{1, \dots, n\}\}\} , \\ \mathcal{E}_3 &= \{X_T \neq Y_T\} .\end{aligned}$$

By Lemma 2.3,

$$\sup_{X_0 \in \mathcal{S}_{\mathbb{R}}^n} \|\mathcal{L}(X_T) - \mu\|_{\text{TV}} \leq \sup_{X_0 \in \mathcal{S}_{\mathbb{R}}^n} \Pr[\mathcal{E}_3] \leq \sup_{X_0 \in \mathcal{S}_{\mathbb{R}}^n} (\Pr[\mathcal{E}_1] + \Pr[\mathcal{E}_2] + \Pr[\mathcal{E}_3 \cap \mathcal{E}_1^c \cap \mathcal{E}_2^c]) . \quad (22)$$

By Markov's inequality, we have

$$\begin{aligned}\Pr[\mathcal{E}_1] &= \Pr[\|A_{T_0} - B_{T_0}\|_1 \geq n^{-a}] \\ &\leq \Pr[\|A_{T_0} - B_{T_0}\|_2 \geq n^{-a-1/2}] \\ (\text{Lemma 4.7}) &\leq n^{2a+1} \cdot 2 \cdot \left(\frac{3}{4}\right)^{T_0} \leq \frac{1}{n^2} .\end{aligned} \quad (23)$$

Moreover, by Lemma 7.8, we have

$$\Pr[\mathcal{E}_2] \leq 2n^{-2} . \quad (24)$$

In order to bound $\Pr[\mathcal{E}_3 \cap \mathcal{E}_1^c \cap \mathcal{E}_2^c]$, recall the definition of $\mathcal{A}(t, k)$ in Definition 7.9. It is evident that $\bigcap_{(t,k) \sqsubseteq (T,1)} \mathcal{A}(t, k)$ implies \mathcal{E}_3 . Thus, $\mathcal{E}_3 \cap \mathcal{E}_1^c \cap \mathcal{E}_2^c$ implies $\bigcup_{(t,k) \sqsubseteq (T,1)} \mathcal{A}(t, k)^c \cap \mathcal{E}_1^c \cap \mathcal{E}_2^c$. So, we have

$$\begin{aligned}\Pr[\mathcal{E}_3 \cap \mathcal{E}_1^c \cap \mathcal{E}_2^c] &\leq \Pr\left[\bigcup_{(t,k) \sqsubseteq (T,1)} \mathcal{A}(t, k)^c \cap \mathcal{E}_1^c \cap \mathcal{E}_2^c\right] \\ &\leq \sum_{t=T_0}^{T-1} \sum_{k=1}^m \Pr\left[\mathcal{A}(t, k+1)^c \cap \left(\bigcap_{(t',k') \sqsubseteq (t,k)} \mathcal{A}(t', k')\right) \cap \mathcal{E}_1^c \cap \mathcal{E}_2^c\right] \\ &\quad + \Pr[\mathcal{A}(T_0, 1)^c \cap \mathcal{E}_1^c \cap \mathcal{E}_2^c] .\end{aligned} \quad (25)$$

Notice that if \mathcal{E}_2^c happens, we have

$$\sum_{i \in [n]} X_{T_0,1}[i]^2 = \sum_{i \in [n]} Y_{T_0,1}[i]^2 = 1 ,$$

and the proportional coupling forces $X_{T_0,1}[i] \cdot Y_{T_0,1}[i] = X_{T_0}[i] \cdot Y_{T_0}[i] \geq 0$ for all $1 \leq i \leq n$. Therefore, $\mathcal{A}(T_0, 1)$ must occur, i.e.,

$$\Pr[\mathcal{A}(T_0, 1)^c \cap \mathcal{E}_1^c \cap \mathcal{E}_2^c] = 0 . \quad (26)$$

Combining (25) and (26), we have

$$\Pr[\mathcal{E}_3 \cap \mathcal{E}_1^c \cap \mathcal{E}_2^c] \leq \sum_{t=T_0}^{T-1} \sum_{k=1}^m \Pr \left[\mathcal{A}(t, k+1)^c \cap \left(\bigcap_{(t', k') \sqsubseteq (t, k)} \mathcal{A}(t', k') \right) \cap \mathcal{E}_1^c \cap \mathcal{E}_2^c \right]. \quad (27)$$

We are now left to find an upper bound for $\Pr \left[\mathcal{A}(t, k+1)^c \cap \left(\bigcap_{(t', k') \sqsubseteq (t, k)} \mathcal{A}(t', k') \right) \cap \mathcal{E}_1^c \cap \mathcal{E}_2^c \right]$ when $T_0 \leq t \leq T-1$ and $1 \leq k \leq m$. To this end, we define

$$\mathcal{B}(t, k) = \left\{ \min_{(t', k') \sqsubseteq (t, k); t' \leq t} \min_{1 \leq i \leq n} Y_{t', k'}[i]^2 \geq n^{-b} \right\}.$$

Note that

$$\begin{aligned} & \Pr \left[\mathcal{A}(t, k+1)^c \cap \left(\bigcap_{(t', k') \sqsubseteq (t, k)} \mathcal{A}(t', k') \right) \cap \mathcal{E}_1^c \cap \mathcal{E}_2^c \right] \\ & \leq \Pr \left[\mathcal{A}(t, k+1)^c \cap \left(\bigcap_{(t', k') \sqsubseteq (t, k)} \mathcal{A}(t', k') \right) \cap \mathcal{B}(t, k) \cap \mathcal{E}_1^c \cap \mathcal{E}_2^c \right] + \Pr[\mathcal{B}(t, k)^c]. \end{aligned} \quad (28)$$

By Lemma 2.5 and a union bound over all (t', k') such that $(t', k') \sqsubseteq (t, k)$ and $t' \leq t$, we have for sufficiently large n ,

$$\Pr[\mathcal{B}(t, k)^c] \leq 15n^{3-\frac{b}{3}} \log(n). \quad (29)$$

Next, we consider two cases of the term

$$\Pr \left[\mathcal{A}(t, k+1)^c \cap \left(\bigcap_{(t', k') \sqsubseteq (t, k)} \mathcal{A}(t', k') \right) \cap \mathcal{B}(t, k) \cap \mathcal{E}_1^c \cap \mathcal{E}_2^c \right]$$

in (28): $(t, k) \notin H$ and $(t, k) \in H$, where H is defined in Definition 7.7. In the case that $(t, k) \notin H$, we have $\mathcal{P}_{t, k} = \mathcal{P}_{t, k+1}$ and we apply the proportional coupling. Thus $\mathcal{A}(t, k)$ implies $\mathcal{A}(t, k+1)$ which means

$$\Pr \left[\mathcal{A}(t, k+1)^c \cap \left(\bigcap_{(t', k') \sqsubseteq (t, k)} \mathcal{A}(t', k') \right) \cap \mathcal{B}(t, k) \cap \mathcal{E}_1^c \cap \mathcal{E}_2^c \right] = 0. \quad (30)$$

In the other case that $(t, k) \in H$, let

$$\begin{aligned} A &= \sum_{i \in \mathcal{S}_{u_{t, k}(t, k+1)} \setminus i_k^{(t)}} X_{t, k}[i]^2, & B &= X_{t, k}[i_k^{(t)}]^2 + X_{t, k}[j_k^{(t)}]^2, \\ C &= \sum_{i \in \mathcal{S}_{u_{t, k}(t, k+1)} \setminus i_k^{(t)}} Y_{t, k}[i]^2, & D &= Y_{t, k}[i_k^{(t)}]^2 + Y_{t, k}[j_k^{(t)}]^2, \\ S &= A + B \cos(\theta_k^{(t)})^2, & S' &= C + D \cos(\theta_k^{(t)})^2. \end{aligned}$$

On the event $\bigcap_{(t', k') \sqsubseteq (t, k)} \mathcal{A}(t', k') \cap \mathcal{B}(t, k) \cap \mathcal{E}_1^c \cap \mathcal{E}_2^c$, we have by Lemma 7.10

$$|A - C| \leq \|A_{t, k} - B_{t, k}\|_1 \leq n \|A_{T_0} - B_{T_0}\|_1 \leq n^{1-a}.$$

Similarly,

$$|B - D| \leq \|A_{t, k} - B_{t, k}\|_1 \leq n \|A_{T_0} - B_{T_0}\|_1 \leq n^{1-a}.$$

Moreover, $D \geq n^{-b}$ and $B \geq D - |B - D| \geq n^{-b}$ for sufficiently large n . Then apply [Lemma 7.11](#) with $p = b$, $q = a - 1$ and $q' = \frac{2(a-1)}{5}$, we know there exists a distribution ν_0 such that when $(\theta_k^{(t)}, \theta'_k{}^{(t)}) \sim \nu_0$, we have

$$\begin{aligned} & \cos(\theta_k^{(t)}) \cos(\theta'_k{}^{(t)}) \geq 0 \quad \text{and} \quad \sin(\theta_k^{(t)}) \sin(\theta'_k{}^{(t)}) \geq 0 \\ & \Pr_{(\theta_k^{(t)}, \theta'_k{}^{(t)}) \sim \nu_0} \left[S \neq S' \mid \bigcap_{(t', k') \sqsubseteq (t, k)} \mathcal{A}(t', k') \cap \mathcal{B}(t, k) \cap \mathcal{E}_1^c \cap \mathcal{E}_2^c \right] \leq 6 \times 10^3 n^{-\frac{a-1}{5}}. \end{aligned}$$

We choose the best distribution which maximizes the probability of event described in [\(19\)](#) and [\(20\)](#), so

$$\begin{aligned} & \Pr \left[\mathcal{A}(t, k+1)^c \cap \left(\bigcap_{(t', k') \sqsubseteq (t, k)} \mathcal{A}(t', k') \right) \cap \mathcal{B}(t, k) \cap \mathcal{E}_1^c \cap \mathcal{E}_2^c \right] \\ & \leq \Pr \left[\mathcal{A}(t, k+1)^c \mid \bigcap_{(t', k') \sqsubseteq (t, k)} \mathcal{A}(t', k') \cap \mathcal{B}(t, k) \cap \mathcal{E}_1^c \cap \mathcal{E}_2^c \right] \\ & \leq \Pr_{(\theta_k^{(t)}, \theta'_k{}^{(t)}) \sim \nu_0} \left[\mathcal{A}(t, k+1)^c \mid \bigcap_{(t', k') \sqsubseteq (t, k)} \mathcal{A}(t', k') \cap \mathcal{B}(t, k) \cap \mathcal{E}_1^c \cap \mathcal{E}_2^c \right] \\ & = \Pr_{(\theta_k^{(t)}, \theta'_k{}^{(t)}) \sim \nu_0} \left[S \neq S' \mid \bigcap_{(t', k') \sqsubseteq (t, k)} \mathcal{A}(t', k') \cap \mathcal{B}(t, k) \cap \mathcal{E}_1^c \cap \mathcal{E}_2^c \right] \leq 6 \times 10^3 n^{-\frac{a-1}{5}}. \quad (31) \end{aligned}$$

Combining [\(27\)](#), [\(28\)](#), [\(29\)](#), [\(30\)](#) and [\(31\)](#), we have for sufficiently large n

$$\Pr[\mathcal{E}_3 \cap \mathcal{E}_1^c \cap \mathcal{E}_2^c] \leq \sum_{t=T_0}^{T-1} \sum_{k=1}^m 6 \times 10^3 n^{-\frac{a-1}{5}} + 15n^{3-\frac{b}{3}} \log(n) \leq \frac{1}{n^2}. \quad (32)$$

By [\(22\)](#), [\(23\)](#), [\(24\)](#) and [\(32\)](#), we have for sufficiently large n and $T = 515 \log n$

$$\sup_{X_0 \in \mathcal{S}_{\mathbb{R}}^n} \|\mathcal{L}(X_T) - \mu\|_{\text{TV}} \leq \sup_{X_0 \in \mathcal{S}_{\mathbb{R}}^n} \Pr[\mathcal{E}_3] \leq \frac{1}{2n}.$$

As for $T = c \log n$ where $c > 515$, by [Lemma 2.4](#) we have

$$\sup_{X_0 \in \mathcal{S}_{\mathbb{R}}^n} \|\mathcal{L}(X_T) - \mu\|_{\text{TV}} \leq 2 \left(\frac{1}{n} \right)^{\lfloor \frac{T}{515 \log n} \rfloor} \leq \frac{1}{2^{(c/515-1) \log n - 1}}.$$

□

7.2.3 COMPLEX CASE

The output distribution of the parallel Kac's walk on complex vectors after T steps approaches the Haar measure on the complex unit sphere of \mathbb{C}^n exponentially fast as T grows. Formally,

Theorem 7.12. *Let $\{X_t \in \mathcal{S}_{\mathbb{C}}^n\}_{t \geq 0}$ be a Markov chain that evolves according to the parallel Kac's*

walk on complex vectors. Then, for sufficiently large n , $c > 515$ and $T = c \log n$,

$$\sup_{X_0 \in \mathcal{S}_{\mathbb{C}}^n} \|\mathcal{L}(X_T) - \mu\|_{\text{TV}} \leq \frac{1}{2^{(c/515-1)\log n-1}},$$

where $\mu_{\mathbb{C}}$ is the Haar measure on $\mathcal{S}_{\mathbb{C}}^n$.

We defer the complete proof to [Appendix B](#), as it is similar to the proof of [Theorem 7.6](#).

7.3 CONSTRUCTION OF DRSS AND DPRSS

7.3.1 REAL CASE

The following theorem proves that the RSS we construct over real space is also a DRSS.

Theorem 7.13. *Let $n \in \mathbb{N}$, $d = \log^2 \lambda + \log^2 n$ and $T = 515(\lambda + 1)n$. The ensemble of unitary operators RSG^n defined in [Definition 5.1](#) is a DRSS.*

To prove [Theorem 7.13](#), recall the ensemble of unitary operators $\widetilde{\text{RSG}}^n := \left\{ \widetilde{\text{RSG}}^{n,\lambda} \right\}_{\lambda}$ we define in [Section 5.1.2](#). We have the following proposition for $\widetilde{\text{RSG}}^n$.

Proposition 7.14. *For $T = 515(\lambda + 1)n$, the ensemble of unitary operator $\widetilde{\text{RSG}}^n$ is a CRSS.*

Proof. Note that a uniformly random $\widetilde{\text{RSG}}_{(\sigma)_T, (\tilde{f})_T}^{n,\lambda}$ corresponds to a T -step parallel Kac's walk on $\mathcal{S}_{\mathbb{R}}^{2^n}$. The proposition then follows from [Theorem 7.6](#) and the definition of the CRSS. \square

Let $|\eta\rangle \in \mathcal{S}(\mathcal{H})$ be an arbitrary real state. Set

$$\mathcal{N} = \left\{ \text{RSG}_{(\sigma)_T, (f)_T}^{n,\lambda} |\eta\rangle \right\} \quad \text{and} \quad \tilde{\mathcal{N}} = \left\{ \widetilde{\text{RSG}}_{(\sigma)_T, (\tilde{f})_T}^{n,\lambda} |\eta\rangle \right\}. \quad (33)$$

We need the following two lemmas. Both proofs are deferred to [Appendix B](#).

Lemma 7.15. $\tilde{\mathcal{N}} = \mathcal{S}_{\mathbb{R}}^{2^n}$.

Lemma 7.16. *There exists an $\epsilon = \text{negl}(\lambda)$ such that \mathcal{N} is an ϵ -net for real vectors in $\mathcal{S}(\mathcal{H})$, where \mathcal{N} is defined in Eq. (33).*

Proof of Theorem 7.13. It is easy to see that the uniformity condition is satisfied. Let κ denote the key length. Quantum circuit $\text{RSG}^{n,\lambda}$ applies $\text{RSG}_{(\sigma)_T, (f)_T}^{n,\lambda}$ after reading $(\sigma)_T$ and $(f)_T$. To implement $\text{RSG}_{(\sigma)_T, (f)_T}^{n,\lambda}$, we need to realize each of the $T = 515(\lambda + 1)n$ unitary gates K . Since each gate K can be implemented in $\text{poly}(n, \lambda, \kappa)$ time, the total construction time for $\text{RSG}_{(\sigma)_T, (f)_T}^{n,\lambda}$ is also $\text{poly}(n, \lambda, \kappa)$.

Combining with [Lemma 7.16](#), it suffices to prove that there exists a good distribution $\tilde{\nu}$ satisfying the requirement in [Definition 7.1](#). Fix $|\eta\rangle \in \mathcal{S}(\mathcal{H})$. Define three distributions:

- ν be the distribution of $\text{RSG}_{(\sigma)_T, (f)_T}^{n,\lambda} |\eta\rangle$ with independent and uniformly random permutations $(\sigma)_T \in S_{2^n}$ and random functions $(f)_T : \{0, 1\}^{n-1} \rightarrow \{0, 1\}^d$.

- $\tilde{\nu}$ be the distribution of $\widetilde{\text{RSG}}_{(\sigma)_T, (f)_T}^{n, \lambda} |\eta\rangle$ with independent and uniformly random permutations $(\sigma)_T \in S_{2^n}$, and random functions $(\tilde{f})_T : \{0, 1\}^{n-1} \rightarrow [0, 1)$.
- μ be the Haar measure on $\mathcal{S}_{\mathbb{R}}^{2^n}$.

Note that $\tilde{\nu}$ is the output distribution of T -step parallel Kac's walk. Thus by [Theorem 7.6](#), we have

$$\|\tilde{\nu} - \mu\|_{\text{TV}} \leq \frac{1}{2^{\lambda n - 1}} = \text{negl}(\lambda) \quad . \quad (34)$$

We are left to show the Wasserstein ∞ -distance between ν and $\tilde{\nu}$ is negligible. To this end, we construct a coupling γ_0 of ν and $\tilde{\nu}$ by using the same permutation σ_t and letting f_t be the function satisfying $f_t(y)$ is the d digits after the binary point in $\tilde{f}_t(y)$ for all $y \in \{0, 1\}^{n-1}$. Therefore

$$\begin{aligned} W_{\infty}(\nu, \tilde{\nu}) &= \lim_{p \rightarrow \infty} \left(\inf_{\gamma \in \Gamma(\nu, \tilde{\nu})} \mathbb{E}_{(|v\rangle, |u\rangle) \sim \gamma} [\| |v\rangle - |u\rangle \|_2^p] \right)^{1/p} \\ &\leq \lim_{p \rightarrow \infty} \left(\mathbb{E}_{(|v\rangle, |u\rangle) \sim \gamma_0} [\| |v\rangle - |u\rangle \|_2^p] \right)^{1/p} \stackrel{\text{Eq. (62)}}{\leq} \frac{1030\pi(\lambda + 1)n}{\lambda \log \lambda n \log n} = \text{negl}(\lambda) \quad . \quad (35) \end{aligned}$$

This completes the proof. \square

In [Section 5.1.3](#), we substitute random permutations and random functions utilized in RSG^n with pseudorandom alternatives, resulting in SG^n which is proved to be a PRSS. In fact, SG^n is also a DPRSS.

Theorem 7.17. *Let $n \in \mathbb{N}$, $d = \log^2 \lambda + \log^2 n$ and $T = 515(\lambda + 1)n$. The ensemble of unitary operators SG^n defined in [Definition 5.4](#) is a DPRSS.*

Proof. It is easy to see the conditions of polynomial-bounded key length and uniformity are satisfied. We now prove the condition of computational Wasserstein approximation of Haar randomness. Let ν be the distribution of $\text{RSG}_{(\sigma)_T, (f)_T}^{n, \lambda} |\eta\rangle$ with random permutations and random functions, and \mathcal{N} be the support of ν . By [Theorem 7.13](#), \mathcal{N} is an ϵ -net with $\epsilon = \text{negl}(\lambda)$, and there exists a distribution $\tilde{\nu}$ such that $\|\mu - \tilde{\nu}\|_{\text{TV}}$ and $W_{\infty}(\nu, \tilde{\nu})$ are both negligible. Moreover, the output distribution of SG^n is computationally indistinguishable from ν since we use QPRPs and QPRFs to replace random permutations and random functions. \square

7.3.2 COMPLEX CASE

Likewise, the ensemble of unitary operators built over complex space in [Section 5.2](#) turns out to be a DRSS. The proof is proved in [Appendix B](#).

Theorem 7.18. *Let $n \in \mathbb{N}$, $d = 2(\log^2 \lambda + \log^2 n)$ and $T = 515(\lambda + 1)n$. The ensemble of unitary operators RSGC^n defined in [Definition 5.6](#) is a DRSS.*

For the same reason as [Theorem 7.17](#), replacing the random primitives employed in RSGC^n with their pseudorandom counterparts yields a DPRSS.

Theorem 7.19. *Let $n \in \mathbb{N}$, $d = 2(\log^2 \lambda + \log^2 n)$ and $T = 515(\lambda + 1)n$. The ensemble of unitary operators SGC^n defined in [Definition 5.8](#) is a DPRSS.*

A CONNECTIONS WITH EXISTING PRS VARIANTS

(Scalable) Pseudorandom States. The original definition of [JLS18] identifies the number of qubits n with the security parameter. This is refined by [BS20b] that treats n and λ separately, and they call it *scalable* PRSGs. The primary benefit is to tune security when $n < \lambda$. We rephrase the scalable definition in a style that is congruent with our definitions of new quantum pseudorandom primitives.

Definition A.1 ((Scalable) PRSG). *Let $\mathcal{K} = \{0, 1\}^\kappa$ be a key space, \mathcal{H} be a Hilbert space of dimension 2^n with $n \in \mathbb{N}$, λ be a security parameter. A (scalable) pseudorandom state generator (PRSG) is an ensemble of unitaries*

$$\mathcal{G}^n := \{\{\mathcal{G}_k^{n,\lambda} : \mathcal{H} \rightarrow \mathcal{H}\}_{k \in \mathcal{K}}\}_\lambda$$

satisfying

- **Pseudorandomness.** *Any polynomially many ℓ copies of $|\phi_k\rangle$ with the same random k is computationally indistinguishable from the same number of copies of a Haar random state. More precisely, for any $n \in \mathbb{N}$, any efficient quantum algorithm \mathcal{A} and any $\ell \in \text{poly}(\lambda)$,*

$$\left| \Pr_{k \leftarrow \mathcal{K}} \left[\mathcal{A} \left(|\phi_k\rangle^{\otimes \ell} \right) = 1 \right] - \Pr_{|\psi\rangle \leftarrow \mu} \left[\mathcal{A} \left(|\psi\rangle^{\otimes \ell} \right) = 1 \right] \right| = \text{negl}(\lambda) \quad ,$$

where $|\phi_k\rangle := \mathcal{G}_k^{n,\lambda} |0^n\rangle$ and μ is the Haar measure on $\mathcal{S}(\mathcal{H})$.

- **Uniformity.** *\mathcal{G}^n can be uniformly computed in polynomial time. That is, there is a deterministic Turing machine that, on input $(1^n, 1^\lambda, 1^\kappa)$, outputs a quantum circuit Q in $\text{poly}(n, \lambda, \kappa)$ time such that for all $k \in \mathcal{K}$ and $|\phi\rangle \in \mathcal{S}(\mathcal{H}_{\text{in}})$*

$$Q |k\rangle |\phi\rangle = |k\rangle |\phi_k\rangle \quad ,$$

where $|\phi_k\rangle := \mathcal{G}_k^{n,\lambda} |\phi\rangle$.

- **Polynomially-bounded key length.** $\kappa = \log |\mathcal{K}| = \text{poly}(m, \lambda)$. As a result, \mathcal{G}^n can be computed efficiently in time $\text{poly}(n, \lambda)$.

We informally call the keyed family of quantum states $\{|\phi_k\rangle\}_{k \in \mathcal{K}}$ a (scalable) pseudorandom quantum state in \mathcal{H} .

The existence of PRSSs implies the existence of (scalable) PRSGs [JLS18, BS20b] straightforwardly by definition.

Lemma A.2. *If $\mathcal{R}^{n,m}$ is a PRSS from \mathcal{H}_{in} to \mathcal{H}_{out} over a key space \mathcal{K} with security parameter λ , $\left\{ \mathcal{R}_k^{n,m,\lambda} |\phi\rangle \right\}_{k \in \mathcal{K}}$ is a (scalable) PRS in \mathcal{H}_{out} for any $|\phi\rangle \in \mathcal{S}(\mathcal{H}_{\text{in}})$.*

Pseudorandom Function-like States. We recall the definition of the pseudorandom function-like states generator with three levels of security:

Definition A.3 (PRFSG [AQY22, AGQY22]). *Let $\mathcal{K} = \{0, 1\}^\lambda$ be a key space. Let $C = \{0, 1\}^n$ be a classical input space and \mathcal{H} be a Hilbert space of dimension 2^m . A pair of $\text{poly}(\lambda, m)$ -time quantum algorithm (K, G) is a pseudorandom function-like state generator if the following holds:*

- **Key Generation.** For all $\lambda \in \mathbb{N}$, $K(1^\lambda)$ outputs a uniform key $k \in \mathcal{K}$.
- **State Generation.** For all $k \in \mathcal{K}$ and $x \in C$, $G(1^\lambda, k, x)$ computes $|\phi_{x,k}\rangle \in \mathcal{S}(\mathcal{H})$.
- **Pseudorandomness.** The pseudorandomness can be defined in three different levels (from weaker to stronger):

- **Selective security.** For any $\lambda \in \mathbb{N}$, $s \in \text{poly}(\lambda)$, $\ell \in \text{poly}(\lambda)$, any efficient quantum algorithm (non-uniform) \mathcal{A} and a set of pre-declared input $\{x_1, \dots, x_s\} \subseteq C$,

$$\left| \Pr_{k \leftarrow \mathcal{K}} \left[\mathcal{A}(x_1, \dots, x_s, |\phi_1\rangle^{\otimes \ell}, \dots, |\phi_s\rangle^{\otimes \ell}) = 1 \right] - \Pr_{|\psi_1\rangle, \dots, |\psi_s\rangle \leftarrow \mu} \left[\mathcal{A}(x_1, \dots, x_s, |\psi_1\rangle^{\otimes \ell}, \dots, |\psi_s\rangle^{\otimes \ell}) = 1 \right] \right| \leq \text{negl}(\lambda),$$

where, for each i , $|\phi_i\rangle$ denotes $|\phi_{x_i,k}\rangle$ generated by G ; and $|\psi_i\rangle$ is a Haar random state.

- **Adaptive security.** Given classical-access to either the PRFS oracle $\mathcal{O}_{\text{PRFS}}$ or the Haar-random oracle $\mathcal{O}_{\text{Haar}}$, for any $\lambda \in \mathbb{N}$, any efficient quantum algorithm (non-uniform) \mathcal{A} with polynomial length quantum advice ρ_λ ,

$$\left| \Pr_{k \leftarrow \mathcal{K}} \left[\mathcal{A}^{\mathcal{O}_{\text{PRFS}}(k, \cdot)}(\rho_\lambda) = 1 \right] - \Pr_{\mathcal{O}_{\text{Haar}}} \left[\mathcal{A}^{\mathcal{O}_{\text{Haar}}(\cdot)}(\rho_\lambda) = 1 \right] \right| \leq \text{negl}(\lambda),$$

where on input $x \in C$, $\mathcal{O}_{\text{PRFS}}(k, \cdot)$ outputs $G(1^\lambda, k, x)$; and $\mathcal{O}_{\text{Haar}}(\cdot)$ outputs a Haar random $|\psi_x\rangle$.

- **Quantum-accessible adaptive security.** Given quantum-access to a PRFS or Haar-random oracle, for any $\lambda \in \mathbb{N}$, for any efficient quantum algorithm (non-uniform) \mathcal{A} with polynomial length quantum advice ρ_λ ,

$$\left| \Pr_{k \leftarrow \mathcal{K}} \left[\mathcal{A}^{|\mathcal{O}_{\text{PRFS}}(k, \cdot)\rangle}(\rho_\lambda) = 1 \right] - \Pr_{\mathcal{O}_{\text{Haar}}} \left[\mathcal{A}^{|\mathcal{O}_{\text{Haar}}(\cdot)\rangle}(\rho_\lambda) = 1 \right] \right| \leq \text{negl}(\lambda),$$

where on input a n -qubit register X , $\mathcal{O}_{\text{PRFS}}(k, \cdot)$ applies a channel that controlled on the register X containing x , and stores $G(1^\lambda, k, x)$ in the register Y , then output (X, Y) ; instead, $\mathcal{O}_{\text{Haar}}(\cdot)$ stores a Haar random $|\psi_x\rangle\langle\psi_x|$ on the register Y , then output (X, Y) .

As previously mentioned, the security of our PRSS is maintained when applied to any arbitrary initial pure state, making it straightforward to derive a PRFSG with selective security.

Lemma A.4. Assume $\mathcal{R}^{n,m}$ is a PRSS from \mathcal{H}_{in} to \mathcal{H}_{out} over a key space \mathcal{K} with security parameter λ . Construct (\hat{K}, \hat{G}) in the following way:

- (Key generation.) Given $s \in \text{poly}(\lambda)$, for all $\lambda \in \mathbb{N}$, $\hat{K}(1^\lambda)$ generates a key $k = \{k_1, \dots, k_s\}$ such that for $i \in [s]$, k_i is chosen uniformly and independently from \mathcal{K} ;
- (State generation.) For all k and classical queries $\{x_i \in C\}_{i=1}^s$, $\hat{G}(1^\lambda, k, x_i)$ computes $|\phi_i\rangle = \mathcal{R}_{k_i}^{n,m,\lambda} |x_i\rangle$.

Then, (\hat{K}, \hat{G}) is a PRFSG with selective security.

Proof. The algorithm (\hat{K}, \hat{G}) is efficient as it essentially performs PRSS a polynomial number of times. Meanwhile, the indistinguishability holds because all output states are obtained via independent keys. \square

If we restrict $n = O(\log \lambda)$ and set $s = O(2^n) \in \text{poly}(\lambda)$, the construction in [Lemma A.4](#) produces sufficient key segments to ensure that every $x \in C$ has its own independent key. As a consequence, log-input PRFSGs with adaptive security can be achieved through the use of PRSSs. Furthermore, as demonstrated by the results in [\[Zha21\]](#), quantum superposition queries over the input domain do not provide any additional advantages when the output state is known for every input string, which results in quantum-accessible adaptive security.

Lemma A.5. *If $\mathcal{R}^{n,m}$ is a PRSS from \mathcal{H}_{in} to \mathcal{H}_{out} over a key space \mathcal{K} with security parameter λ s.t. $n = O(\log \lambda)$, then (\hat{K}, \hat{G}) is a PRFSG satisfying adaptive security and quantum-accessible adaptive security.*

Prior works [\[AQY22, AGQY22\]](#) have demonstrated that log-input PRFSGs can be constructed from a PRS, although this approach requires a *test procedure*. The test procedure involves post-selecting among the classical input domain, which introduces errors and incurs computation overhead. By flexibility in input selection, our PRSS provides a cleaner method. We note that PRFSGs on long inputs (i.e., exponentially large domain) seem stronger and might not be possible from PRSs or PRSSs in a black-box manner. Existing constructions need to employ a post-quantum PRF.

B DEFERRED PROOFS

B.1 PROOF OF [LEMMA 2.2](#)

Proof of [Lemma 2.2](#). We demonstrate that the real case and the complex case can be established using the same approach.

Let $\zeta^+ - \zeta^-$ be the Hahn decomposition of the signed measure $\mu - \nu$. Then

$$\begin{aligned}
& \left\| \mathbb{E}_{|\psi\rangle \sim \mu} [(|u\rangle\langle u|)^{\otimes l}] - \mathbb{E}_{|\varphi\rangle \sim \nu} [(|u\rangle\langle u|)^{\otimes l}] \right\|_1 \\
&= \left\| \int_{\mathcal{S}_{\mathbb{R}}^{2^n}} (|u\rangle\langle u|)^{\otimes l} (\mu - \nu) (d|u\rangle) \right\|_1 \\
&= \left\| \int_{\mathcal{S}_{\mathbb{R}}^{2^n}} (|u\rangle\langle u|)^{\otimes l} (\zeta^+ - \zeta^-) (d|u\rangle) \right\|_1 \\
&\leq \left\| \int_{\mathcal{S}_{\mathbb{R}}^{2^n}} (|u\rangle\langle u|)^{\otimes l} \zeta^+ (d|u\rangle) \right\|_1 + \left\| \int_{\mathcal{S}_{\mathbb{R}}^{2^n}} (|u\rangle\langle u|)^{\otimes l} \zeta^- (d|u\rangle) \right\|_1 \\
&\leq \int_{\mathcal{S}_{\mathbb{R}}^{2^n}} \| (|u\rangle\langle u|)^{\otimes l} \|_1 \zeta^+ (d|u\rangle) + \int_{\mathcal{S}_{\mathbb{R}}^{2^n}} \| (|u\rangle\langle u|)^{\otimes l} \|_1 \zeta^- (d|u\rangle) \\
&= \zeta^+ \left(\mathcal{S}_{\mathbb{R}}^{2^n} \right) + \zeta^- \left(\mathcal{S}_{\mathbb{R}}^{2^n} \right) \\
&= \|\mu - \nu\|_{\text{TV}} .
\end{aligned}$$

□

B.2 PROOF OF LEMMA 2.9

Proof of Lemma 2.9. We first prove the case that $F : \mathcal{K}_1 \times \mathcal{X}_1 \rightarrow \mathcal{Y}_1$ and $G : \mathcal{K}_2 \times \mathcal{X}_2 \rightarrow \mathcal{Y}_2$ are both QPRFs. We prove the lemma by contradiction. Suppose there exists a polynomial-time quantum oracle algorithm \mathcal{A} who queries q times such that

$$\left| \Pr_{k_1 \leftarrow \mathcal{K}_1, k_2 \leftarrow \mathcal{K}_2} \left[\mathcal{A}^{F_{k_1}, G_{k_2}}(1^\lambda) = 1 \right] - \Pr_{f \leftarrow \mathcal{Y}_1^{\mathcal{X}_1}, g \leftarrow \mathcal{Y}_2^{\mathcal{X}_2}} \left[\mathcal{A}^{f, g}(1^\lambda) = 1 \right] \right| = \frac{1}{\text{poly}(\lambda)} .$$

By the triangle inequality,

$$\begin{aligned} & \left| \Pr_{k_1 \leftarrow \mathcal{K}_1, k_2 \leftarrow \mathcal{K}_2} \left[\mathcal{A}^{F_{k_1}, G_{k_2}}(1^\lambda) = 1 \right] - \Pr_{k_1 \leftarrow \mathcal{K}_1, g \leftarrow \mathcal{Y}_2^{\mathcal{X}_2}} \left[\mathcal{A}^{F_{k_1}, g}(1^\lambda) = 1 \right] \right| \\ & + \left| \Pr_{k_1 \leftarrow \mathcal{K}_1, g \leftarrow \mathcal{Y}_2^{\mathcal{X}_2}} \left[\mathcal{A}^{F_{k_1}, g}(1^\lambda) = 1 \right] - \Pr_{f \leftarrow \mathcal{Y}_1^{\mathcal{X}_1}, g \leftarrow \mathcal{Y}_2^{\mathcal{X}_2}} \left[\mathcal{A}^{f, g}(1^\lambda) = 1 \right] \right| \geq \frac{1}{\text{poly}(\lambda)} . \end{aligned}$$

Without loss of generality, we assume

$$\left| \Pr_{k_1 \leftarrow \mathcal{K}_1, g \leftarrow \mathcal{Y}_2^{\mathcal{X}_2}} \left[\mathcal{A}^{F_{k_1}, g}(1^\lambda) = 1 \right] - \Pr_{f \leftarrow \mathcal{Y}_1^{\mathcal{X}_1}, g \leftarrow \mathcal{Y}_2^{\mathcal{X}_2}} \left[\mathcal{A}^{f, g}(1^\lambda) = 1 \right] \right| \geq \frac{1}{2 \cdot \text{poly}(\lambda)} .$$

Thus we can define a polynomial-time quantum oracle algorithm \mathcal{A}' that is able to distinguish F_{k_1} from a random function f . Once \mathcal{A}' gets an oracle access to some function $h \in \{F_{k_1}, f\}$, it simulates the execution of \mathcal{A} with oracle access to h and a random function g . Since \mathcal{A} makes at most q queries, \mathcal{A}' can efficiently simulate a random oracle using $2q$ -wise independent function (see [Zha15, Theorem 6.1]). This contradicts the quantum-security property of F .

To prove the case that $F : \mathcal{K}_1 \times \mathcal{X}_1 \rightarrow \mathcal{Y}_1$ is a QPRF and $G : \mathcal{K}_2 \times \mathcal{X}_2 \rightarrow \mathcal{X}_2$ is a QPRP, we may assume as above that there exists a polynomial-time quantum oracle algorithm \mathcal{A} who queries q times such that

$$\left| \Pr_{k_1 \leftarrow \mathcal{K}_1, g \leftarrow \mathcal{S}_{\mathcal{X}_2}} \left[\mathcal{A}^{F_{k_1}, g}(1^\lambda) = 1 \right] - \Pr_{f \leftarrow \mathcal{Y}_1^{\mathcal{X}_1}, g \leftarrow \mathcal{S}_{\mathcal{X}_2}} \left[\mathcal{A}^{f, g}(1^\lambda) = 1 \right] \right| \geq \frac{1}{2 \cdot \text{poly}(\lambda)} .$$

Then we define the following efficient algorithm \mathcal{A}'' to distinguish a QPRF from a random function:

1. Given $h \in \{F_{k_1}, f\}$, it chooses a permutation g uniformly at random from a $2q$ -wise almost independent family of permutations to simulate a random permutation oracle. This sampling procedure can be done in polynomial time (see [KNR09, Theorem 5.9]).
2. It simulates \mathcal{A} with oracle access to h and g , and outputs what \mathcal{A} returns.

This breaks the quantum-security property of QPRFs.

□

B.3 PROOF OF THEOREM 4.8

To prove [Theorem 4.8](#), we extend the the proportional coupling introduced in real case to complex case. In the proportional coupling, the real case lets $(X_t[i], X_t[j])$ be collinear with $(Y_t[i], Y_t[j])$ so that the distance from X_t to Y_t is reduced by a constant factor in each step. However in complex case, $(X_t[i], X_t[j])$ is actually a two dimensional complex vector and this makes it unsuitable to adopt the previous approach directly. To deal with this, in the complex case, we let $(|X_t[i]|, |X_t[j]|)$ align collinearly with $(|Y_t[i]|, |Y_t[j]|)$ in real two dimensional real plane, and make $X_t[i]$ and $Y_t[i]$, as well as $X_t[j]$ and $Y_t[j]$, share the same argument in complex plane in the meantime. We assume $n = 2m$.

B.3.1 PROPORTIONAL COUPLING

Definition B.1 (Proportional Coupling). *We define a coupling of two copies $\{X_t\}_{t \geq 0}, \{Y_t\}_{t \geq 0}$ of parallel Kac's walk on complex vectors in the following way: Fix $X_t, Y_t \in \mathbb{C}^n$.*

1. Choose a perfect matching of $[n]$, denoted by $P_t = \left\{ \left(i_1^{(t)}, j_1^{(t)} \right), \dots, \left(i_m^{(t)}, j_m^{(t)} \right) \right\}$, uniformly at random.
2. Let $X_{t,1} = X_t$ and $Y_{t,1} = Y_t$. For every $1 \leq k \leq m$:

(a) let $l_k^{(t)} = \sqrt{|X_{t,k}[i_k^{(t)}]|^2 + |X_{t,k}[j_k^{(t)}]|^2}$ and $l'_k{}^{(t)} = \sqrt{|Y_{t,k}[i_k^{(t)}]|^2 + |Y_{t,k}[j_k^{(t)}]|^2}$. Let U_0 and U'_0 be the unitary operators in $SU(2)$ which satisfy

$$U_0 \begin{pmatrix} X_{t,k}[i_k^{(t)}] \\ X_{t,k}[j_k^{(t)}] \end{pmatrix} = \begin{pmatrix} l_k^{(t)} \\ 0 \end{pmatrix} \quad \text{and} \quad U'_0 \begin{pmatrix} Y_{t,k}[i_k^{(t)}] \\ Y_{t,k}[j_k^{(t)}] \end{pmatrix} = \begin{pmatrix} l'_k{}^{(t)} \\ 0 \end{pmatrix} .$$

(b) pick $\alpha_k^{(t)}, \beta_k^{(t)} \in [0, 2\pi)$ and $\zeta_k^{(t)} \in [0, 1)$ uniformly at random and set

$$\theta_k^{(t)} = \arcsin \sqrt{\zeta_k^{(t)}} . \tag{36}$$

(c) set

$$\begin{aligned} X_{t,k+1} &= G_{\mathbb{C}} \left(i_k^{(t)}, j_k^{(t)}, \alpha_k^{(t)}, \beta_k^{(t)}, \theta_k^{(t)}, U_0 X_{t,k} \right) , \\ Y_{t,k+1} &= G_{\mathbb{C}} \left(i_k^{(t)}, j_k^{(t)}, \alpha_k^{(t)}, \beta_k^{(t)}, \theta_k^{(t)}, U'_0 Y_{t,k} \right) . \end{aligned}$$

3. Finally, set $X_{t+1} = X_{t,m+1}$ and $Y_{t+1} = Y_{t,m+1}$.

Remark B.2. *In step 2(a), if $l_k^{(t)} \neq 0$, $X_{t,k}[i_k^{(t)}] = r_1 e^{i\gamma}$ and $X_{t,k}[j_k^{(t)}] = r_2 e^{i\delta}$ with $r_1, r_2 \in [0, 1]$ and $\gamma, \delta \in [0, 2\pi)$, then U_0 is $U(\alpha_0, \beta_0, \theta_0)$ where*

$$\alpha_0 = -\gamma , \quad \beta_0 = \pi - \delta , \quad \theta_0 = \arccos \frac{r_1}{\sqrt{r_1^2 + r_2^2}} .$$

If $l_k^{(t)} = 0$, U_0 can be arbitrary matrix in $SU(2)$. The same applies to U'_0 .

Due to the unitary invariance of Haar measures, UU_0 is Haar distributed on $SU(2)$ for a random U sampled according to Haar measure on $SU(2)$. This guarantees that the proportional coupling is indeed a valid coupling.

Remark B.3. *The proportional coupling forces $X_{t+1}[i], Y_{t+1}[i]$ and the original point to be collinear in the complex plane. In other words, $X_{t+1}[i]$ and $Y_{t+1}[i]$ have the same argument. Specifically, we can write*

$$X_{t+1}[i] = e^{i\phi}l \quad \text{and} \quad Y_{t+1}[i] = e^{i\phi}l'$$

for some $l, l' \in [0, 1], \phi \in [0, 2\pi)$.

Through proportional coupling, X and Y approach each other at an exponential rate. Formally, we have

Lemma B.4. *Let $X_0, Y_0 \in \mathcal{S}_{\mathbb{C}}^n$. For $t \geq 0$, we couple (X_{t+1}, Y_{t+1}) conditional on (X_t, Y_t) according to the proportional coupling defined in [Definition B.1](#). We define*

$$A_t[i] = |X_t[i]|^2, \quad B_t[i] = |Y_t[i]|^2.$$

Then for any $l \in \mathbb{N}$, we have

$$\mathbb{E} \left[\sum_{i=1}^n (A_t[i] - B_t[i])^2 \right] \leq 2 \cdot \left(\frac{2}{3} \right)^l.$$

Proof of Lemma B.4. Fix $X_t, Y_t \in \mathcal{S}_{\mathbb{C}}^n$. Let (X_{t+1}, Y_{t+1}) obtained from (X_t, Y_t) by applying the coupling defined in [Definition B.1](#). Recall that $n = 2m$. Let $N = \frac{n!}{2^m m!}$ be the number of perfect matchings for $[n]$. A perfect matching $\left\{ \left(i_1^{(t)}, j_1^{(t)} \right), \dots, \left(i_m^{(t)}, j_m^{(t)} \right) \right\}$ of $[n]$ at step t is denoted by $\left(\vec{i}^{(t)}, \vec{j}^{(t)} \right)$.

We have

$$\mathbb{E} \left[\sum_{i=1}^n (A_{t+1}[i] - B_{t+1}[i])^2 \right] = \frac{1}{N} \sum_{\left(\vec{i}^{(t)}, \vec{j}^{(t)} \right)} \underbrace{\mathbb{E} \left[\sum_{i=1}^n (A_{t+1}[i] - B_{t+1}[i])^2 \middle| P_t = \left(\vec{i}^{(t)}, \vec{j}^{(t)} \right) \right]}_{(\star)}. \quad (37)$$

By the definition of the parallel Kac's walk on complex vectors, we have

$$\begin{aligned} (\star) &= \sum_{k=1}^m \mathbb{E} \left[\left(\left(A_t[i_k^{(t)}] + A_t[j_k^{(t)}] \right) \cos(\theta_k^{(t)})^2 - \left(B_t[i_k^{(t)}] + B_t[j_k^{(t)}] \right) \cos(\theta_k^{(t)})^2 \right)^2 \right] \\ &\quad + \sum_{k=1}^m \mathbb{E} \left[\left(\left(A_t[i_k^{(t)}] + A_t[j_k^{(t)}] \right) \sin(\theta_k^{(t)})^2 - \left(B_t[i_k^{(t)}] + B_t[j_k^{(t)}] \right) \sin(\theta_k^{(t)})^2 \right)^2 \right] \\ &= \frac{2}{3} \sum_{k=1}^m \left(\left(A_t[i_k^{(t)}] + A_t[j_k^{(t)}] \right) - \left(B_t[i_k^{(t)}] + B_t[j_k^{(t)}] \right) \right)^2 \\ &= \frac{2}{3} \underbrace{\sum_{k=1}^m \left(\left(A_t[i_k^{(t)}] - B_t[i_k^{(t)}] \right)^2 + \left(A_t[j_k^{(t)}] - B_t[j_k^{(t)}] \right)^2 \right)}_{(\star\star)} \end{aligned}$$

$$+ \underbrace{\frac{2}{3} \sum_{k=1}^m 2 \left(A_t[i_k^{(t)}] - B_t[i_k^{(t)}] \right) \left(A_t[j_k^{(t)}] - B_t[j_k^{(t)}] \right)}_{(\star\star\star)}, \quad (38)$$

where the second equality is by $\mathbb{E} \left[\cos(\theta_k^{(t)})^4 \right] = \mathbb{E} \left[\sin(\theta_k^{(t)})^4 \right] = 1/3$.

As $\left\{ \left(i_1^{(t)}, j_1^{(t)} \right), \dots, \left(i_m^{(t)}, j_m^{(t)} \right) \right\}$ is a perfect matching, we have

$$(\star\star) = \frac{2}{3} \sum_{i=1}^n (A_t[i] - B_t[i])^2. \quad (39)$$

Combing Eqs. (37)(38)(39), we obtain

$$\mathbb{E} \left[\sum_{i=1}^n (A_{t+1}[i] - B_{t+1}[i])^2 \right] = \frac{2}{3} \sum_{i=1}^n (A_t[i] - B_t[i])^2 + \frac{1}{N} \underbrace{\sum_{\left(\vec{i}^{(t)}, \vec{j}^{(t)} \right)} (\star\star\star)}_{(4\star)}. \quad (40)$$

Using the same calculation in Eq. (7), we have

$$(4\star) = -\frac{2}{3(n-1)} \sum_{i=1}^n (A_t[i] - B_t[i])^2. \quad (41)$$

Combining Eqs. (40)(41), we have

$$\begin{aligned} \mathbb{E} \left[\sum_{i=1}^n (A_l[i] - B_l[i])^2 \right] &= \mathbb{E} \left[\mathbb{E} \left[\sum_{i=1}^n (A_l[i] - B_l[i])^2 \middle| X_{l-1}, Y_{l-1} \right] \right] \\ &\leq \frac{2}{3} \mathbb{E} \left[\sum_{i=1}^n (A_{l-1}[i] - B_{l-1}[i])^2 \right] \\ &\leq \left(\frac{2}{3} \right)^l \sum_{i=1}^n (A_0[i] - B_0[i])^2 \leq 2 \cdot \left(\frac{2}{3} \right)^l. \end{aligned}$$

□

B.3.2 PROOF OF THE MIXING TIME

Proof of Theorem 4.8. Let $T = 10(c+1) \log n$ for $c > 0$. We couple two copies $\{X_t\}_{t \geq 0}$ and $\{Y_t\}_{t \geq 0}$ of the parallel Kac's walk with starting points $X_0 = x \in \mathcal{S}_{\mathbb{C}}^n$ and $Y_0 \sim \mu$, by applying the proportional coupling. We have

$$W_1(\mathcal{L}(X_T), \mu) = W_1(\mathcal{L}(X_T), \mathcal{L}(Y_T)) \leq \mathbb{E}[\|X_T - Y_T\|_2] \leq \left(\mathbb{E}[\|X_T - Y_T\|_2^4] \right)^{1/4}.$$

Then by Cauchy-Schwarz inequality, we have

$$W_1(\mathcal{L}(X_T), \mu) \leq \left(n \mathbb{E}[\|X_T - Y_T\|_4^4] \right)^{1/4}. \quad (42)$$

Note that the proportional coupling forces $X_T[i]$ and $Y_T[i]$ share the same argument for all $i \in [n]$. Therefore, for all $i \in [n]$

$$|X_T[i] - Y_T[i]| = \left| |X_T[i]| - |Y_T[i]| \right| \leq |X_T[i]| + |Y_T[i]|.$$

This gives us

$$\|X_T - Y_T\|_4^4 = \sum_{i=1}^n |X_T[i] - Y_T[i]|^4 \leq \sum_{i=1}^n (|X_T[i]|^2 - |Y_T[i]|^2)^2 . \quad (43)$$

Combing Eqs. (42) and (43), we have

$$\begin{aligned} W_1(\mathcal{L}(X_T), \mu) &\leq \left(n \mathbb{E} \left[\sum_{i=1}^n (|X_T[i]|^2 - |Y_T[i]|^2)^2 \right] \right)^{1/4} \\ &\stackrel{\text{(Lemma B.4)}}{\leq} \left(2n \left(\frac{2}{3} \right)^T \right)^{1/4} \leq \frac{1}{2^c \log n} . \end{aligned}$$

□

B.4 PROOF OF THEOREM 5.7

To prove Theorem 5.7, we first introduce a new ensemble of (infinitely many) unitary operators

$\overline{\text{RSGC}}^n := \left\{ \overline{\text{RSGC}}^{n,\lambda} \right\}_\lambda$ with

$$\overline{\text{RSGC}}^{n,\lambda} := \left\{ \overline{\text{RSGC}}_{(\sigma)_T, (\tilde{f})_T, (\tilde{g})_T, (\tilde{h})_T}^{n,\lambda} : \mathcal{H} \rightarrow \mathcal{H} \right\}_{(\sigma)_T \in S_{2^n}, (\tilde{f})_T, (\tilde{g})_T, (\tilde{h})_T : \{0,1\}^{n-1} \rightarrow [0,1]}$$

and

$$\overline{\text{RSGC}}_{(\sigma)_T, (\tilde{f})_T, (\tilde{g})_T, (\tilde{h})_T}^{n,\lambda} = \tilde{L}_{\tau_T, \tilde{f}_T, \tilde{g}_T, \tilde{h}_T} \cdots \tilde{L}_{\tau_2, \tilde{f}_2, \tilde{g}_2, \tilde{h}_2} \tilde{L}_{\tau_1, \tilde{f}_1, \tilde{g}_1, \tilde{h}_1}$$

where $\tilde{L}_{\sigma, \tilde{f}, \tilde{g}, \tilde{h}} = U_{\sigma^{-1}} \tilde{Q}_{\tilde{f}, \tilde{g}, \tilde{h}} U_\sigma$ and $\tilde{Q}_{\tilde{f}, \tilde{g}, \tilde{h}}$ is defined to be

$$\tilde{Q}_{\tilde{f}, \tilde{g}, \tilde{h}} = \sum_{y \in \{0,1\}^{n-1}} U(\tilde{\alpha}_y, \tilde{\beta}_y, \tilde{\theta}_y) \otimes |y\rangle\langle y| , \quad (44)$$

in which $U(\alpha, \beta, \theta)$ is defined in (10) and for any $y \in \{0,1\}^{n-1}$

$$\tilde{\theta}_y = \arcsin \left(\sqrt{\tilde{f}(y)} \right) , \quad \tilde{\alpha}_y = 2\pi \cdot \tilde{g}(y) , \quad \tilde{\beta}_y = 2\pi \cdot \tilde{h}(y) .$$

Similar to the real case, $\tilde{L}_{\sigma, \tilde{f}, \tilde{g}, \tilde{h}}$ represents one step of parallel Kac's walk in complex space for independently and uniformly random $\sigma, \tilde{f}, \tilde{g}$ and \tilde{h} .

Lemma B.5. *Let $\sigma \in S_{2^n}$ and $\tilde{f}, \tilde{g}, \tilde{h} : \{0,1\}^{n-1} \rightarrow [0,1]$. Let $f : \{0,1\}^{n-1} \rightarrow \{0,1\}^d$ be the function satisfying for any $y \in \{0,1\}^{n-1}$, $f(y)$ is the d digits after the binary point in $\tilde{f}(y)$. The same applies to g and h . Then*

$$\left\| L_{\sigma, f, g, h} - \tilde{L}_{\sigma, \tilde{f}, \tilde{g}, \tilde{h}} \right\|_\infty \leq 2^{6 - \frac{d}{2}} ,$$

where $L_{\sigma, f, g, h} = U_{\sigma^{-1}} Q_{f, g, h} U_\sigma$ is defined in (17) and $\tilde{L}_{\sigma, \tilde{f}, \tilde{g}, \tilde{h}} = U_{\sigma^{-1}} \tilde{Q}_{\tilde{f}, \tilde{g}, \tilde{h}} U_\sigma$ is defined in (44).

Proof of Lemma B.5. Recall the unitary $\hat{L}_{\sigma, f, g, h} = U_{\sigma^{-1}} \hat{Q}_{f, g, h} U_\sigma$ defined in (15). We will prove

$$\bullet \left\| L_{\sigma, f, g, h} - \hat{L}_{\sigma, f, g, h} \right\|_\infty \leq 2^{3-d} \pi .$$

$$\bullet \left\| \widehat{L}_{\sigma, f, g, h} - \widetilde{L}_{\sigma, \widetilde{f}, \widetilde{g}, \widetilde{h}} \right\|_{\infty} \leq 2^{4-\frac{d}{2}} .$$

The claim then follows from the triangle inequality.

Proof of the first bound Fix a $y \in \{0, 1\}^{n-1}$, we have

$$\begin{aligned} & \left\| \begin{pmatrix} \cos(\theta_y) & -\sin(\theta_y) \\ \sin(\theta_y) & \cos(\theta_y) \end{pmatrix} - \begin{pmatrix} \cos\left(\frac{\pi}{2}\xi_y\right) & -\sin\left(\frac{\pi}{2}\xi_y\right) \\ \sin\left(\frac{\pi}{2}\xi_y\right) & \cos\left(\frac{\pi}{2}\xi_y\right) \end{pmatrix} \right\|_{\infty} = 2 \left| \sin\left(\frac{\theta_y - \frac{\pi}{2}\xi_y}{2}\right) \right| \leq \left| \frac{\pi}{2}\xi_y - \theta_y \right| \leq 2^{-d-1}\pi , \\ & \left\| \begin{pmatrix} e^{i\left(\frac{\alpha_y + \beta_y}{2}\right)} & 0 \\ 0 & e^{-i\left(\frac{\alpha_y + \beta_y}{2}\right)} \end{pmatrix} - \begin{pmatrix} e^{i2\pi\gamma_y^+} & 0 \\ 0 & e^{-i2\pi\gamma_y^+} \end{pmatrix} \right\|_{\infty} \leq \left| 2\pi\gamma_y^+ - \frac{\alpha_y + \beta_y}{2} \right| \leq 2^{1-d}\pi , \\ & \left\| \begin{pmatrix} e^{i\left(\frac{\alpha_y - \beta_y}{2}\right)} & 0 \\ 0 & e^{-i\left(\frac{\alpha_y - \beta_y}{2}\right)} \end{pmatrix} - \begin{pmatrix} e^{i2\pi\gamma_y^-} & 0 \\ 0 & e^{-i2\pi\gamma_y^-} \end{pmatrix} \right\|_{\infty} \leq \left| 2\pi\gamma_y^- - \frac{\alpha_y - \beta_y}{2} \right| \leq 2^{1-d}\pi . \end{aligned}$$

Thus, by the triangle inequality and the decomposition for matrix $U(\alpha, \beta, \theta)$, we have for any $y \in \{0, 1\}^{n-1}$

$$\left\| U(\alpha_y, \beta_y, \theta_y) - U\left(2\pi(\gamma_y^+ + \gamma_y^-), 2\pi(\gamma_y^+ - \gamma_y^-), \frac{\pi}{2}\xi_y\right) \right\|_{\infty} \leq 2^{3-d}\pi .$$

Therefore we have

$$\begin{aligned} \left\| L_{\sigma, f, g, h} - \widehat{L}_{\sigma, f, g, h} \right\|_{\infty} &= \left\| Q_{f, g, h} - \widehat{Q}_{f, g, h} \right\|_{\infty} \\ &= \max_{y \in \{0, 1\}^{n-1}} \left\| U\left(2\pi(\gamma_y^+ + \gamma_y^-), 2\pi(\gamma_y^+ - \gamma_y^-), \frac{\pi}{2}\xi_y\right) - U(\alpha_y, \beta_y, \theta_y) \right\|_{\infty} \\ &\leq 2^{3-d}\pi . \end{aligned}$$

Proof of the second bound Fix a $y \in \{0, 1\}^{n-1}$, we have $|\alpha_y - \widetilde{\alpha}_y| \leq 2^{1-d}\pi$, and $|\beta_y - \widetilde{\beta}_y| \leq 2^{1-d}\pi$. Therefore,

$$\left\| \begin{pmatrix} e^{i\left(\frac{\alpha_y + \beta_y}{2}\right)} & 0 \\ 0 & e^{-i\left(\frac{\alpha_y + \beta_y}{2}\right)} \end{pmatrix} - \begin{pmatrix} e^{i\left(\frac{\widetilde{\alpha}_y + \widetilde{\beta}_y}{2}\right)} & 0 \\ 0 & e^{-i\left(\frac{\widetilde{\alpha}_y + \widetilde{\beta}_y}{2}\right)} \end{pmatrix} \right\|_{\infty} \leq \left| \frac{\alpha_y + \beta_y}{2} - \frac{\widetilde{\alpha}_y + \widetilde{\beta}_y}{2} \right| \leq 2^{1-d}\pi , \quad (45)$$

$$\left\| \begin{pmatrix} e^{i\left(\frac{\alpha_y - \beta_y}{2}\right)} & 0 \\ 0 & e^{-i\left(\frac{\alpha_y - \beta_y}{2}\right)} \end{pmatrix} - \begin{pmatrix} e^{i\left(\frac{\widetilde{\alpha}_y - \widetilde{\beta}_y}{2}\right)} & 0 \\ 0 & e^{-i\left(\frac{\widetilde{\alpha}_y - \widetilde{\beta}_y}{2}\right)} \end{pmatrix} \right\|_{\infty} \leq \left| \frac{\alpha_y - \beta_y}{2} - \frac{\widetilde{\alpha}_y - \widetilde{\beta}_y}{2} \right| \leq 2^{1-d}\pi . \quad (46)$$

Moreover, we have $|\text{val}(f(y)) - \widetilde{f}(y)| \leq 2^{-d}$ and thus

$$\begin{aligned} & \left\| \begin{pmatrix} \cos(\theta_y) & -\sin(\theta_y) \\ \sin(\theta_y) & \cos(\theta_y) \end{pmatrix} - \begin{pmatrix} \cos(\widetilde{\theta}_y) & -\sin(\widetilde{\theta}_y) \\ \sin(\widetilde{\theta}_y) & \cos(\widetilde{\theta}_y) \end{pmatrix} \right\|_{\infty} \\ &= \left\| \begin{pmatrix} \sqrt{1 - \text{val}(f(y))} - \sqrt{1 - \widetilde{f}(y)} & -\sqrt{\text{val}(f(y))} + \sqrt{\widetilde{f}(y)} \\ \sqrt{\text{val}(f(y))} - \sqrt{\widetilde{f}(y)} & \sqrt{1 - \text{val}(f(y))} - \sqrt{1 - \widetilde{f}(y)} \end{pmatrix} \right\|_{\infty} \end{aligned}$$

$$\begin{aligned}
&\leq \left\| \begin{pmatrix} \sqrt{1 - \text{val}(f(y))} - \sqrt{1 - \tilde{f}(y)} & -\sqrt{\text{val}(f(y))} + \sqrt{\tilde{f}(y)} \\ \sqrt{\text{val}(f(y))} - \sqrt{\tilde{f}(y)} & \sqrt{1 - \text{val}(f(y))} - \sqrt{1 - \tilde{f}(y)} \end{pmatrix} \right\|_2 \\
&= \sqrt{2 \left(\sqrt{1 - \text{val}(f(y))} - \sqrt{1 - \tilde{f}(y)} \right)^2 + 2 \left(\sqrt{\text{val}(f(y))} - \sqrt{\tilde{f}(y)} \right)^2} \leq 2^{-\frac{d}{2} + \frac{3}{2}}, \quad (47)
\end{aligned}$$

where the last inequality is by the following fact.

Fact B.6. For $a, b \in [0, 1]$ and $d \in \mathbb{N}$, if $|a - b| \leq 2^{-d}$, then $|\sqrt{a} - \sqrt{b}| \leq 2^{-\frac{d}{2} + \frac{1}{2}}$.

Proof. Let $\delta = 2^{-d+1}$. If $a \leq \delta$ and $b \leq \delta$, we have $|\sqrt{a} - \sqrt{b}| \leq \max\{\sqrt{a}, \sqrt{b}\} \leq \sqrt{\delta} = 2^{-\frac{d}{2} + \frac{1}{2}}$. If $a > \delta$ or $b > \delta$, we will have $a > \delta/2$ and $b > \delta/2$, and therefore

$$|\sqrt{a} - \sqrt{b}| \leq \frac{1}{\sqrt{2\delta}} \cdot |a - b| \leq 2^{-\frac{d}{2} - 1}.$$

□

Hence, we have by (45), (46) and (47), for any $y \in \{0, 1\}^{n-1}$,

$$\left\| U(\alpha_y, \beta_y, \theta_y) - U(\tilde{\alpha}_y, \tilde{\beta}_y, \tilde{\theta}_y) \right\|_\infty \leq 2^{4 - \frac{d}{2}}.$$

Therefore,

$$\begin{aligned}
\left\| \widehat{L}_{\sigma, f, g, h} - \widetilde{L}_{\sigma, \tilde{f}, \tilde{g}, \tilde{h}} \right\|_\infty &= \left\| \widehat{Q}_{f, g, h} - \widetilde{Q}_{\tilde{f}, \tilde{g}, \tilde{h}} \right\|_\infty \\
&= \max_{y \in \{0, 1\}^{n-1}} \left\| U(\alpha_y, \beta_y, \theta_y) - U(\tilde{\alpha}_y, \tilde{\beta}_y, \tilde{\theta}_y) \right\|_\infty \\
&\leq 2^{4 - \frac{d}{2}}.
\end{aligned}$$

□

Proof of Theorem 5.7. It is easy to see that the uniformity condition is satisfied. Let κ denote the key length. Quantum circuit $\text{RSGC}^{n, \lambda}$ applies $\text{RSGC}_{(\sigma)_T, (f)_T, (g)_T, (h)_T}^{n, \lambda}$ after reading $(\sigma)_T, (f)_T, (g)_T$ and $(h)_T$. To implement $\text{RSGC}_{(\sigma)_T, (f)_T, (g)_T, (h)_T}^{n, \lambda}$, we need to realize each of the $T = 10(\lambda + 1)n$ unitary gates L . Since each gate L can be implemented in $\text{poly}(n, \lambda, \kappa)$ time, the total construction time for $\text{RSGC}_{(\sigma)_T, (f)_T, (g)_T, (h)_T}^{n, \lambda}$ is also $\text{poly}(n, \lambda, \kappa)$.

Thus, it suffices to prove the requirement of *Statistical Pseudorandomness* is satisfied. Fix $|\eta\rangle \in \mathcal{S}(\mathcal{H})$. Define three distributions:

- ν be the distribution of $\text{RSGC}_{(\sigma)_T, (f)_T, (g)_T, (h)_T}^{n, \lambda} |\eta\rangle$ with independent and uniformly random permutations $(\sigma)_T \in S_{2^n}$, and random functions $(f)_T, (g)_T, (h)_T : \{0, 1\}^{n-1} \rightarrow \{0, 1\}^d$.
- $\tilde{\nu}$ be the distribution of $\widetilde{\text{RSGC}}_{(\sigma)_T, (\tilde{f})_T, (\tilde{g})_T, (\tilde{h})_T}^{n, \lambda} |\eta\rangle$ with independent and uniformly random permutations $(\sigma)_T \in S_{2^n}$, and random functions $(\tilde{f})_T, (\tilde{g})_T, (\tilde{h})_T : \{0, 1\}^{n-1} \rightarrow [0, 1]$.
- μ be the Haar measure on $\mathcal{S}(\mathcal{H})$.

We first proof the trace distance between ν and $\tilde{\nu}$ is negligible. To this end, we construct a coupling γ_0 of ν and $\tilde{\nu}$ by using the same permutation σ_t and letting f_t be the function satisfying $f_t(y)$ is the d digits after the binary point in $\tilde{f}_t(y)$ for all $y \in \{0, 1\}^{n-1}$ (The same applies to g_t and h_t). Therefore, for any $(|\phi\rangle, |\varphi\rangle) \sim \gamma_0$, we have

$$\begin{aligned} \left\| |\phi\rangle - |\varphi\rangle \right\|_2 &= \left\| \text{RSGC}_{(\sigma)_T, (f)_T, (g)_T, (h)_T}^{n, \lambda} |\eta\rangle - \widetilde{\text{RSGC}}_{(\sigma)_T, (\tilde{f})_T, (\tilde{g})_T, (\tilde{h})_T}^{n, \lambda} |\eta\rangle \right\|_2 \\ &\leq \left\| \text{RSGC}_{(\sigma)_T, (f)_T, (g)_T, (h)_T}^{n, \lambda} - \widetilde{\text{RSGC}}_{(\sigma)_T, (\tilde{f})_T, (\tilde{g})_T, (\tilde{h})_T}^{n, \lambda} \right\|_\infty \\ &\leq 2^{6-\frac{d}{2}} T = \frac{640(\lambda+1)n}{\lambda^{\log \lambda} \cdot n^{\log n}}, \end{aligned}$$

where the last inequality is from [Fact 2.1](#) and [Lemma B.5](#). Thus, for any $l \in \text{poly}(\lambda, n)$

$$\begin{aligned} &\left\| \mathbb{E}_{|\phi\rangle \sim \nu} [(|\phi\rangle\langle\phi|)^{\otimes l}] - \mathbb{E}_{|\varphi\rangle \sim \tilde{\nu}} [(|\varphi\rangle\langle\varphi|)^{\otimes l}] \right\|_1 \\ &\leq \mathbb{E}_{(|\phi\rangle, |\varphi\rangle) \sim \gamma_0} \left[\left\| (|\phi\rangle\langle\phi|)^{\otimes l} - (|\varphi\rangle\langle\varphi|)^{\otimes l} \right\|_1 \right] \\ &\leq l \mathbb{E}_{(|\phi\rangle, |\varphi\rangle) \sim \gamma_0} \left[\left\| |\phi\rangle\langle\phi| - |\varphi\rangle\langle\varphi| \right\|_1 \right] \\ &\leq l \left(\mathbb{E}_{(|\phi\rangle, |\varphi\rangle) \sim \gamma_0} \left[\left\| |\phi\rangle - |\varphi\rangle \right\|_1 \right] + \mathbb{E}_{(|\phi\rangle, |\varphi\rangle) \sim \gamma_0} \left[\left\| (|\phi\rangle - |\varphi\rangle) \langle\varphi| \right\|_1 \right] \right) \\ &\leq 2l \mathbb{E}_{(|\phi\rangle, |\varphi\rangle) \sim \gamma_0} \left[\left\| |\phi\rangle - |\varphi\rangle \right\|_2 \right] \leq \frac{1280(\lambda+1)nl}{\lambda^{\log \lambda} \cdot n^{\log n}}. \end{aligned} \quad (48)$$

As for the trace distance between $\tilde{\nu}$ and μ , note that $\tilde{\nu}$ is the output distribution of T -step parallel Kac's walk. Thus by [Theorem 4.8](#), we have

$$W_1(\tilde{\nu}, \mu) \leq \frac{1}{2^{\lambda n}}.$$

So there exists a coupling of $\tilde{\nu}$ and μ , denoted by γ_1 , that achieves

$$\mathbb{E}_{(|\varphi\rangle, |\psi\rangle) \sim \gamma_1} \left[\left\| |\varphi\rangle - |\psi\rangle \right\|_2 \right] \leq \frac{3}{2^{\lambda n}}.$$

Therefore, similar to Eq. (48), we have for any $l \in \text{poly}(\lambda, n)$

$$\left\| \mathbb{E}_{|\varphi\rangle \sim \tilde{\nu}} [(|\varphi\rangle\langle\varphi|)^{\otimes l}] - \mathbb{E}_{|\psi\rangle \sim \mu} [(|\psi\rangle\langle\psi|)^{\otimes l}] \right\|_1 \leq 2l \mathbb{E}_{(|\varphi\rangle, |\psi\rangle) \sim \gamma_1} \left[\left\| |\varphi\rangle - |\psi\rangle \right\|_2 \right] \leq \frac{6l}{2^{\lambda n}}. \quad (49)$$

Finally, by the triangle inequality, Eqs. (48) and (49), we have

$$\left\| \mathbb{E}_{|\phi\rangle \sim \nu} [(|\phi\rangle\langle\phi|)^{\otimes l}] - \mathbb{E}_{|\psi\rangle \sim \mu} [(|\psi\rangle\langle\psi|)^{\otimes l}] \right\|_1 \leq \frac{1280(\lambda+1)nl}{\lambda^{\log \lambda} \cdot n^{\log n}} + \frac{6l}{2^{\lambda n}} = \text{negl}(\lambda).$$

This establishes the *Statistical Pseudorandomness* property. □

B.5 PROOF OF [THEOREM 5.9](#)

Proof of [Theorem 5.9](#). The key length is bounded by $4T \cdot \text{poly}(n, d) = \text{poly}(n, \lambda)$ since τ and F are efficient. Thus the condition of polynomial-bounded key length is satisfied. To implement $\text{SGC}_k^{n, \lambda}$, we need to realize each of the $T = 10(\lambda+1)n$ unitary gates L that compose $\text{SGC}_k^{n, \lambda}$. Since

each gate L can be implemented in $\text{poly}(n, \lambda)$ time due to the efficiency of τ and F , the total construction time for $\text{SGC}_k^{n, \lambda}$ is also $\text{poly}(n, \lambda)$. Thus the uniformity is also satisfied.

We now prove the pseudorandomness property. To this end, we consider three hybrids for an arbitrary $|\phi\rangle \in \mathcal{S}(\mathcal{H})$ and $l \in \text{poly}(\lambda, n)$:

H1: $|\phi_k\rangle^{\otimes l}$ for $|\phi_k\rangle = \text{SGC}_k^{n, \lambda}|\phi\rangle$ where $k \leftarrow (\mathcal{K}_1 \times \mathcal{K}_2 \times \mathcal{K}_2 \times \mathcal{K}_2)^T$ is chosen uniformly at random.

H2: $|\varphi_{(\sigma)_T, (f)_T, (g)_T, (h)_T}\rangle^{\otimes l}$ for $|\varphi_{(\sigma)_T, (f)_T, (g)_T, (h)_T}\rangle = \text{RSGC}_{(\sigma)_T, (f)_T, (g)_T, (h)_T}^{n, \lambda}|\phi\rangle$ with independent and uniformly random permutations $(\sigma)_T \in S_{2^n}$ and random functions $(f)_T, (g)_T, (h)_T : \{0, 1\}^{n-1} \rightarrow \{0, 1\}^d$. $\text{RSGC}_{(\sigma)_T, (f)_T, (g)_T, (h)_T}^{n, \lambda}$ is defined in [Definition 5.6](#).

H3: $|\psi\rangle^{\otimes l}$ for $|\psi\rangle$ chosen according to the Haar measure μ on $\mathcal{S}(\mathcal{H})$.

We first prove that [H1](#) and [H2](#) are computationally indistinguishable. By the quantum-secure property of τ and F , we know the following two situations are computationally indistinguishable for any polynomial-time quantum oracle algorithm \mathcal{A} (see [Lemma 2.9](#)):

- given oracle access to $\tau_{r_1}, \dots, \tau_{r_T}$ and $F_{u_1}, \dots, F_{u_T}, F_{s_1}, \dots, F_{s_T}, F_{t_1}, \dots, F_{t_T}$ where $(r)_T \in \mathcal{K}_1$ and $(u)_T, (s)_T, (t)_T \in \mathcal{K}_2$ are independent and uniformly random keys.
- given oracle access to independent and uniformly random permutations $(\sigma)_T \in S_{2^n}$ and random functions $(f)_T, (g)_T, (h)_T : \{0, 1\}^{n-1} \rightarrow \{0, 1\}^d$.

Thus, we have for any polynomial-time quantum algorithm \mathcal{A} ,

$$\left| \Pr \left[\mathcal{A} \left(|\phi_k\rangle^{\otimes l} \right) = 1 \right] - \Pr \left[\mathcal{A} \left(|\varphi_{(\sigma)_T, (f)_T, (g)_T, (h)_T}\rangle^{\otimes l} \right) = 1 \right] \right| = \text{negl}(\lambda) \quad .$$

For [H2](#) and [H3](#), they are statistically indistinguishable since RSGC^n defined in [Definition 5.6](#) is an RSS by [Theorem 5.7](#). Finally, by the triangle inequality we establish [H1](#) and [H3](#) are computationally indistinguishable. This accomplishes the proof. \square

B.6 PROOF OF [LEMMA 7.8](#)

Proof of [Lemma 7.8](#). Let graph $G_0 = (V = [n], E_0 = \emptyset)$. We recursively define G_1, \dots, G_l as follows: given $G_i = ([n], E_i)$, choose a perfect matching M_i of $[n]$ uniformly at random, and set

$$G_{i+1} = ([n], E_{i+1} = E_i \cup M_i) \quad .$$

Then

$$\begin{aligned} & \Pr[\mathcal{P}_{T_0, 1} \neq \{[n]\}] \\ &= \Pr[G_l \text{ is disconnected}] \\ &= \Pr[\exists S \subseteq [n] \text{ such that there is no edge between } S \text{ and } [n] \setminus S \text{ in } G_l] \\ &\leq \sum_{i \in [m], i \text{ is even}} \sum_{S \in \binom{[n]}{i}} \Pr[\text{There is no edge between } S \text{ and } [n] \setminus S \text{ in } G_l] \\ &\leq \sum_{i \in [m], i \text{ is even}} \sum_{S \in \binom{[n]}{i}} \left(\frac{\frac{i!}{2^{i/2}(i/2)!} \cdot \frac{(n-i)!}{2^{(n-i)/2}((n-i)/2)!}}{\frac{n!}{2^{n/2}(n/2)!}} \right)^l \end{aligned}$$

$$\begin{aligned}
&= \sum_{i \in [m], i \text{ is even}} \sum_{S \in \binom{[n]}{i}} \left(\frac{(n-i)(n-i-1) \cdots ((n-i)/2+1)}{n(n-1) \cdots ((n+i)/2+1)} \cdot \frac{i(i-1) \cdots (i/2+1)}{((n+i)/2) \cdots (n/2+1)} \right)^l \\
&\leq \sum_{i \in [m], i \text{ is even}} \sum_{S \in \binom{[n]}{i}} \left(\frac{i(i-1) \cdots (i/2+1)}{((n+i)/2) \cdots (n/2+1)} \right)^l \\
&\leq \sum_{i \in [m], i \text{ is even}} \sum_{S \in \binom{[n]}{i}} \left(\frac{2i}{n+i} \right)^{il/2} \\
&\leq \sum_{i \in [m], i \text{ is even}} \binom{n}{i} \left(\frac{2}{3} \right)^{il/2} \leq \left(1 + \left(\frac{2}{3} \right)^{l/2} \right)^n - 1 \leq n \left(\frac{2}{3} \right)^{l/2} \left(1 + \left(\frac{2}{3} \right)^{l/2} \right)^{n-1}.
\end{aligned}$$

When $l = 5(1+c) \log n$ and n is sufficiently large,

$$n \left(\frac{2}{3} \right)^{l/2} \leq n^{-c} \quad \text{and} \quad \left(1 + \left(\frac{2}{3} \right)^{l/2} \right)^{n-1} \leq 2.$$

□

B.7 PROOF OF THEOREM 7.12

To prove [Theorem 7.12](#), we extend the two-stage coupling introduced in real case to complex case. We have introduced the proportional coupling of complex space in [Definition B.1](#). We now extend the the non-Markovian coupling and then prove the mixing time. We assume $n = 2m$.

B.7.1 NON-MARKOVIAN COUPLING

Definition B.7 (Non-Markovian Coupling). *Fix $T_0 \leq T \in \mathbb{N}$. We couple $\{X_t\}_{T_0 \leq t \leq T}$, $\{Y_t\}_{T_0 \leq t \leq T}$ in the following way:*

1. For each $T_0 \leq t < T$, choose a perfect matching $P_t = \left\{ \left(i_1^{(t)}, j_1^{(t)} \right), \dots, \left(i_m^{(t)}, j_m^{(t)} \right) \right\}$ uniformly at random.
2. Set $\mathcal{P}_{T,1} = \{\{1\}, \dots, \{n\}\}$, and define a sequence of partitions $\{\mathcal{P}_{t,k}\}_{T_0 \leq t < T, 1 \leq k \leq m+1}$ of $[n]$ in the same way as [Definition 7.7](#).
3. If $\mathcal{P}_{T_0,1} = \{\{1, \dots, n\}\}$, we couple $\{X_t\}_{T_0 \leq t \leq T}$, $\{Y_t\}_{T_0 \leq t \leq T}$ in the following way:

- Define the set

$$H = \left\{ (t, k) : T_0 \leq t < T, 1 \leq k \leq m, \mathcal{P}_{t,k} \neq \mathcal{P}_{t,k+1} \right\}.$$

- Fix $T_0 \leq t < T$, X_t and Y_t , and we couple X_{t+1} and Y_{t+1} in the following way:

(a) Set $X_{t,1} = X_t$ and $Y_{t,1} = Y_t$.

(b) For $1 \leq k \leq m$,

- i. If $(t, k) \notin H$, we obtained $X_{t,k+1}$ and $Y_{t,k+1}$ in the same way as the proportional coupling defined in [Definition B.1](#).

ii. If $(t, k) \in H$, let

$$l_k^{(t)} = \sqrt{|X_{t,k}[i_k^{(t)}]|^2 + |X_{t,k}[j_k^{(t)}]|^2}$$

and

$$l'_k{}^{(t)} = \sqrt{|Y_{t,k}[i_k^{(t)}]|^2 + |Y_{t,k}[j_k^{(t)}]|^2}.$$

Let U_0 and U'_0 be the unitary operators which satisfy

$$U_0 \begin{pmatrix} X_{t,k}[i_k^{(t)}] \\ X_{t,k}[j_k^{(t)}] \end{pmatrix} = \begin{pmatrix} l_k^{(t)} \\ 0 \end{pmatrix} \quad \text{and} \quad U'_0 \begin{pmatrix} Y_{t,k}[i_k^{(t)}] \\ Y_{t,k}[j_k^{(t)}] \end{pmatrix} = \begin{pmatrix} l'_k{}^{(t)} \\ 0 \end{pmatrix}.$$

Then we choose the best distribution ν among all joint distributions on $[0, 1) \times [0, 1)$ with both marginal distributions uniformly distributed on $[0, 1)$ which maximizes the probability of the following events when $(\zeta, \zeta') \sim \nu$ and α, β are uniformly sample from $[0, 2\pi)$:

$$\sum_{i \in S_r(t, k+1)} |X_{t, k+1}[i]|^2 = \sum_{i \in S_r(t, k+1)} |Y_{t, k+1}[i]|^2, \quad 1 \leq r \leq l_{t, k+1}$$

where

$$\begin{aligned} X_{t, k+1} &= G_{\mathbb{C}}\left(i_k^{(t)}, j_k^{(t)}, \alpha, \beta, \arcsin \sqrt{\zeta}, U_0 X_{t, k}\right), \\ Y_{t, k+1} &= G_{\mathbb{C}}\left(i_k^{(t)}, j_k^{(t)}, \alpha, \beta, \arcsin \sqrt{\zeta'}, U'_0 Y_{t, k}\right). \end{aligned}$$

Then choose $(\zeta_k^{(t)}, \zeta'_k{}^{(t)}) \sim \nu$ and $\alpha_k^{(t)}, \beta_k^{(t)}$ uniformly from $[0, 2\pi)$, and set

$$\begin{aligned} X_{t, k+1} &= G_{\mathbb{C}}\left(i_k^{(t)}, j_k^{(t)}, \alpha_k^{(t)}, \beta_k^{(t)}, \arcsin \sqrt{\zeta_k^{(t)}}, U_0 X_{t, k}\right), \\ Y_{t, k+1} &= G_{\mathbb{C}}\left(i_k^{(t)}, j_k^{(t)}, \alpha_k^{(t)}, \beta_k^{(t)}, \arcsin \sqrt{\zeta'_k{}^{(t)}}, U'_0 Y_{t, k}\right). \end{aligned}$$

(c) Set $X_{t+1} = X_{t, m+1}$ and $Y_{t+1} = Y_{t, m+1}$.

4. If $\mathcal{P}_{T_0, 1} \neq \{\{1, \dots, n\}\}$, for $T_0 \leq t \leq T$, we couple X_{t+1} and Y_{t+1} in the following way: choose $2m$ independent angles

$$\alpha_1^{(t)}, \dots, \alpha_m^{(t)}, \beta_1^{(t)}, \dots, \beta_m^{(t)} \in [0, 2\pi)$$

uniformly at random. Additionally, m independent real numbers $\zeta_1^{(t)}, \dots, \zeta_m^{(t)} \in [0, 1)$ are selected uniformly at random and compute

$$\theta_k^{(t)} = \arcsin \left(\sqrt{\zeta_k^{(t)}} \right)$$

for all $k \in \{1, \dots, m\}$. We set

$$\begin{aligned} X_{t+1} &= F_{\mathbb{C}}\left(P_t, \left\{\alpha_k^{(t)}\right\}_{k=1}^m, \left\{\beta_k^{(t)}\right\}_{k=1}^m, \left\{\theta_k^{(t)}\right\}_{k=1}^m, X_t\right), \\ Y_{t+1} &= F_{\mathbb{C}}\left(P_t, \left\{\alpha_k^{(t)}\right\}_{k=1}^m, \left\{\beta_k^{(t)}\right\}_{k=1}^m, \left\{\theta_k^{(t)}\right\}_{k=1}^m, Y_t\right). \end{aligned}$$

For $T_0 \leq t \leq T$, $1 \leq k \leq m+1$ and $1 \leq i \leq n$ we define

$$A_{t, k}[i] = |X_{t, k}[i]|^2, \quad B_{t, k}[i] = |Y_{t, k}[i]|^2,$$

and define the event $\mathcal{A}(t, k)$ by

$$\mathcal{A}(t, k) = \{\text{Eq. (50) are satisfied for all } (t', k') \sqsubseteq (t, k) \text{ such that } T_0 \leq t' \leq t\}.$$

$$\sum_{i \in \mathcal{S}_r(t', k')} A_{t', k'}[i] = \sum_{i \in \mathcal{S}_r(t', k')} B_{t', k'}[i], \quad 1 \leq r \leq l_{t', k'}. \quad (50)$$

Similarly, we have the following two lemmas as [Lemma 7.10](#) and [Lemma 7.11](#) before.

Lemma B.8. Fix $T_0 < T$ and two chains $\{X_t\}_{T_0 \leq t \leq T}, \{Y_t\}_{T_0 \leq t \leq T}$ are coupled using the non-Markovian coupling defined in [Definition B.7](#). Fix $T_0 \leq t \leq T$ and $1 \leq k \leq m + 1$. Then, on the event $\mathcal{A}(t, k) \cap \{\mathcal{P}_{T_0, 1} = \{1, \dots, n\}\}$, we have

$$\|A_{t', k'} - B_{t', k'}\|_{1, S} \leq \|A_{T_0} - B_{T_0}\|_1$$

for all $(t', k') \sqsubseteq (t, k)$ such that $T_0 \leq t' \leq t$ and $S \in \mathcal{P}_{t', k'}$. Moreover, for all $(t', k') \sqsubseteq (t, k)$ such that $T_0 \leq t' \leq t$,

$$\|A_{t', k'} - B_{t', k'}\|_1 \leq n \|A_{T_0} - B_{T_0}\|_1.$$

The proof of above lemma is the same as Lemma 4.4 in [\[PS17\]](#).

Lemma B.9. Fix positive reals $1 < p < q$. Let $\zeta, \zeta' \sim \text{Unif}[0, 1)$ and let

$$S = A + B\zeta \quad \text{and} \quad S' = C + D\zeta'$$

for some $0 \leq A, B, C, D \leq 1$ that satisfy

$$|A - C|, |B - D| \leq n^{-q} \quad \text{and} \quad B, D \geq n^{-p}.$$

Then for sufficiently large n , there exists a coupling of ζ, ζ' so that

$$\Pr[S = S'] \geq 1 - 3n^{-(q-p)}.$$

Proof. Without loss of generality, we assume $B \geq D$. The total variation distance between S and S' is

$$\begin{aligned} \|S - S'\|_{\text{TV}} &\leq 1 - \int_{(A, A+B) \cap (C, C+D)} \frac{1}{B} dx \\ &\leq 1 - \int_{A+n^{-q}}^{A+B-2n^{-q}} \frac{1}{B} dx \\ &= 1 - (B - 3n^{-q}) \frac{1}{B} \\ &= \frac{3n^{-q}}{B} \leq 3n^{-(q-p)}. \end{aligned}$$

This implicitly defines a coupling of ζ, ζ' that satisfies $\Pr[S = S'] \geq 1 - 3n^{-(q-p)}$. \square

B.7.2 PROOF OF [THEOREM 7.12](#)

Let $a = 30$, $b = 24$, $T_0 = 500 \log n$, $T_1 = 15 \log n$, $T = T_0 + T_1 = 515 \log n$. We construct a coupling of two copies $\{X_t\}_{t \geq 0}, \{Y_t\}_{t \geq 0}$ with starting point $X_0 \in \mathcal{S}_{\mathbb{C}}^n$ and $Y_0 \sim \mu_{\mathbb{C}}$. The coupling is as follows:

1. Couple $\{X_t\}_{0 \leq t \leq T_0}, \{Y_t\}_{0 \leq t \leq T_0}$ by using the proportional coupling defined in [Definition B.1](#).
2. Couple $\{X_t\}_{T_0 \leq t \leq T}, \{Y_t\}_{T_0 \leq t \leq T}$ by using the non-markovian coupling defined in [Definition B.7](#).

Define the event

$$\begin{aligned}\mathcal{E}_1 &= \{\|A_{T_0} - B_{T_0}\|_1 \geq n^{-a}\} \text{ ,} \\ \mathcal{E}_2 &= \{\mathcal{P}_{T_0,1} \neq \{\{1, \dots, n\}\}\} \text{ ,} \\ \mathcal{E}_3 &= \{X_T \neq Y_T\} \text{ .}\end{aligned}$$

By [Lemma 2.3](#),

$$\begin{aligned}\sup_{X_0 \in \mathcal{S}_{\mathbb{C}}^n} \|\mathcal{L}(X_T) - \mu_{\mathbb{C}}\|_{\text{TV}} &\leq \sup_{X_0 \in \mathcal{S}_{\mathbb{C}}^n} \Pr[\mathcal{E}_3] \\ &\leq \sup_{X_0 \in \mathcal{S}_{\mathbb{C}}^n} (\Pr[\mathcal{E}_1] + \Pr[\mathcal{E}_2] + \Pr[\mathcal{E}_3 \cap \mathcal{E}_1^c \cap \mathcal{E}_2^c]) \text{ .}\end{aligned}\quad (51)$$

By [Lemma B.4](#) and Markov's inequality, we have

$$\begin{aligned}\Pr[\mathcal{E}_1] &= \Pr[\|A_{T_0} - B_{T_0}\|_1 \geq n^{-a}] \\ &\leq \Pr[\|A_{T_0} - B_{T_0}\|_2 \geq n^{-a-1/2}] \\ &\leq n^{2a+1} \cdot 2 \cdot \left(\frac{2}{3}\right)^{T_0} \leq \frac{1}{n^2} \text{ .}\end{aligned}\quad (52)$$

Moreover, by [Lemma 7.8](#), we have

$$\Pr[\mathcal{E}_2] \leq 2n^{-2} \text{ .}\quad (53)$$

In order to bound $\Pr[\mathcal{E}_3 \cap \mathcal{E}_1^c \cap \mathcal{E}_2^c]$, recall the definition of $\mathcal{A}(t, k)$ in [\(50\)](#). If $\mathcal{A}(T, 1)$ occurs, we have $|X_t[i]| = |Y_t[i]|$ for all $i \in \{1, \dots, n\}$. Meanwhile, our coupling ensures $X_t[i]$ and $Y_t[i]$ have the same argument. This means $\mathcal{A}(T, 1)$ implies \mathcal{E}_3^c . As a result, $\mathcal{E}_3 \cap \mathcal{E}_1^c \cap \mathcal{E}_2^c$ implies $\mathcal{A}(T, 1)^c \cap \mathcal{E}_1^c \cap \mathcal{E}_2^c$. So, we have

$$\begin{aligned}\Pr[\mathcal{E}_3 \cap \mathcal{E}_1^c \cap \mathcal{E}_2^c] &\leq \Pr[\mathcal{A}(T, 1)^c \cap \mathcal{E}_1^c \cap \mathcal{E}_2^c] \\ &\leq \sum_{t=T_0}^{T-1} \Pr[\mathcal{A}(t+1, 1)^c \cap \mathcal{A}(t, 1) \cap \mathcal{E}_1^c \cap \mathcal{E}_2^c] + \Pr[\mathcal{A}(T_0, 1)^c \cap \mathcal{E}_1^c \cap \mathcal{E}_2^c] \\ &= \sum_{t=T_0}^{T-1} \Pr[\mathcal{A}(t, m+1)^c \cap \mathcal{A}(t, 1) \cap \mathcal{E}_1^c \cap \mathcal{E}_2^c] + \Pr[\mathcal{A}(T_0, 1)^c \cap \mathcal{E}_1^c \cap \mathcal{E}_2^c] \\ &\leq \sum_{t=T_0}^{T-1} \sum_{k=1}^m \Pr[\mathcal{A}(t, k+1)^c \cap \mathcal{A}(t, k) \cap \mathcal{E}_1^c \cap \mathcal{E}_2^c] + \Pr[\mathcal{A}(T_0, 1)^c \cap \mathcal{E}_1^c \cap \mathcal{E}_2^c] \text{ .}\end{aligned}\quad (54)$$

Notice that if \mathcal{E}_2^c happens, we have

$$\sum_{i \in \{1, \dots, n\}} |X_{T_0,1}[i]|^2 = \sum_{i \in \{1, \dots, n\}} |Y_{T_0,1}[i]|^2 = 1 \text{ .}$$

Therefore,

$$\Pr[\mathcal{A}(T_0, 1)^c \cap \mathcal{E}_1^c \cap \mathcal{E}_2^c] = 0 \text{ .}\quad (55)$$

Combining [\(54\)](#) and [\(55\)](#), we have

$$\Pr[\mathcal{E}_3 \cap \mathcal{E}_1^c \cap \mathcal{E}_2^c] \leq \sum_{t=T_0}^{T-1} \sum_{k=1}^m \Pr[\mathcal{A}(t, k+1)^c \cap \mathcal{A}(t, k) \cap \mathcal{E}_1^c \cap \mathcal{E}_2^c] \text{ .}\quad (56)$$

We are now left to find an upper bound for $\Pr[\mathcal{A}(t, k+1)^c \cap \mathcal{A}(t, k) \cap \mathcal{E}_1^c \cap \mathcal{E}_2^c]$ when $T_0 \leq t \leq T-1$ and $1 \leq k \leq m$. To this end, we define

$$\mathcal{B}(t, k) = \left\{ \min_{(t', k') \sqsubseteq (t, k): t' \leq t} \min_{1 \leq i \leq n} |Y_{t', k'}[i]|^2 \geq (2n)^{-b} \right\} .$$

Note that

$$\begin{aligned} & \Pr[\mathcal{A}(t, k+1)^c \cap \mathcal{A}(t, k) \cap \mathcal{E}_1^c \cap \mathcal{E}_2^c] \\ & \leq \Pr[\mathcal{A}(t, k+1)^c \cap \mathcal{A}(t, k) \cap \mathcal{B}(t, k) \cap \mathcal{E}_1^c \cap \mathcal{E}_2^c] + \Pr[\mathcal{B}(t, k)^c] . \end{aligned} \quad (57)$$

By [Lemma 2.6](#) and a union bound over all (t', k') such that $(t', k') \sqsubseteq (t, k)$ and $t' \leq t$, we have for sufficiently large n ,

$$\Pr[\mathcal{B}(t, k)^c] \leq 15 \cdot 2^{1-\frac{b}{3}} \cdot n^{3-\frac{b}{3}} \log(n) \leq \frac{1}{n^4} . \quad (58)$$

Next, we consider two cases of the term $\Pr[\mathcal{A}(t, k+1)^c \cap \mathcal{A}(t, k) \cap \mathcal{B}(t, k) \cap \mathcal{E}_1^c \cap \mathcal{E}_2^c]$ in (57): $(t, k) \notin H$ and $(t, k) \in H$, where H is defined in [Definition B.7](#). In the case that $(t, k) \notin H$, we have $\mathcal{P}_{t, k} = \mathcal{P}_{t, k+1}$ and we apply the proportional coupling. Thus $\mathcal{A}(t, k)$ implies $\mathcal{A}(t, k+1)$ which means

$$\Pr[\mathcal{A}(t, k+1)^c \cap \mathcal{A}(t, k) \cap \mathcal{B}(t, k) \cap \mathcal{E}_1^c \cap \mathcal{E}_2^c] = 0 . \quad (59)$$

In the other case that $(t, k) \in H$, let

$$\begin{aligned} A &= \sum_{i \in \mathcal{S}_{v_t, k}(t, k+1) \setminus j_k^{(t)}} |X_{t, k}[i]|^2 , & B &= |X_{t, k}[i_k^{(t)}]|^2 + |X_{t, k}[j_k^{(t)}]|^2 , \\ C &= \sum_{i \in \mathcal{S}_{v_t, k}(t, k+1) \setminus j_k^{(t)}} |Y_{t, k}[i]|^2 , & D &= |Y_{t, k}[i_k^{(t)}]|^2 + |Y_{t, k}[j_k^{(t)}]|^2 , \\ S &= A + B\zeta_k^{(t)} , & S' &= C + D\zeta'_k{}^{(t)} . \end{aligned}$$

On the event $\mathcal{A}(t, k) \cap \mathcal{B}(t, k) \cap \mathcal{E}_1^c \cap \mathcal{E}_2^c$, we have by [Lemma 7.10](#)

$$|A - C| \leq \|A_{t, k} - B_{t, k}\|_1 \leq n \|A_{T_0} - B_{T_0}\|_1 \leq n^{1-a} .$$

Similarly,

$$|B - D| \leq \|A_{t, k} - B_{t, k}\|_1 \leq n \|A_{T_0} - B_{T_0}\|_1 \leq n^{1-a} .$$

Moreover, $D \geq n^{-(b+1)}$ and $B \geq D - |B - D| \geq n^{-(b+1)}$ for sufficiently large n . Then apply [Lemma B.9](#) with $p = b+1$, $q = a-1$, we know there exists a distribution ν_0 such that when $(\zeta_k^{(t)}, \zeta'_k{}^{(t)}) \sim \nu_0$, we have

$$\Pr_{(\zeta_k^{(t)}, \zeta'_k{}^{(t)}) \sim \nu_0} [S \neq S' | \mathcal{A}(t, k) \cap \mathcal{B}(t, k) \cap \mathcal{E}_1^c \cap \mathcal{E}_2^c] \leq 3n^{-(a-b-2)} .$$

We choose the best distribution which maximizes the probability of event described in (50), so

$$\begin{aligned} & \Pr[\mathcal{A}(t, k+1)^c \cap \mathcal{A}(t, k) \cap \mathcal{B}(t, k) \cap \mathcal{E}_1^c \cap \mathcal{E}_2^c] \\ & \leq \Pr[\mathcal{A}(t, k+1)^c | \mathcal{A}(t, k) \cap \mathcal{B}(t, k) \cap \mathcal{E}_1^c \cap \mathcal{E}_2^c] \\ & \leq \Pr_{(\zeta_k^{(t)}, \zeta'_k{}^{(t)}) \sim \nu_0} [\mathcal{A}(t, k+1)^c | \mathcal{A}(t, k) \cap \mathcal{B}(t, k) \cap \mathcal{E}_1^c \cap \mathcal{E}_2^c] \end{aligned}$$

$$= \Pr_{(\zeta_k^{(t)}, \zeta'_k{}^{(t)}) \sim \nu_0} [S \neq S' | \mathcal{A}(t, k) \cap \mathcal{B}(t, k) \cap \mathcal{E}_1^c \cap \mathcal{E}_2^c] \leq 3n^{-(a-b-2)} . \quad (60)$$

Combining (56), (57), (59), (60) and (58), we have for sufficiently large n

$$\Pr[\mathcal{E}_3 \cap \mathcal{E}_1^c \cap \mathcal{E}_2^c] \leq \sum_{t=T_0}^{T-1} \sum_{k=1}^m 3n^{-(a-b-2)} + n^{-4} \leq \frac{1}{n^2} . \quad (61)$$

By (51), (52), (53) and (61), we have for sufficiently large n and $T = 515 \log n$

$$\sup_{X_0 \in \mathcal{S}_{\mathbb{C}}^n} \|\mathcal{L}(X_T) - \mu_{\mathbb{C}}\|_{\text{TV}} \leq \frac{1}{2n} .$$

As for $T \geq 515 \log n$, by Lemma 2.4 we have

$$\sup_{X_0 \in \mathcal{S}_{\mathbb{C}}^n} \|\mathcal{L}(X_T) - \mu_{\mathbb{C}}\|_{\text{TV}} \leq 2 \left(\frac{1}{n} \right)^{\lfloor \frac{T}{515 \log n} \rfloor} \leq \frac{1}{2^{(c/515-1) \log n-1}} .$$

B.8 PROOF OF LEMMA 7.15

Proof of Lemma 7.15. To see why $\tilde{\mathcal{N}} = \mathcal{S}_{\mathbb{R}}^{2^n}$, we prove $\mathcal{S}_{\mathbb{R}}^{2^n} \subseteq \tilde{\mathcal{N}}$ since $\tilde{\mathcal{N}} \subseteq \mathcal{S}_{\mathbb{R}}^{2^n}$ is trivial. Given $|\xi\rangle \in \mathcal{S}_{\mathbb{R}}^{2^n}$, we prove $|\xi\rangle \in \tilde{\mathcal{N}}$ by constructing a series of (σ_t, \tilde{f}_t) for $t \leq n$ such that

$$\tilde{K}_{\sigma_n, \tilde{f}_n} \cdots \tilde{K}_{\sigma_1, \tilde{f}_1} |\eta\rangle = |\xi\rangle$$

(we let $\tilde{K}_{\sigma_t, \tilde{f}_t} = \mathbb{1}$ for $t > n$).

The idea is to bisect $\tilde{K}_{\sigma_t, \tilde{f}_t} \cdots \tilde{K}_{\sigma_1, \tilde{f}_1} |\eta\rangle$ and $|\xi\rangle$ accordingly and recursively, always keeping the 2-norm of each part of the two vectors equal.

To illustrate the process in detail, we begin with indexing the entries of a vector in $\mathcal{S}_{\mathbb{R}}^{2^n}$ by a bit string of length n . In step $t \in [n]$, we divide the index set $\{0, 1\}^n$ into 2^t sets based on the first t bits. For $y \in \{0, 1\}^t$, we define S_y to be the set of all elements in $\{0, 1\}^n$ with prefix y . We then split $|\eta\rangle$ and $|\xi\rangle$ into 2^t sub-vectors, according to S_y where $y \in \{0, 1\}^t$. Let L_y be the function from $\mathcal{S}_{\mathbb{R}}^{2^n}$ to \mathbb{R} that gives the length of the sub-vector corresponding to S_y . Let

$$|\eta_0\rangle = |\eta\rangle, \quad |\eta_t\rangle = \tilde{K}_{\sigma_t, \tilde{f}_t} |\eta_{t-1}\rangle \quad \text{for } t \in [n] .$$

Our goal is to construct (σ_t, \tilde{f}_t) at each step $t \in [n]$, such that $L_y(|\eta_t\rangle) = L_y(|\xi\rangle)$ for every $t \in [n-1]$, $y \in \{0, 1\}^t$ and that $|\eta_n\rangle = |\xi\rangle$.

To accomplish this, we first define $\sigma_t \in \mathcal{S}_{2^n}$ to be

$$\sigma_t(x) = \overline{x_t x_1 \dots x_{t-1} x_{t+1} \dots x_n} \quad \text{for all } x \in \{0, 1\}^n .$$

For any $y \in \{0, 1\}^{t-1}$, σ_t matches every index in S_{y0} with another index in S_{y1} that shares a common suffix of length $n-t$.

Next, we move to construct \tilde{f}_t . Define α_y for each $y \in \{0, 1\}^{t-1}$ as

$$\alpha_y = \begin{cases} \arccos \frac{L_{y0}(|\xi\rangle)}{L_y(|\xi\rangle)} & \text{if } L_y(|\xi\rangle) \neq 0 \text{ and } t < n , \\ 0 & \text{if } L_y(|\xi\rangle) = 0 \text{ and } t < n . \end{cases}$$

When $t = n$, we define α_y for $y \in \{0, 1\}^{n-1}$ to be any angle satisfying

$$(|\xi\rangle)_{y0} = L_y(|\xi\rangle) \cos \alpha_y ,$$

$$(|\xi\rangle)_{\overline{y1}} = L_y(|\xi\rangle) \sin \alpha_y .$$

We want to design \widetilde{f}_t which controls the rotation of each index pair to let each pair of indices between $S_{\overline{y0}}$ and $S_{\overline{y1}}$ (induced by σ_t) form an angle α_y with the x -axis in a two-dimensional Cartesian coordinate system. To this end, for each $y \in \{0, 1\}^{t-1}$ and $z \in \{0, 1\}^{n-t}$, we define $\beta_y(z)$ to be any angle satisfying

$$\begin{aligned} (|\eta_{t-1}\rangle)_{\overline{y0z}} &= \sqrt{(|\eta_{t-1}\rangle)_{\overline{y0z}}^2 + (|\eta_{t-1}\rangle)_{\overline{y1z}}^2} \cos \beta_y(z), \\ (|\eta_{t-1}\rangle)_{\overline{y1z}} &= \sqrt{(|\eta_{t-1}\rangle)_{\overline{y0z}}^2 + (|\eta_{t-1}\rangle)_{\overline{y1z}}^2} \sin \beta_y(z), \end{aligned}$$

and we define \widetilde{f}_t to be

$$\widetilde{f}_t(\overline{yz}) = (\alpha_y - \beta_y(z)) / (2\pi)$$

for all $y \in \{0, 1\}^{t-1}$ and $z \in \{0, 1\}^{n-t}$. It can be easily verified that

$$L_y(|\eta_t\rangle) = L_y(|\xi\rangle) \quad \text{for } t \in [n-1] \text{ and } y \in \{0, 1\}^t,$$

and $|\eta_n\rangle = |\xi\rangle$. □

B.9 PROOF OF LEMMA 7.16

Proof of Lemma 7.16. Let $|u\rangle = \widetilde{\text{RSG}}_{(\sigma)_T, (\widetilde{f})_T}^{n, \lambda} |\eta\rangle \in \widetilde{\mathcal{N}}$ for some $(\sigma)_T \in S_{2^n}$ and $(\widetilde{f})_T : \{0, 1\}^{n-1} \rightarrow [0, 1)$. For every $t \in [T]$, we define f_t by letting $f_t(y)$ be the d digits after the binary point in $\widetilde{f}_t(y)$ for all $y \in \{0, 1\}^{n-1}$. It is evident that $|v\rangle = \text{RSG}_{(\sigma)_T, (f)_T}^{n, \lambda} |\eta\rangle \in \mathcal{N}$. And

$$\begin{aligned} \| |u\rangle - |v\rangle \|_2 &= \left\| \widetilde{\text{RSG}}_{(\sigma)_T, (\widetilde{f})_T}^{n, \lambda} |\eta\rangle - \text{RSG}_{(\sigma)_T, (f)_T}^{n, \lambda} |\eta\rangle \right\|_2 \\ &\leq \left\| \widetilde{\text{RSG}}_{(\sigma)_T, (\widetilde{f})_T}^{n, \lambda} - \text{RSG}_{(\sigma)_T, (f)_T}^{n, \lambda} \right\|_\infty \leq 2^{1-d} \pi T = \frac{1030\pi(\lambda+1)n}{\lambda \log \lambda n \log n}, \end{aligned} \quad (62)$$

where the last inequality is from [Fact 2.1](#) and [Lemma 5.3](#). This proves that \mathcal{N} is indeed an ϵ -net for $\widetilde{\mathcal{N}}$ where $\epsilon = \frac{1030\pi(\lambda+1)n}{\lambda \log \lambda n \log n} = \text{negl}(\lambda)$. Combining with [Lemma 7.15](#), we conclude the result. □

B.10 PROOF OF THEOREM 7.18

To prove [Theorem 7.18](#), recall the ensemble of (infinitely many) unitary operators $\widetilde{\text{RSGC}}^n := \left\{ \widetilde{\text{RSGC}}_{\lambda}^{n, \lambda} \right\}$ defined in [Section B.4](#).

Proposition B.10. *For $T = 515(\lambda + 1)n$, the ensemble of unitary operator $\widetilde{\text{RSGC}}^n$ is a CRSS.*

Proof. Note that a uniformly random $\widetilde{\text{RSGC}}_{(\sigma)_T, (\widetilde{f})_T, (\widetilde{g})_T, (\widetilde{h})_T}^{n, \lambda}$ corresponds to a T -step parallel Kac's walk on $\mathcal{S}_{\mathbb{C}}^{2^n}$. The proposition then follows from [Theorem 7.12](#) and the definition of CRSS. □

Let $\eta \in \mathcal{S}(H)$ be an arbitrary state. Denote

$$\mathcal{N} = \left\{ \text{RSGC}_{(\sigma)_T, (f)_T, (g)_T, (h)_T}^{n, \lambda} |\eta\rangle \right\} \quad \text{and} \quad \widetilde{\mathcal{N}} = \left\{ \widetilde{\text{RSGC}}_{(\sigma)_T, (\widetilde{f})_T, (\widetilde{g})_T, (\widetilde{h})_T}^{n, \lambda} |\eta\rangle \right\} .$$

We prove the following two lemmas.

Lemma B.11. $\widetilde{\mathcal{N}} = \mathcal{S}(\mathcal{H})$.

Proof. We prove $\mathcal{S}_{\mathbb{C}}^{2^n} \subseteq \widetilde{\mathcal{N}}$ since $\widetilde{\mathcal{N}} \subseteq \mathcal{S}_{\mathbb{C}}^{2^n}$ is trivial. Given $|\xi\rangle \in \mathcal{S}_{\mathbb{C}}^{2^n}$, we prove $|\xi\rangle \in \widetilde{\mathcal{N}}$ by constructing a series of $(\sigma_t, \widetilde{f}_t, \widetilde{g}_t, \widetilde{h}_t)$ for $t \leq n+1$ such that

$$\widetilde{L}_{\sigma_n, \widetilde{f}_{n+1}, \widetilde{g}_{n+1}, \widetilde{h}_{n+1}} \cdots \widetilde{L}_{\sigma_1, \widetilde{f}_1, \widetilde{g}_1, \widetilde{h}_1} |\eta\rangle = |\xi\rangle$$

(we let $\widetilde{L}_{\sigma_t, \widetilde{f}_t, \widetilde{g}_t, \widetilde{h}_t} = \mathbb{1}$ for $t > n+1$).

The proof idea is similar to Appendix B.8. For any $t \in [n]$ and $y \in \{0, 1\}^t$, we use the definition of S_y , L_y (change the domain to $\mathcal{S}_{\mathbb{C}}^{2^n}$), and $|\eta_t\rangle$ (change $\widetilde{K}_{\sigma_t, \widetilde{f}_t}$ to $\widetilde{L}_{\sigma_t, \widetilde{f}_t, \widetilde{g}_t, \widetilde{h}_t}$) there. Our goal is to construct $(\sigma_t, \widetilde{f}_t, \widetilde{g}_t, \widetilde{h}_t)$ at each step $t \in [n+1]$, such that $L_y(|\eta_t\rangle) = L_y(|\xi\rangle)$ for every $t \in [n-1]$, $y \in \{0, 1\}^t$ and that $|\eta_{n+1}\rangle = |\xi\rangle$. That is, after $n-1$ steps, for every $y \in \{0, 1\}^{n-1}$, the two-dimensional sub-vectors of $|\eta_n\rangle$ and $|\xi\rangle$ induced by S_y have the same length. In the final two steps, we adjust the two sub-vectors to be equal.

For any $t \in [n]$, let σ_t be defined as in Appendix B.8. We now construct $\widetilde{f}_t, \widetilde{g}_t, \widetilde{h}_t$.

For any $t \in [n]$, $y \in \{0, 1\}^{t-1}$, $z \in \{0, 1\}^{n-t}$, suppose that

$$\begin{aligned} (|\eta_{t-1}\rangle)_{y0z} &= e^{i\theta_{y,0,z}^\eta} r_{y,0,z}^\eta & \text{and} & & (|\eta_{t-1}\rangle)_{y1z} &= e^{i\theta_{y,1,z}^\eta} r_{y,1,z}^\eta, \\ (|\xi\rangle)_{y0z} &= e^{i\theta_{y,0,z}^\xi} r_{y,0,z}^\xi & \text{and} & & (|\xi\rangle)_{y1z} &= e^{i\theta_{y,1,z}^\xi} r_{y,1,z}^\xi, \end{aligned}$$

where $\theta_{y,0,z}^\eta, \theta_{y,1,z}^\eta, \theta_{y,0,z}^\xi, \theta_{y,1,z}^\xi \in [0, 2\pi)$, $r_{y,0,z}^\eta, r_{y,1,z}^\eta, r_{y,0,z}^\xi, r_{y,1,z}^\xi \in [0, 1]$.

For $t \in [n-1]$, define

$$\alpha_y = \begin{cases} \arccos \frac{L_{y0}(|\xi\rangle)}{L_y(|\xi\rangle)} & \text{if } L_y(|\xi\rangle) \neq 0, \\ 0 & \text{otherwise.} \end{cases}$$

and

$$\rho_y(z) = \begin{cases} \arccos \frac{r_{y,0,z}^\eta}{\sqrt{(r_{y,0,z}^\eta)^2 + (r_{y,1,z}^\eta)^2}} & \text{if } (r_{y,0,z}^\eta)^2 + (r_{y,1,z}^\eta)^2 > 0, \\ 0 & \text{otherwise.} \end{cases}$$

We then define $\widetilde{f}_t, \widetilde{g}_t, \widetilde{h}_t$ to be

$$\begin{aligned} \widetilde{f}_t(\overline{yz}) &= \sin^2(\alpha_y - \rho_y(z)), \\ \widetilde{g}_t(\overline{yz}) &= \theta_{y,1,z}^\eta / (2\pi), \\ \widetilde{h}_t(\overline{yz}) &= \theta_{y,0,z}^\eta / (2\pi), \end{aligned}$$

for all $y \in \{0, 1\}^{t-1}$ and $z \in \{0, 1\}^{n-t}$. It can be easily verified that

$$L_y(|\eta_t\rangle) = L_y(|\xi\rangle) \quad \text{for } t \in [n-1] \text{ and } y \in \{0, 1\}^t.$$

For $t = n$, we set the second entry of the sub-vector of $|\eta_{n-1}\rangle$ induced by S_y to zero for all $y \in \{0, 1\}^{n-1}$. That is, define

$$\begin{aligned} \widetilde{f}_n(y) &= \begin{cases} \frac{(r_{y,1}^\eta)^2}{(r_{y,0}^\eta)^2 + (r_{y,1}^\eta)^2} & \text{if } (r_{y,0}^\eta)^2 + (r_{y,1}^\eta)^2 > 0, \\ 0 & \text{otherwise,} \end{cases} \\ \widetilde{g}_n(y) &= -\theta_{y,0}^\eta / (2\pi), \end{aligned}$$

$$\tilde{h}_n(y) = \left(\pi - \theta_{y,1}^n \right) / (2\pi),$$

for all $y \in \{0, 1\}^{n-1}$. We then have

$$L_y(|\eta_n\rangle) = L_y(|\eta_{n-1}\rangle) = L_y(|\xi\rangle) \text{ for all } y \in \{0, 1\}^{n-1}.$$

For the final step, we let $\sigma_{n+1} = \sigma_n$, and define

$$\tilde{f}_{n+1}(y) = \begin{cases} \frac{\left(r_{y,1}^\xi\right)^2}{\left(r_{y,0}^\xi\right)^2 + \left(r_{y,1}^\xi\right)^2} & \text{if } \left(r_{y,0}^\xi\right)^2 + \left(r_{y,1}^\xi\right)^2 > 0, \\ 0 & \text{otherwise,} \end{cases}$$

$$\tilde{g}_{n+1}(y) = \theta_{y,0}^\xi / (2\pi),$$

$$\tilde{h}_{n+1}(y) = -\theta_{y,1}^\xi / (2\pi),$$

for all $y \in \{0, 1\}^{n-1}$. It can be easily verified that $|\eta_{n+1}\rangle = |\xi\rangle$. \square

Lemma B.12. *There exists an $\epsilon = \text{negl}(\lambda)$ such that \mathcal{N} is an ϵ -net for $\mathcal{S}(\mathcal{H})$.*

Proof. By Lemma B.11, it suffices to prove that there exists an $\epsilon = \text{negl}(\lambda)$ such that \mathcal{N} is an ϵ -net for $\tilde{\mathcal{N}}$.

Let $|u\rangle = \widetilde{\text{RSGC}}_{(\sigma)_T, (\tilde{f})_T, (\tilde{g})_T, (\tilde{h})_T}^{n, \lambda} |\eta\rangle \in \tilde{\mathcal{N}}$ for some $(\sigma)_T \in S_{2^n}$ and $(\tilde{f})_T, (\tilde{g})_T, (\tilde{h})_T : \{0, 1\}^{n-1} \rightarrow [0, 1]$. For every $t \in [T]$, we define f_t by letting $f_t(y)$ be the d digits after the binary point in $\tilde{f}_t(y)$ for all $y \in \{0, 1\}^{n-1}$. We define g_t and h_t for $t \in [T]$ in the same way. It is evident that $|v\rangle = \text{RSGC}_{(\sigma)_T, (f)_T, (g)_T, (h)_T}^{n, \lambda} |\eta\rangle \in \mathcal{N}$. And

$$\begin{aligned} \| |u\rangle - |v\rangle \|_2 &= \left\| \text{RSGC}_{(\sigma)_T, (f)_T, (g)_T, (h)_T}^{n, \lambda} |\eta\rangle - \widetilde{\text{RSGC}}_{(\sigma)_T, (\tilde{f})_T, (\tilde{g})_T, (\tilde{h})_T}^{n, \lambda} |\eta\rangle \right\|_2 \\ &\leq \left\| \text{RSGC}_{(\sigma)_T, (f)_T, (g)_T, (h)_T}^{n, \lambda} - \widetilde{\text{RSGC}}_{(\sigma)_T, (\tilde{f})_T, (\tilde{g})_T, (\tilde{h})_T}^{n, \lambda} \right\|_\infty \\ &\leq 2^{6-\frac{d}{2}} T = \frac{32960(\lambda+1)n}{\lambda \log \lambda n^{\log n}}, \end{aligned} \quad (63)$$

where the last inequality is from Fact 2.1 and Lemma B.5. This proves that \mathcal{N} is indeed an ϵ -net for $\tilde{\mathcal{N}}$ where $\epsilon = \frac{32960(\lambda+1)n}{\lambda \log \lambda n^{\log n}} = \text{negl}(\lambda)$. \square

Proof of Theorem 7.18. It is easy to see that the uniformity condition is satisfied. Let κ denote the key length. Quantum circuit $\text{RSGC}_{(\sigma)_T, (f)_T, (g)_T, (h)_T}^{n, \lambda}$ applies $\text{RSGC}_{(\sigma)_T, (f)_T, (g)_T, (h)_T}^{n, \lambda}$ after reading $(\sigma)_T, (f)_T, (g)_T$ and $(h)_T$. To implement $\text{RSGC}_{(\sigma)_T, (f)_T, (g)_T, (h)_T}^{n, \lambda}$, we need to realize each of the $T = 515(\lambda+1)n$ unitary gates L . Since each gate L can be implemented in $\text{poly}(n, \lambda, \kappa)$ time, the total construction time for $\text{RSGC}_{(\sigma)_T, (f)_T, (g)_T, (h)_T}^{n, \lambda}$ is also $\text{poly}(n, \lambda, \kappa)$.

In conjunction with Lemma B.12, it suffices to prove the existence of a good distribution $\tilde{\nu}$ meeting the requirement in Definition 7.1. Fix $|\eta\rangle \in \mathcal{S}(\mathcal{H})$. Define three distributions:

- ν be the distribution of $\text{RSGC}_{(\sigma)_T, (f)_T, (g)_T, (h)_T}^{n, \lambda} |\eta\rangle$ with independent and uniformly random permutations $(\sigma)_T \in S_{2^n}$, and random functions $(f)_T, (g)_T, (h)_T : \{0, 1\}^{n-1} \rightarrow \{0, 1\}^d$.

- $\tilde{\nu}$ be the distribution of $\widetilde{\text{RSGC}}^{n,\lambda}_{(\sigma)_T, (\tilde{f})_T, (\tilde{g})_T, (\tilde{h})_T} |\eta\rangle$ with independent and uniformly random permutations $(\sigma)_T \in S_{2^n}$, and random functions $(\tilde{f})_T, (\tilde{g})_T, (\tilde{h})_T : \{0, 1\}^{n-1} \rightarrow [0, 1]$.
- μ be the Haar measure on $\mathcal{S}(\mathcal{H})$.

Note that $\tilde{\nu}$ is the output distribution of T -step parallel Kac's walk in $\mathcal{S}_{\mathbb{C}}^{2^n}$. Thus by [Theorem 7.12](#), we have

$$\|\tilde{\nu} - \mu\|_{\text{TV}} \leq \frac{1}{2^{\lambda n - 1}} = \text{negl}(\lambda) \quad . \quad (64)$$

We are left to show the Wasserstein ∞ -distance between ν and $\tilde{\nu}$ is negligible. To this end, we construct a coupling γ_0 of ν and $\tilde{\nu}$ by using the same permutation σ_t and letting f_t be the function satisfying $f_t(y)$ is the d digits after the binary point in $\tilde{f}_t(y)$ for all $y \in \{0, 1\}^{n-1}$ (The same applies to g_t and h_t). Therefore

$$\begin{aligned} W_{\infty}(\nu, \tilde{\nu}) &= \lim_{p \rightarrow \infty} \left(\inf_{\gamma \in \Gamma(\nu, \tilde{\nu})} \mathbb{E}_{(|v\rangle, |u\rangle) \sim \gamma} [\| |v\rangle - |u\rangle \|_2^p] \right)^{1/p} \\ &\leq \lim_{p \rightarrow \infty} \left(\mathbb{E}_{(|v\rangle, |u\rangle) \sim \gamma_0} [\| |v\rangle - |u\rangle \|_2^p] \right)^{1/p} \stackrel{(\text{Eq. (63)})}{\leq} \frac{32960(\lambda + 1)n}{\lambda^{\log \lambda} n^{\log n}} = \text{negl}(\lambda) \quad . \quad (65) \end{aligned}$$

Thus we conclude the result. □

REFERENCES

- [AGQY22] Prabhanjan Ananth, Aditya Gulati, Luowen Qian, and Henry Yuen. Pseudorandom (function-like) quantum state generators: New definitions and applications. In *20th Theory of Cryptography Conference – TCC 2022*, pages 237–265. Springer, 2022. [1](#), [2](#), [10](#), [40](#), [42](#)
- [AMR20] Gorjan Alagic, Christian Majenz, and Alexander Russell. Efficient simulation of random states and random unitaries. In *Advances in Cryptology – EUROCRYPT 2020*, pages 759–787. Springer, 2020. [1](#)
- [AQY22] Prabhanjan Ananth, Luowen Qian, and Henry Yuen. Cryptography from pseudorandom quantum states. In *Advances in Cryptology – CRYPTO 2022*, pages 208–236. Springer, 2022. [1](#), [2](#), [10](#), [26](#), [40](#), [42](#)
- [BCHJ⁺21] Fernando G.S.L. Brandão, Wissam Chemissany, Nicholas Hunter-Jones, Richard Kueng, and John Preskill. Models of quantum complexity growth. *PRX Quantum*, 2:030316, Jul 2021. [1](#)
- [BFG⁺22] Adam Bouland, Bill Fefferman, Soumik Ghosh, Umesh Vazirani, and Zixin Zhou. Quantum pseudoentanglement. *arXiv preprint arXiv:2211.00747*, 2022. [1](#)
- [BFV20] Adam Bouland, Bill Fefferman, and Umesh Vazirani. Computational Pseudorandomness, the Wormhole Growth Paradox, and Constraints on the AdS/CFT Duality. In *11th Innovations in Theoretical Computer Science Conference – ITCS 2020*. Schloss Dagstuhl-Leibniz-Zentrum für Informatik, 2020. [1](#)
- [BG22] Anne Broadbent and Alex Bredariol Grilo. QMA-hardness of consistency of local density matrices with applications to quantum zero-knowledge. *SIAM Journal on Computing*, 51(4):1400–1450, 2022. [26](#)
- [BHH16] Fernando G.S.L. Brandão, Aram W. Harrow, and Michał Horodecki. Local random quantum circuits are approximate polynomial-designs. *Communications in Mathematical Physics*, 346:397–434, 2016. [3](#)
- [BJSW20] Anne Broadbent, Zhengfeng Ji, Fang Song, and John Watrous. Zero-knowledge proof systems for QMA. *SIAM Journal on Computing*, 49(2):245–283, 2020. [26](#)
- [Bol01] Béla Bollobás. *Random Graphs*. Cambridge University Press, 2nd edition, 2001. [33](#)
- [BS19] Zvika Brakerski and Omri Shmueli. (Pseudo) random quantum states with binary phase. In *17th Theory of Cryptography Conference – TCC 2019*, pages 229–250. Springer, 2019. [1](#), [8](#)
- [BS20a] Amit Behera and Or Sattath. Almost public quantum coins. *arXiv preprint arXiv:2002.12438*, 2020. [1](#)
- [BS20b] Zvika Brakerski and Omri Shmueli. Scalable pseudorandom quantum states. In *Advances in Cryptology – CRYPTO 2020*, pages 417–440. Springer, 2020. [1](#), [10](#), [40](#)

- [CDSZ22] Sourav Chatterjee, Persi Diaconis, Allan Sly, and Lingfu Zhang. A phase transition for repeated averages. *The Annals of Probability*, 50(1):1 – 17, 2022. 4
- [Col23] Andrea Coladangelo. Quantum trapdoor functions from classical one-way functions. *arXiv preprint arXiv:2302.12821*, 2023. 1
- [DCEL09] Christoph Dankert, Richard Cleve, Joseph Emerson, and Etera Livine. Exact and approximate unitary 2-designs and their application to fidelity estimation. *Physical Review A*, 80(1):012304, 2009. 3
- [DSC00] Persi Diaconis and Laurent Saloff-Coste. Bounds for kac’s master equation. *Communications in Mathematical Physics*, 209:729–755, 2000. 3
- [GJMZ23] Sam Gunn, Nathan Ju, Fermi Ma, and Mark Zhandry. Commitments to quantum states. To appear in STOC 2023, 2023. <https://eprint.iacr.org/2022/1358>. 1, 3, 26, 27
- [Haf22] Jonas Haferkamp. Random quantum circuits are approximate unitary t -designs in depth $O\left(nt^{5+o(1)}\right)$. *Quantum*, 6:795, 2022. 3
- [Has70] W.K. Hastings. Monte Carlo sampling methods using markov chains and their applications. *Biometrika*, 57(1):97–109, 1970. 3
- [HJ17] BOB HOUGH and YUNJIANG JIANG. Cut-off phenomenon in the uniform plane kac walk. *The Annals of Probability*, 45(4):2248–2308, 2017. 3
- [HL09] Aram W Harrow and Richard A Low. Efficient quantum tensor product expanders and k -designs. In *International Workshop on Approximation Algorithms for Combinatorial Optimization – APPROX–RANDOM 2009*, pages 548–561. Springer, 2009. 3
- [HM23] Aram W Harrow and Saeed Mehraban. Approximate unitary t -designs by short random quantum circuits using nearest-neighbor and long-range gates. *Communications in Mathematical Physics*, pages 1–96, 2023. 3
- [Jan03] Élise Janvresse. Bounds on semigroups of random rotations on $so(n)$. *Theory of Probability & Its Applications*, 47(3):526–532, 2003. 3
- [Jia12] Yunjiang Jiang. Total variation bound for Kac’s random walk. *The Annals of Applied Probability*, pages 1712–1727, 2012. 3
- [JLS18] Zhengfeng Ji, Yi-Kai Liu, and Fang Song. Pseudorandom quantum states. In *Advances in Cryptology – CRYPTO 2018*, pages 126–152. Springer, 2018. 1, 8, 40
- [JPS⁺22] Vishesh Jain, Natesh S. Pillai, Ashwin Sah, Mehtaab Sawhney, and Aaron Smith. Fast and memory-optimal dimension reduction using Kac’s walk. *The Annals of Applied Probability*, 32(5):4038 – 4064, 2022. 4
- [Kac56] Mark Kac. Foundations of kinetic theory. In *Third Berkeley symposium on mathematical statistics and probability*, volume 3, pages 171–197, 1956. 2

- [KNR09] Eyal Kaplan, Moni Naor, and Omer Reingold. Derandomized constructions of k -wise (almost) independent permutations. *Algorithmica*, 55(1):113–133, 2009. [43](#)
- [Kre21] William Kretschmer. Quantum Pseudorandomness and Classical Complexity. In *16th Conference on the Theory of Quantum Computation, Communication and Cryptography – TQC 2021*, pages 2:1–2:20. Schloss Dagstuhl – Leibniz-Zentrum für Informatik, 2021. [1](#), [3](#), [10](#)
- [KTP20] Isaac Kim, Eugene Tang, and John Preskill. The ghost in the radiation: Robust encodings of the black hole interior. *Journal of High Energy Physics*, 2020(6):1–65, 2020. [1](#)
- [LPW09] David A. Levin, Yuval Peres, and Elizabeth Wilmer. *Markov chains and mixing times*. American Mathematical Society, 2009. [6](#)
- [MSW22] Ramis Movassagh, Mario Szegedy, and Guanyang Wang. Repeated averages on graphs. *arXiv:2205.04535*, 2022. [4](#)
- [MY22] Tomoyuki Morimae and Takashi Yamakawa. Quantum commitments and signatures without one-way functions. In *Advances in Cryptology – CRYPTO 2022*, pages 269–295. Springer, 2022. [1](#), [26](#)
- [Oli09] Roberto Imbuzeiro Oliveira. On the convergence to equilibrium of Kac’s random walk on matrices. *The Annals of Applied Probability*, 19(3):1200–1231, 2009. [3](#)
- [OSP23] R. O’Donnell, R. Servedio, and P. Paredes. Explicit orthogonal and unitary designs. To appear in FOCS’23, 2023. Author order randomized. [3](#)
- [PS17] Natesh S Pillai and Aaron Smith. Kac’s walk on n -sphere mixes in $n \log n$ steps. *The Annals of Applied Probability*, 27(1):631–650, 2017. [2](#), [6](#), [11](#), [12](#), [29](#), [31](#), [34](#), [54](#)
- [PS18] Natesh S Pillai and Aaron Smith. On the mixing time of Kac’s walk and other high-dimensional gibbs samplers with constraints. *The Annals of Probability*, 46(4):2345–2399, 2018. [3](#)
- [RBKSC04] Joseph M Renes, Robin Blume-Kohout, Andrew J Scott, and Carlton M Caves. Symmetric informationally complete quantum measurements. *Journal of Mathematical Physics*, 45(6):2171–2180, 2004. [3](#)
- [YE23] Lisa Yang and Netta Engelhardt. The complexity of learning (pseudo)random dynamics of black holes and other chaotic systems. *arXiv:2302.11013*, 2023. <https://arxiv.org/abs/2302.11013>. [1](#)
- [Zha15] Mark Zhandry. Secure identity-based encryption in the quantum random oracle model. *International Journal of Quantum Information*, 13(04):1550014, 2015. Preliminary version in IACR CRYPTO 2012. [43](#)
- [Zha16] Mark Zhandry. A note on quantum-secure PRPs. Cryptology ePrint Archive, Paper 2016/1076, 2016. <https://eprint.iacr.org/2016/1076>. [7](#)

- [Zha21] Mark Zhandry. How to construct quantum random functions. *Journal of the ACM (JACM)*, 68(5):1–43, 2021. Preliminary version in FOCS 2012. [2](#), [7](#), [42](#)
- [ZK94] Karol Zyczkowski and Marek Kus. Random unitary matrices. *Journal of Physics A: Mathematical and General*, 27(12):4235, 1994. [16](#)