

# TRNet: Two-level Refinement Network leveraging Speech Enhancement for Noise Robust Speech Emotion Recognition

Chengxin Chen<sup>a,b,\*</sup>, Pengyuan Zhang<sup>a,b</sup>

<sup>a</sup>*Key Laboratory of Speech Acoustics and Content Understanding, Institute of Acoustics, Chinese Academy of Sciences, Beijing, 100190, China*

<sup>b</sup>*College of Electronic, Electrical and Communication Engineering, University of Chinese Academy of Sciences, Beijing, 100094, China*

---

## Abstract

One persistent challenge in Speech Emotion Recognition (SER) is the ubiquitous environmental noise, which frequently results in diminished SER performance in practical use. In this paper, we introduce a Two-level Refinement Network, dubbed TRNet, to address this challenge. Specifically, a pre-trained speech enhancement module is employed for front-end noise reduction and noise level estimation. Later, we utilize clean speech spectrograms and their corresponding deep representations as reference signals to refine the spectrogram distortion and representation shift of enhanced speech during model training. Experimental results validate that the proposed TRNet substantially increases the system's robustness in both matched and unmatched noisy environments, without compromising its performance in clean environments.

*Keywords:* Speech emotion recognition, Noise robustness, Speech enhancement, Feature compensation, Representation calibration

---

## 1. Introduction

Speech emotion recognition (SER) has become a hot topic in the speech processing field due to its wide applications, such as mental health care, personal voice assistants, and user preference analysis [1]. The goal of SER

---

\*Corresponding author

*Email address:* [chenchengxin1120@gmail.com](mailto:chenchengxin1120@gmail.com) (Chengxin Chen)

is to categorize human speech into a predetermined set of discrete emotion labels, and numerous deep learning-based approaches have been proposed to break the upper limit of SER performance [2, 3, 4, 5]. Most of these works focused on SER in a relatively clean and ideal experimental setting. In real-world applications, however, speech signals are frequently contaminated by miscellaneous noises, leading to a prominent drop in SER performance.

To increase the robustness of SER in noisy environments, one strategy involves focusing on feature engineering, exploring the design of feature sets that are insensitive to noise contamination [6, 7, 8]. For example, Leem *et al.* proposed a feature selection framework that automatically assessed the robustness of each acoustic feature against environmental noise [8]. However, directly transferring these methods to current deep learning-based emotion recognition models presents challenges. An alternative approach is to investigate from the model’s perspective, studying the application of data augmentation techniques to expose the model to target noise during training [9, 10]. For instance, Lakomkin *et al.* introduced random background noise addition and simulated reverberation to contaminate clean training data [9], while Tiwari *et al.* utilized parametric generative models to generate noisy data [10]. Nevertheless, these methods may not be sufficiently effective on testing data contaminated with unmatched noise types. Recent research has explored methods that integrate speech enhancement (SE) with SER models [11, 12, 13], aiming to improve the robustness of back-end SER models under noisy environments through noise reduction pre-processing. Although front-end SE modules can improve SER performance to some extent in noisy environments, the enhanced speech signals often exhibit nonlinear distortions such as artifacts in practical applications [11]. Hence, how to make the most of SE modules for noise robust SER needs further investigation.

Motivated by the above observations, this paper proposes TRNet, a Two-level Refinement Network for robust SER in real-world scenarios characterized by uncertain noise. TRNet initially estimates a signal-to-noise ratio (SNR) coefficient based on pairs of noisy and enhanced speech signals, enabling low-level feature compensation and high-level representation calibration. The low-level feature compensation is designed to approximate target speech spectrograms from pairs of noisy and enhanced spectrograms, while the high-level representation calibration is tailored to align the deep representations extracted from both target and approximated spectrograms. Experimental results demonstrate that TRNet can effectively couple SE and SER modules, increasing the system’s robustness in uncertain noisy environments

while maintaining SER performance in clean environments.

## 2. Preliminary

Assuming the observed signal  $\mathbf{x} \in \mathcal{R}^N$  is a mixture of the target speech signal  $\mathbf{x}_s$  and noise signal  $\mathbf{x}_n$ , *i.e.*,  $\mathbf{x} = \mathbf{x}_s + \mathbf{x}_n$ , the objective of SE is to recover  $\mathbf{x}_s$  from  $\mathbf{x}$ . SE serves as an indispensable front-end module in most speech tasks, such as improving the intelligibility of phone conversations [14] and the accuracy of automatic speech recognition [15]. In recent years, deep learning-based SE has become mainstream, with a plethora of high-performance SE algorithms emerging [16, 17, 18]. At higher SNRs, the gains from noise reduction may be overwhelmed by losses due to signal distortion. One strategy to address this issue dynamically adjusts the importance of the front-end SE module based on the estimated SNR [13, 19]. Inspired by the idea of SNR estimation, this paper aims to better couple SE and SER modules from the perspectives of both low-level feature compensation and high-level representation calibration.

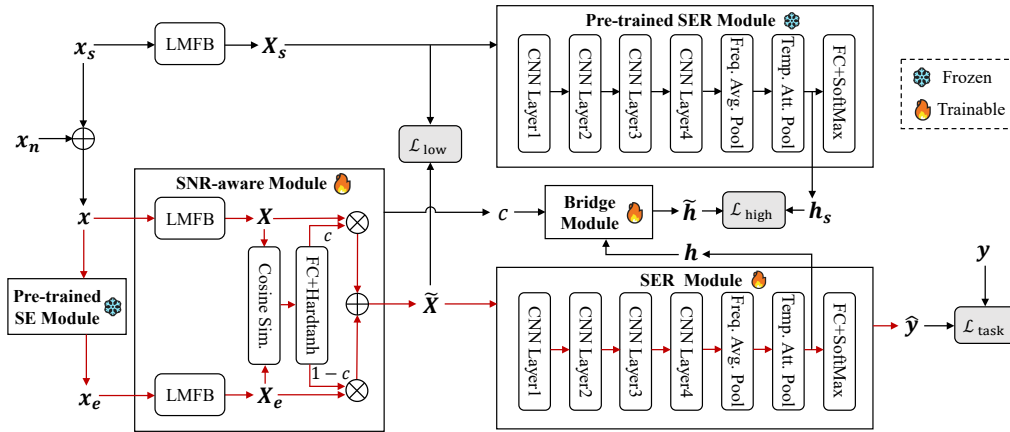


Figure 1: Diagram of our proposed TRNet. The red arrows are activated during both the training and inference phases, while the black arrows are activated only in the training phase.

## 3. Proposed method

As illustrated in Figure 1, the overall workflow of our proposed TRNet comprises five key modules: an SE module, an SNR-aware module, a bridge

module and a pair of SER modules. In the following subsections, we elaborate on the details of each module.

### 3.1. SE module

The SE module employs one of the state-of-the-art architectures, namely the Conformer-based Metric Generative Adversarial Network (CMGAN) [18]. CMGAN was trained on the Voice Bank and DEMAND datasets and the project code along with pre-trained models are openly available <sup>1</sup>. Previous research has indicated that the joint training of both SE and back-end models often leads to further improved performance in downstream tasks [20]. However, during the training process of TRNet, the parameters of CMGAN are fixed for two reasons: (1) Considering real-world applications, SE serves as a general-purpose front-end module that needs to adapt to multiple downstream tasks. Joint training for the specific SER task may potentially impact the generalization of the SE module for other tasks or unmatched noisy environments; (2) Treating the SE module as a fixed-weight “black box” eliminates the need to consider the internal structures of SE models, thus saving computational resources required for training. Note that CMGAN can be replaced by other SE models, such as DCCRN [16] or DPT-FSNet [17].

### 3.2. SNR-aware module

Given an noisy signal  $\mathbf{x}$  and the corresponding enhanced signal  $\mathbf{x}_e$ , the SNR-aware module aims to dynamically adjust the importance of the SE module. Firstly, the Log Mel-scale Filter Bank (LMFB) spectrograms  $\mathbf{X}$  and  $\mathbf{X}_e$  are computed, where  $\mathbf{X}, \mathbf{X}_e \in \mathcal{R}^{T \times F}$ . Intuitively, the difference between  $\mathbf{X}$  and  $\mathbf{X}_e$  increases as the SNR decreases. Hence, we calculate the cosine similarity to measure such difference. Let  $\mathbf{x}_i$  and  $\mathbf{x}_i^e$  be the  $i$ th columns of  $\mathbf{X}$  and  $\mathbf{X}_e$ , we have

$$d_i = \frac{\mathbf{x}_i^\top \mathbf{x}_i^e}{\|\mathbf{x}_i\|_2 \|\mathbf{x}_i^e\|_2}, \quad (1)$$

where  $d_i$  is the  $i$ th element of the similarity vector  $\mathbf{d} \in \mathcal{R}^F$ , and  $\|\cdot\|_2$  is the  $L_2$  norm. Afterwards,  $\mathbf{d}$  is passed through a fully connected (FC) layer and

---

<sup>1</sup><https://github.com/ruizhecao96/CMGAN>

a Hardtanh activation function:

$$\bar{c} = \text{FC}(\mathbf{d}), \quad (2)$$

$$c = \min(\max(0, \bar{c}), 1), \quad (3)$$

where  $c \in [0, 1]$  is an estimated coefficient positively correlated with the SNR. Finally, the compensated feature  $\widetilde{\mathbf{X}}$  is given by

$$\widetilde{\mathbf{X}} = c \cdot \mathbf{X} + (1 - c) \cdot \mathbf{X}_e. \quad (4)$$

At higher SNRs,  $c$  is anticipated to approach 1, indicating that  $\widetilde{\mathbf{X}}$  closely resembles the original input  $\mathbf{X}$ . As the SNR decreases, the noisy signal corresponds to smaller  $c$ , resulting in a higher weight for  $\mathbf{X}_e$ . During model training, the target speech spectrogram  $\mathbf{X}_s$  is utilized to guide the low-level feature compensation, and the loss function can be calculated as

$$\mathcal{L}_{\text{low}} = \left\| \mathbf{X}_s - \widetilde{\mathbf{X}} \right\|_2^2. \quad (5)$$

### 3.3. SER module

The SER module consists two major parts. Firstly, the acoustic encoder is employed to convert  $\widetilde{\mathbf{X}}$  into an utterance-level representation, denoted as  $\mathbf{h}$ . Within this encoder, multiple convolutional layers are initially stacked with residual connections to capture local spectrogram characteristics. Subsequently, an average pooling is conducted along the frequency axis, while an attention pooling [21] is performed along the time axis to aggregate global information. Finally, the classifier is used to project  $\mathbf{h}$  into a predicted emotion label, denoted as  $\hat{y}$ .

As shown in Figure 1, we introduce another identical SER module, which is first pre-trained on the clean emotion dataset and then utilized to extract the utterance-level representation of the target speech, denoted as  $\mathbf{h}_s$ . During model training, the parameters of the pre-trained SER module are fixed.

### 3.4. Bridge module

While  $\widetilde{\mathbf{X}}$  is expected to be closer to  $\mathbf{X}_s$  compared to  $\mathbf{X}_e$ , there still exists a certain level of distortion introduced by the SE module. Generally, such distortion becomes more pronounced with increasing SNRs. In this section, the bridge module is developed to adjust  $\mathbf{h}$  according to different SNRs, aiming to directly align the distributions of  $\mathbf{h}$  and  $\mathbf{h}_s$  in the emotion space.

Inspired by Feature-wise Linear Modulation (FiLM) [22], we adopt the estimated SNR coefficient  $c$  as a constraint to perform an affine transformation on  $\mathbf{h}$ :

$$\tilde{\mathbf{h}} = \text{FC}_1(c) \cdot \mathbf{h} + \text{FC}_2(c), \quad (6)$$

where  $\tilde{\mathbf{h}}$  represents the calibrated representation, while  $\text{FC}_1$  and  $\text{FC}_2$  denote different fully connected layers. Therefore, the loss function for the high-level representation calibration can be calculated as

$$\mathcal{L}_{\text{high}} = \left\| \mathbf{h}_s - \tilde{\mathbf{h}} \right\|_2^2. \quad (7)$$

### 3.5. Training objectives

The main task of emotion recognition adopts standard cross-entropy loss function, denoted as  $\mathcal{L}_{\text{task}}$ . Eventually, the overall loss function can be computed as

$$\mathcal{L} = \mathcal{L}_{\text{task}} + \alpha \mathcal{L}_{\text{low}} + \beta \mathcal{L}_{\text{high}}. \quad (8)$$

We empirically find that  $\alpha = \beta = 0.5$  will suffice in our evaluation. All the trainable modules of TRNet are jointly optimized by minimizing  $\mathcal{L}$ .

## 4. Experimental setup

### 4.1. Dataset description

IEMOCAP [23] is a well-benchmarked dataset for SER, which contains 5 sessions and each session is performed by one female and one male actor. In this research, we considered 4 dominant emotion categories: *angry*, *happy*, *neutral*, and *sad*. Following prior works, we merged the utterances labeled *excited* into the *happy* category, yielding 5531 speech samples.

To simulate noisy environments, we adopted another two noise datasets: ESC-50 [24] and MUSAN [25]. ESC-50 comprises 2000 5-second environmental recordings spanning 50 categories, including animal sounds, natural ambiences, urban noises, *etc.* MUSAN contains approximately 6 hours of noise recordings, encompassing mechanical (*e.g.*, dial tones, fax machine noises) and environmental noises (*e.g.*, thunder, rustling paper). We utilized all ESC-50 samples directly, while the noise recordings from MUSAN were segmented into 5-second intervals, resulting in a total of 3860 samples.

#### 4.2. Implementation details

The speech samples were resampled at 16 kHz, then the 80-dimensional LMFB features were extracted with 25 ms frame length and 10 ms frame shift. For parallel computing, the input features of the same minibatch were truncated or padded to a maximum length of 500 frames, and the batch size was set to 32. For the encoder of SER modules, the filter numbers of the convolutional layers were set as  $\{32, 64, 128, 256\}$ , with the kernel sizes of (5, 5) and the strides of (2, 2). An Adam optimizer with a learning rate of  $10^{-3}$  was adopted to optimize the model parameters. The models were trained for a maximum of 80 epochs.

#### 4.3. Evaluation settings

In this research, the clean speech dataset is denoted as IEM, while the datasets contaminated by ESC-50 and MUSAN are denoted as IEM-ESC and IEM-MUSAN, respectively. To ensure diverse noise exposure across the 5 sessions of IEMOCAP, noise samples were carefully selected to avoid originating from the same source recording. The speech samples were contaminated at 5 different SNRs (20 dB, 15 dB, 10 dB, 5 dB, and 0 dB) by random noise samples. The training data comprised IEM and IEM-ESC, while the testing data encompassed IEM, IEM-ESC, and IEM-MUSAN.

Following prior works, leave-one-speaker-out cross-validation (LOSO CV) was employed in the experiments, where 4 sessions were used for training, while utterances from the remaining two speakers were used for validating and testing, respectively. As for performance evaluation, we used the officially recommended metrics, namely unweighted average recall (UAR) and weighted average recall (WAR).

#### 4.4. Comparative models

To validate the effectiveness of our proposed method, we implemented three representative models as baselines: (1) Baseline-c: A basic SER model trained on IEM; (2) Baseline-n: A basic SER model trained on both IEM and IEM-ESC; (3) Baseline-e: An SER model cascaded with a frozen front-end SE module, trained on both IEM and IEM-ESC.

Additionally, two variant models of TRNet were configured for comparison: (1) TRNet w/o  $\mathcal{L}_{\text{low}}$ : A model originating from TRNet but excluding the low-level feature compensation, trained on both IEM and IEM-ESC; (2) TRNet w/o  $\mathcal{L}_{\text{high}}$ : A model originating from TRNet but excluding the high-level representation calibration, trained on both IEM and IEM-ESC.

Table 1: Performance comparison of different models. 3 random seeds were used to train each model and the averaged results are reported. IEM-ESC and IEM-MUSAN represent the averaged results at 5 different SNRs. The best results are highlighted in bold.

Methods	IEM		IEM-ESC		IEM-MUSAN	
	UAR(%)	WAR(%)	UAR(%)	WAR(%)	UAR(%)	WAR(%)
Baseline-c	56.77	54.79	45.61	43.62	44.47	42.75
Baseline-n	55.85	54.48	54.22	52.65	53.39	51.84
Baseline-e	55.72	54.28	53.40	52.02	53.63	52.08
TRNet	<b>57.49</b>	<b>55.55</b>	<b>55.24</b>	<b>53.23</b>	<b>55.60</b>	<b>53.55</b>
TRNet w/o $\mathcal{L}_{\text{low}}$	56.47	54.86	54.51	52.79	54.81	52.95
TRNet w/o $\mathcal{L}_{\text{high}}$	56.12	54.32	53.94	52.20	54.18	52.37

## 5. Results and analysis

### 5.1. Performance comparison

First, we perform the quantitative experiments to evaluate the model performance. According to the results shown in Table 1, we conclude the following observations:

(1) In comparison to Baseline-c, both Baseline-n and Baseline-e exhibit a notable enhancement in overall performance ranging from 7% to 9% across the two noisy environments. However, there is a performance decline of approximately 0.5% to 1% in the clean environment, indicating a trade-off where Baseline-n and Baseline-e prioritize robustness over performance in clean environments. Moreover, Baseline-n surpasses Baseline-e in the matched noisy environment (IEM-ESC), while it falls short of Baseline-e in the unmatched noisy environment (IEM-MUSAN), highlighting a better generalization of Baseline-e.

(2) The two variants of TRNet perform worse than the original TRNet in both clean and noisy environments, yet they consistently outperform Baseline-e. It can be concluded that both low-level feature compensation and high-level representation calibration are beneficial for coupling the SE and SER modules. Moreover, comparing the two variant models reveals that the gain from high-level representation calibration is more pronounced. Interestingly, TRNet can achieve even better performance than Baseline-c. This may be attributed to the effective prior knowledge provided by the pre-trained SER module.



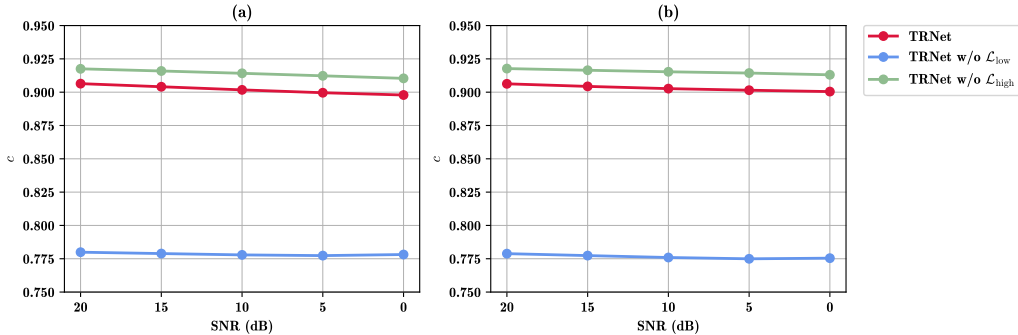


Figure 2: Estimated SNR coefficients in different noisy environments.

### 5.2. Effect of SNR estimation

In this section, we further investigate the role of the estimated  $c$  in TRNet and its two variant models. As illustrated in Figure 2, we conclude the following observations:

1. As expected,  $c$  decreases as SNR decreases, signifying an increase in the weights of enhanced signals. Moreover, similar trends are noted in both matched and unmatched noisy environments, showcasing TRNet’s capability to adapt to uncertain noise.
2. A comparison between the two variant models of TRNet unveils notable discrepancies in  $c$  for low-level feature compensation and high-level representation calibration. Particularly, the latter one seems to be less sensitive to the variation of  $c$ .

### 5.3. Visualization analysis

Figure 3 visualizes the distribution of deep emotion representations at different SNRs using t-SNE [26]. As shown in the first row, varying SNRs cause significant shifts in the distributional centers for Baseline-c. In contrast, Baseline-e mitigates this phenomenon to a certain extent, and TRNet further aligns the distributional centers at different SNRs. This suggests that TRNet can adeptly adjust the deep emotion representations in various noisy environments and approximate the representations in clean environments as closely as possible. In the second row of Figure 3, an evident increase in distance between the centers of diverse emotion categories can be observed for TRNet, which leads to a stronger emotional discrimination within the deep representations.

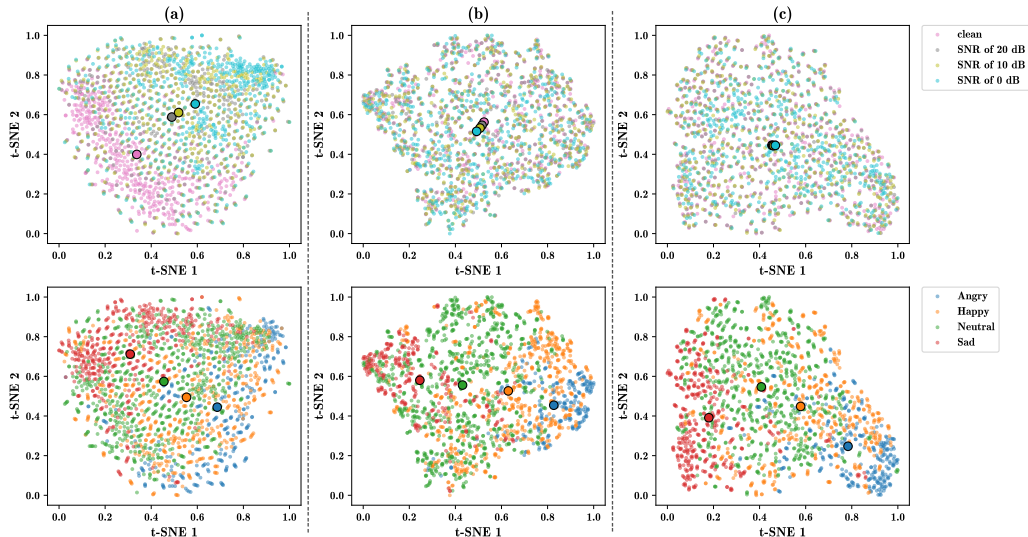


Figure 3: T-SNE visualization of deep emotion representations. 500 utterances were randomly selected and contaminated by the noise from ESC-50 at different SNRs (20 dB, 10 dB, and 0 dB). The smaller semi-transparent points represent specific samples, while the larger opaque ones correspond to centers of different distributions. (a) Baseline-c; (b) Baseline-e; (c) TRNet.

## 6. Conclusion

In this paper, we propose TRNet, a noise robust SER algorithm that leverages a pre-trained SE module for front-end noise reduction and noise level estimation. Based on the estimated SNR coefficient, low-level feature compensation and high-level representation calibration are performed, jointly enhancing the system’s robustness against uncertain environmental noise. Quantitative experimental results demonstrate that TRNet can achieve superior performance in both clean and noisy environments. We further validate the roles of SNR estimation and the characteristics of deep representations through ablation study and visualization analysis. In future work, we plan to extend the applicability of TRNet to more complex acoustic environments.

## Acknowledgement

This research was partially supported by the National Key Research and Development Program of China (No. 2021YFC3320103).

## References

- [1] Mehmet Berkehan Akçay, Kaya Oguz. Speech emotion recognition: Emotional models, databases, features, preprocessing methods, supporting modalities, and classifiers. *Speech Commun.* 2020; 116: 56-76.
- [2] Orhan Atila, Abdulkadir Şengür. Attention guided 3D CNN-LSTM model for accurate speech based emotion recognition. *Applied Acoustics* 2021; 182: 108260.
- [3] Chengxin Chen, Pengyuan Zhang. CTA-RNN: Channel and Temporal-wise Attention RNN leveraging Pre-trained ASR Embeddings for Speech Emotion Recognition. *INTERSPEECH 2022*: 4730-4734.
- [4] Guoyan Li, Junjie Hou, Yi Liu, Jianguo Wei. MPAF-CNN: Multiperspective aware and fine-grained fusion strategy for speech emotion recognition. *Applied Acoustics* 2023; 214: 109658.
- [5] Jiaxin Ye, Xin-Cheng Wen, Yujie Wei, Yong Xu, Kunhong Liu, Hongming Shan. Temporal Modeling Matters: A Novel Temporal Emotional Modeling Approach for Speech Emotion Recognition. *ICASSP 2023*: 1-5.
- [6] Björn Schuller, Dejan Arsić, Frank Wallhoff, Gerhard Rigoll. Emotion Recognition in the Noise Applying Large Acoustic Feature Sets. *Speech Prosody* 2006.
- [7] Alexandros Georgogiannis, Vassilis Digalakis. Speech Emotion Recognition using non-linear Teager energy based features in noisy environments. *EUSIPCO 2012*: 2045-2049.
- [8] Seong-Gyun Leem, Daniel Fulford, Jukka-Pekka Onnela, David Gard, Carlos Busso. Not All Features are Equal: Selection of Robust Features for Speech Emotion Recognition in Noisy Environments. *ICASSP 2022*: 6447-6451.
- [9] Egor Lakomkin, Mohammad-Ali Zamani, Cornelius Weber, Sven Magg, Stefan Wermter. On the Robustness of Speech Emotion Recognition for Human-Robot Interaction with Deep Neural Networks. *IROS 2018*: 854-860.

- [10] Upasana Tiwari, Meet H. Soni, Rupayan Chakraborty, Ashish Panda, Sunil Kumar Koppurapu. Multi-Conditioning and Data Augmentation Using Generative Noise Model for Speech Emotion Recognition in Noisy Conditions. ICASSP 2020: 7194-7198.
- [11] Andreas Triantafyllopoulos, Gil Keren, Johannes Wagner, Ingmar Steiner, Björn W. Schuller. Towards Robust Speech Emotion Recognition Using Deep Residual Networks for Speech Enhancement. INTERSPEECH 2019: 1691-1695.
- [12] Hengshun Zhou, Jun Du, Yanhui Tu, Chin-Hui Lee. Using Speech Enhancement Preprocessing for Speech Emotion Recognition in Realistic Noisy Conditions. INTERSPEECH 2020: 4098-4102.
- [13] Yu-Wen Chen, Julia Hirschberg, Yu Tsao. Noise robust speech emotion recognition with signal-to-noise ratio adapting speech enhancement. arXiv preprint 2023; arXiv:2309.01164.
- [14] Chandan K. A. Reddy, Harishchandra Dubey, Vishak Gopal, Ross Cutler, Sebastian Braun, Hannes Gamper, Robert Aichner, Sriram Srinivasan. ICASSP 2021 Deep Noise Suppression Challenge. ICASSP 2021: 6623-6627.
- [15] Keisuke Kinoshita, Tsubasa Ochiai, Marc Delcroix, Tomohiro Nakatani. Improving Noise Robust Automatic Speech Recognition with Single-Channel Time-Domain Enhancement Network. ICASSP 2020: 7009-7013.
- [16] Yanxin Hu, Yun Liu, Shubo Lv, Mengtao Xing, Shimin Zhang, Yihui Fu, Jian Wu, Bihong Zhang, Lei Xie. DCCRN: Deep Complex Convolution Recurrent Network for Phase-Aware Speech Enhancement. INTERSPEECH 2020: 2472-2476.
- [17] Feng Dang, Hangting Chen, Pengyuan Zhang. DPT-FSNet: Dual-Path Transformer Based Full-Band and Sub-Band Fusion Network for Speech Enhancement. ICASSP 2022: 6857-6861.
- [18] Ruizhe Cao, Sherif Abdulatif, Bin Yang. CMGAN: Conformer-based Metric GAN for Speech Enhancement. INTERSPEECH 2022: 936-940.

- [19] Yuma Koizumi, Shigeki Karita, Arun Narayanan, Sankaran Panchapagesan, Michiel Bacchiani. SNRi Target Training for Joint Speech Enhancement and Recognition. INTERSPEECH 2022: 1173-1177.
- [20] Chenda Li, Jing Shi, Wangyou Zhang, Aswin Shanmugam Subramanian, Xuankai Chang, Naoyuki Kamo, Moto Hira, Tomoki Hayashi, Christoph Bøddeker, Zhuo Chen, Shinji Watanabe. ESPnet-SE: End-To-End Speech Enhancement and Separation Toolkit Designed for ASR Integration. SLT 2021: 785-792.
- [21] Seyedmahdad Mirsamadi, Emad Barsoum, Cha Zhang. Automatic speech emotion recognition using recurrent neural networks with local attention. ICASSP 2017: 2227-2231.
- [22] Ethan Perez, Florian Strub, Harm de Vries, Vincent Dumoulin, Aaron C. Courville. FiLM: Visual Reasoning with a General Conditioning Layer. AAAI 2018: 3942-3951.
- [23] Carlos Busso, Murtaza Bulut, Chi-Chun Lee, Abe Kazemzadeh, Emily Mower, Samuel Kim, Jeannette N. Chang, Sungbok Lee, Shrikanth S. Narayanan. IEMOCAP: interactive emotional dyadic motion capture database. Lang. Resour. Evaluation 2008; 42(4): 335-359.
- [24] Karol J. Piczak. ESC: Dataset for Environmental Sound Classification. ACM Multimedia 2015: 1015-1018.
- [25] David Snyder, Guoguo Chen, Daniel Povey. MUSAN: A Music, Speech, and Noise Corpus. arXiv preprint 2015; arXiv:1510.08484.
- [26] Laurens Van der Maate, Geoffrey Hinton. Visualizing data using t-SNE. J. Mach. Learn. Res. 2008; 9(11).