

# EHR-Based Mobile and Web Platform for Chronic Disease Risk Prediction Using Large Language Multimodal Models

Chun-Chieh Liao<sup>†</sup>, Wei-Ting Kuo<sup>†</sup>, I-Hsuan Hu, Jun-En Ding, Feng Liu  
cliao9@stevens.edu  
Stevens Institute of Technology  
Hoboken, New Jersey, USA

Yen-Chen Shih  
bnn01615@gmail.com  
Northeastern University  
Seattle, Washington, USA

Fang-Ming Hung<sup>\*</sup>  
philip@mail.femh.org.tw  
Department of Surgical Intensive Care  
Unit, Far Eastern Memorial Hospital  
New Taipei City, Taiwan

## ABSTRACT

Traditional diagnosis of chronic diseases involves in-person consultations with physicians to identify the disease. However, there is a lack of research focused on predicting and developing application systems using clinical notes and blood test values. We collected five years of Electronic Health Records (EHRs) from Taiwan's hospital database between 2017 and 2021 as an AI database. Furthermore, we developed an EHR-based chronic disease prediction platform utilizing Large Language Multimodal Models (LLMMs), successfully integrating with frontend web and mobile applications for prediction. This prediction platform can also connect to the hospital's backend database, providing physicians with real-time risk assessment diagnostics. The demonstration link can be found at <https://www.youtube.com/watch?v=oqmL9DEDFgA>.

## CCS CONCEPTS

• **Applied computing** → **Health care information systems**; • **Computing methodologies** → *Artificial intelligence*; • **Software and its engineering** → Integrated and visual development environments;

## KEYWORDS

Electronic Health Records, Large Language Models, Chronic Disease Prediction System

## ACM Reference Format:

Chun-Chieh Liao<sup>†</sup>, Wei-Ting Kuo<sup>†</sup>, I-Hsuan Hu, Jun-En Ding, Feng Liu, Yen-Chen Shih, and Fang-Ming Hung<sup>\*</sup>. 2024. EHR-Based Mobile and Web Platform for Chronic Disease Risk Prediction Using Large Language Multimodal Models. In *Proceedings of Make sure to enter the correct conference title from your rights confirmation email (Conference acronym 'XX)*. ACM, New York, NY, USA, 5 pages. <https://doi.org/XXXXXXX.XXXXXXX>

<sup>†</sup> These authors contributed equally.

<sup>\*</sup> Corresponding Author.

Permission to make digital or hard copies of all or part of this work for personal or classroom use is granted without fee provided that copies are not made or distributed for profit or commercial advantage and that copies bear this notice and the full citation on the first page. Copyrights for components of this work owned by others than the author(s) must be honored. Abstracting with credit is permitted. To copy otherwise, or republish, to post on servers or to redistribute to lists, requires prior specific permission and/or a fee. Request permissions from [permissions@acm.org](mailto:permissions@acm.org).  
*Conference acronym 'XX, June 03–05, 2018, Woodstock, NY*

© 2024 Copyright held by the owner/author(s). Publication rights licensed to ACM.  
ACM ISBN 978-1-4503-XXXX-X/18/06...\$15.00  
<https://doi.org/XXXXXXX.XXXXXXX>

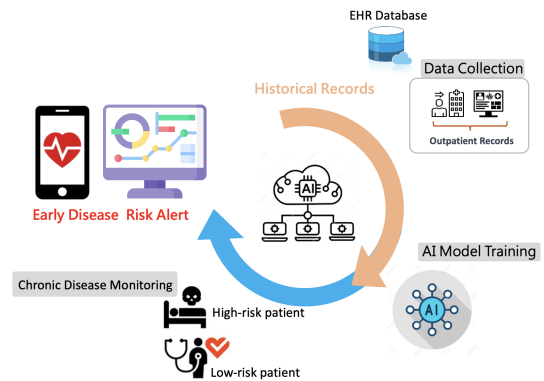


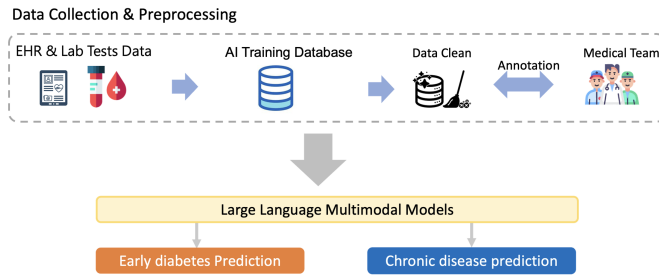
Figure 1: An overview of the AI-driven disease prediction and alert system.

## 1 INTRODUCTION

Chronic diseases such as diabetes, high blood pressure, and heart disease are all diseases of concern in many countries [2, 14]. These chronic diseases are also associated with a high incidence of mortality [4, 13]. Traditional diagnosis of chronic diseases involves in-person consultation with a physician to identify the disease. However, this will result in a significant waste of time and medical resources.

In the hospital diagnosis system, most patient records are stored in digital format using Electronic Health Records (EHRs), including patient clinical notes, blood test results, and pathology reports. Clinical notes are typically recorded in the database by doctors after they have seen the patient. Particularly, EHRs encompass multimodal data, including numerical values (e.g., blood test results) and categorical data (e.g., gender, age). In recent years, advancements in deep learning technology have significantly enhanced natural language processing (NLP), making it a primary focus in the research of disease classification within clinical notes. NLP techniques have demonstrated considerable potential in comprehending the contextual information embedded in medical domain sentences [9, 10].

In recent years, large language models have demonstrated remarkable performance in medical question answering and diagnosis, as well as in using NLP to predict various diseases [6, 15, 16]. For various unstructured data types, multimodal NLP has been increasingly applied to diagnose and classify diseases by integrating clinical notes and medical images with different domain features



**Figure 2: The workflow of building AI database and LLMs training and inference tasks.**

[1]. In the EHR data remote monitoring platform, a mobile system has been established for sharing lung and health data, allowing for the remote monitoring of patients' conditions [7]. However, there is a paucity of research focused on predicting and developing application systems using clinical notes and blood test values. In this study, we present several key contributions:

- (1) Utilizing large language multimodal models for predicting multiple chronic diseases using modality data.
- (2) Providing an interpretable early diabetes prediction platform.
- (3) Developing a multimodal health data prediction language model with real-time mobile and web-based data collection platforms.

## 2 DATA COLLECTION

In this study, we collected five-year EHRs from the Far Eastern Memorial Hospital (FEMH) Taiwan hospital database from 2017 to 2021, including 1,420,596 clinical notes, 387,392 laboratory results, and more than 1,505 laboratory test items. The database included clinical notes and laboratory results. The study was approved by the FEMH Research Ethics Review Committee (<https://www.femh-irb.org/>) and data has been de-identified. We first conducted data processing and physician annotation and established a comprehensive database integrated with the AI server system. Finally, we developed a complete architecture for the user interface (UI) and mobile end, as shown in Figure 1.

### 2.1 Large Language Multimodal Models

In our study, we utilized clinical notes and blood test data related to common chronic diseases such as diabetes, heart disease, and hypertension to conduct multimodal model training. Specifically, we employed widely used language models such as BERT [5], BiomedBERT [8], Flan-T5-large-770M [3], and GPT-2 [12] as a text feature extractor. Next, we integrate clinical notes from a single modality as input into LLMs to extract text feature embeddings and fuse them using an attention module for the final prediction task, as shown in Figure 2.

### 2.2 Multimodality and Data Fusion

For the blood test data, we build a Deep Neural Network (DNN) to obtain the blood presentation. To better integrate the two modalities, we utilized a multi-head attention layer to compute the attention

scores and matrices for the embeddings from both domains. Finally, fully connected layers were employed to predict multiple diseases.

## 2.3 Model Evaluation

To better evaluate the unimodal performance of LLMs. Table 1 shows that the performance of LLMs varies depending on the positive rate of different samples, including diabetes (20.4%), heart disease (22.57%), hypertension (3.3%). It is worth noting that when classifying certain specific diseases, especially those with a lower positive class, the performance of GPT-2 is not particularly well. In contrast, BiomedBERT with prior knowledge achieve a precision of 0.35 for hypertension. In contrast, in classes with higher positive rates, such as diabetes, the combination of LLMs's modality data with GPT-2 achieved a precision of 0.70, a recall of 0.71, and an F1 score of 0.70. For heart disease, GPT-2 showed a significant improvement, reaching a precision of 0.81, a recall of 0.85, and an F1 score of 0.83. Based on the experimental findings, we determined that applying distinct unimodal language models with DNN to various diseases within LLMs generate different impacts and achieved more stable and superior performance in multiclass prediction.

Disease type	Models	Metrics		
		Precision	Recall	F1
Hypertension (n=1,230)	BERT	0.35	0.32	0.33
	<b>BiomedBERT</b>	<b>0.35</b>	<b>0.29</b>	<b>0.32</b>
	Flan-T5-large-770M	0.29	0.16	0.20
	GPT-2	0.29	0.21	0.25
Heart disease (n=6,929)	BERT	0.71	0.76	0.52
	BiomedBERT	0.76	0.75	0.75
	Flan-T5-large-770M	0.70	0.78	0.74
	<b>GPT-2</b>	<b>0.81</b>	<b>0.85</b>	<b>0.83</b>
Diabetes (n=7,208)	BERT	0.66	0.58	0.62
	BiomedBERT	0.63	0.72	0.67
	Flan-T5-large-770M	0.65	0.64	0.64
	<b>GPT-2</b>	<b>0.70</b>	<b>0.71</b>	<b>0.70</b>

**Table 1: Evaluation of LLMs with various unimodal language models as backbones and laboratory values for classifying multiple diseases.**

## 3 SYSTEM DESIGN

### 3.1 Patient Query System

The overall system design is depicted in Figure 3. Our web application boasts a React-built frontend hosted on AWS EC2 and deployed using Docker containers. The user interface consists of five distinct pages: 1. Login portal, 2. Patient record management, 3. Chronic disease prediction, 4. Potential chronic disease risk alert, and 5. Early diabetes prediction.

The back end of our system includes three components. The primary component utilizes the Django MVC framework, which is deployed on AWS with Docker. This segment manages all API requests from the front end and defines the schema for the PostgreSQL database, which is hosted on a separate virtual machine. Additionally, serverless endpoints are established for necessary LLM computations.

During patient data entry, the front end transmits it to the Django server. The back end takes charge, utilizing an API to forward

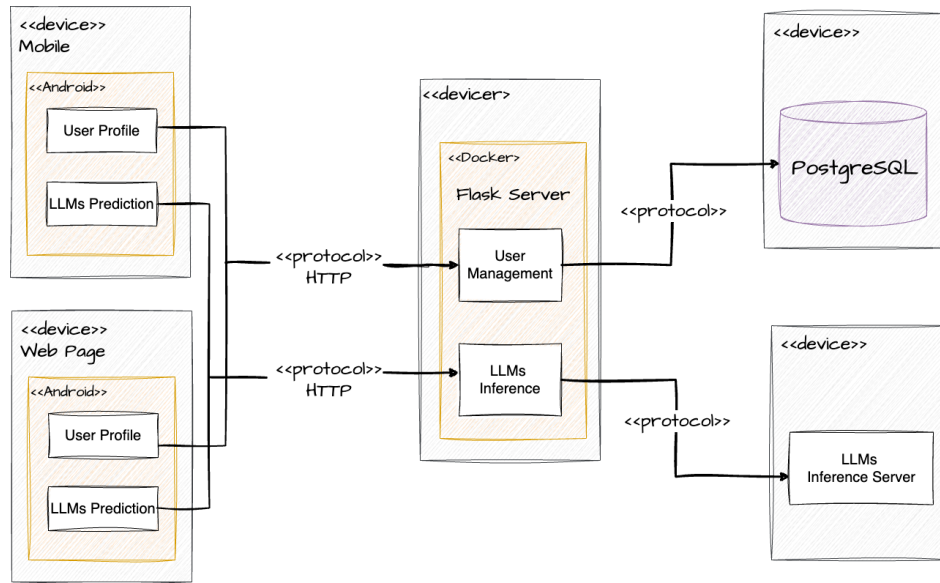


Figure 3: The system design architecture that mobile and web apps interact with a Flask server for user management and LLMs inference, communicating with a PostgreSQL database and an LLMs inference server.

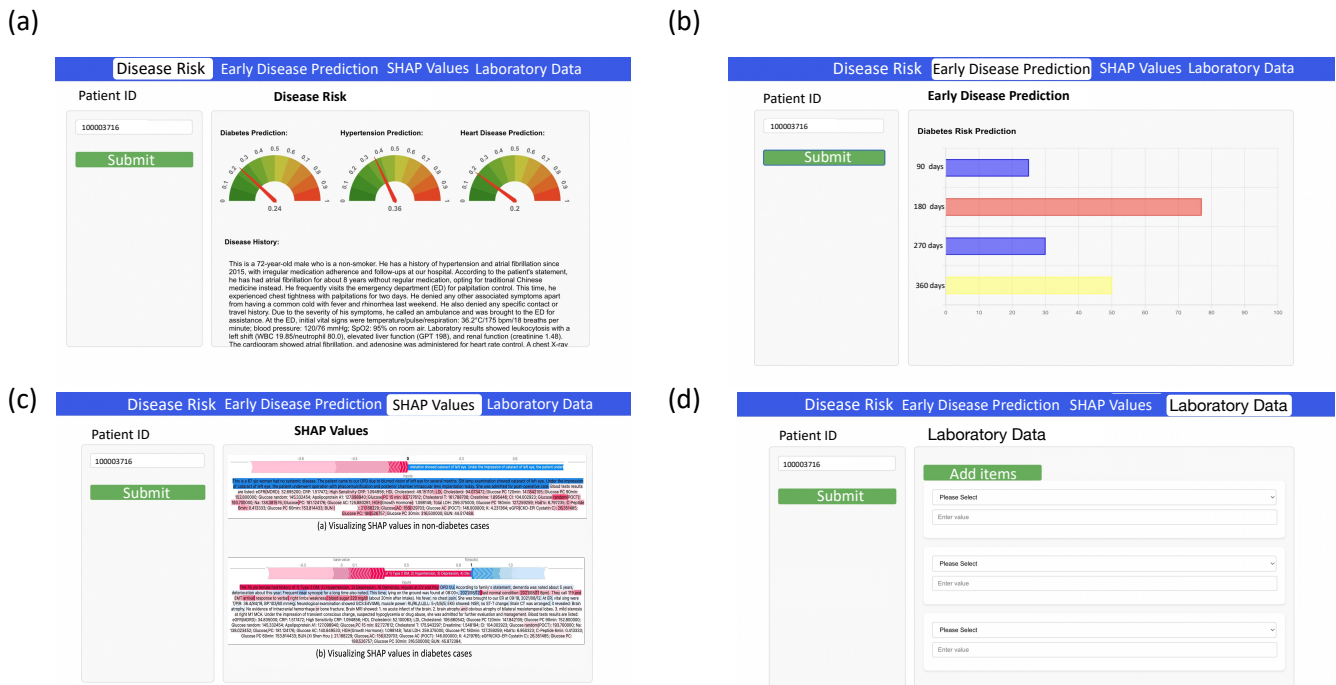


Figure 4: The interface of the medical diagnostic Web system

the data to the LLMMs endpoint for processing asynchronously. Simultaneously, the back-end organizes and uploads the data to the database server. Once processing is complete, the back-end retrieves the processed data from the LLMMs endpoint and stores

it in the database. When the front end requests specific patient predictions, the back end fetches the processed data in real-time and delivers it back to the user interface.

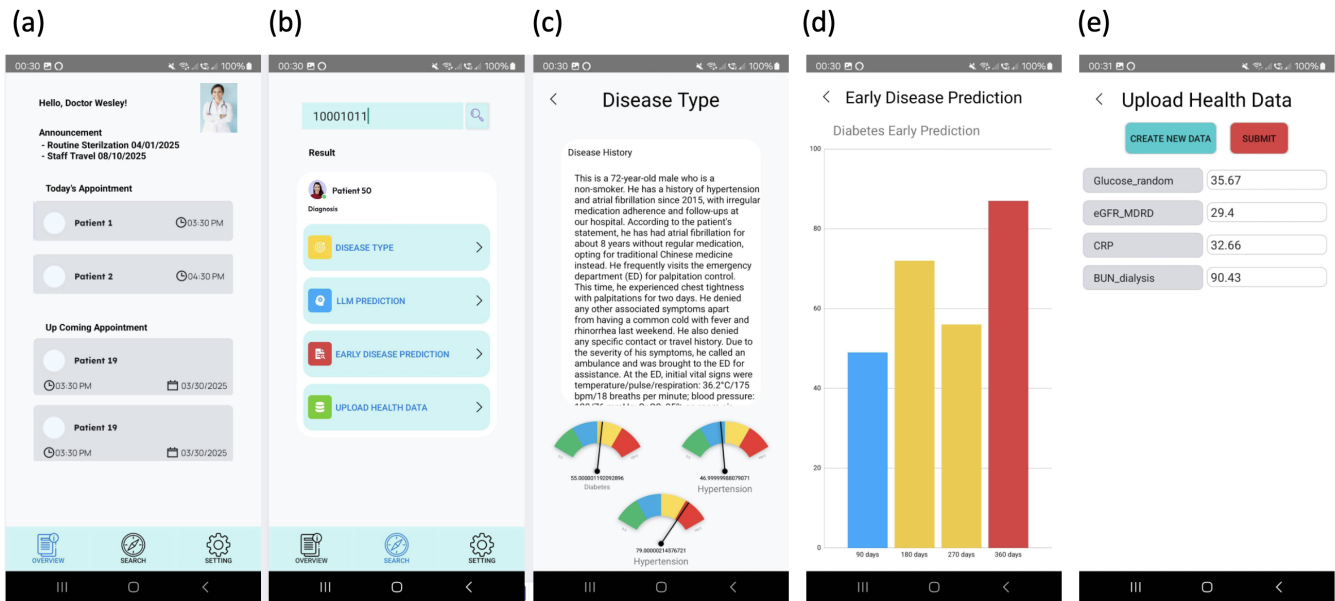


Figure 5: The real-time medical appointment and diagnosis mobile platform.

In addition to developing a web-based front-end, we also created a six-page Android application. The mobile application includes five user interface pages and one patient list page. This patient list page enables physicians to directly access and select patients for whom they have previously entered data. We will further describe our platform details in subsection 3.2.

## 3.2 Demonstration

**3.2.1 Medical Diagnostic Web Platform.** In our chronic disease prediction platform, we demonstrate a web interface that can retrieve historical EHRs of three diseases based on the patient ID from PostgreSQL. The retrieved data can be synchronized and sent to the backend, where trained LLMs return the risk probabilities for three disease risks to the frontend UI interface, as shown in Figure 4 (a).

**3.2.2 New-Onset Diabetes Prediction System.** To address the clinically early diabetes risk, we designed the platform to return predictions of early diabetes risk according to different new-onset disease days from LLMs to the front. As shown in Figure 4 (b), for diabetes prediction, we provide early risk predictions for 90, 180, 270, and 360 days. To better visualize risk in web interface, we created a bar chart that shows the probabilities of diabetes occurrence at different periods based on the EHRs of a single patient with diabetes.

**3.2.3 Explainable EHR Risk Assessment.** Specifically, our LLMs framework can effectively use Shapley Additive exPlanations (SHAP) values [11] to highlight the risk levels in clinical notes as shown in Figure 4 (c). The SHAP was developed from game theory and generate Shapley values for explaining the importance of features. We first pre-train the LLMs to focus on word position during encoding, enabling the calculation of attention scores. Subsequently, we utilize SHAP values to analyze the combined corpus of clinical

notes and textual laboratory data. This visualization tool helps us understand the individual contributions of words within the corpus. By highlighting each word’s positive or negative influence on predicting specific clinical terms from the LLMs output, SHAP values enhance the model’s clinical interpretability.

Finally, as illustrated in Figure 4 (d) of our presented web interface, we designed a allowing physicians to freely upload patients’ blood test items of health records and send them back to the server. Our model can then perform modality predictions based on the same patient’s record.

**3.2.4 Mobile Platform.** In this work, we designed a flexible mobile patient query system platform that can synchronize with the server and update with the backend server. As shown in Figure 5 (a), the mobile interface provides doctors with a list of patients’ appointments throughout the day. Subsequently, in Figure 5 (b), historical clinical notes can be retrieved in real time using the patient ID for LLMs inference. Figures 5 (c) and (d) demonstrate the real-time of predictions with the web interface. Additionally, Figure 5 (e) also shows how real-time blood test data can be submitted to the mobile app. This data is then synchronized with the web interface and used to update the database.

## 4 CONCLUSION

In this paper, we propose a medical diagnosis system platform that integrates multimodal data into LLMs with Flask and PostgreSQL. This allows us to update patient EHR information more effectively on web and mobile platforms in real time to implement a chronic disease alert system. Furthermore, our system in the future can also provide users and clinicians with an interactive platform and disease prevention effects.

## REFERENCES

- [1] Noa Cahan, Eyal Klang, Edith M Marom, Shelly Soffer, Yiftach Barash, Evyatar Burshtein, Eli Konen, and Hayit Greenspan. 2023. Multimodal fusion models for pulmonary embolism mortality prediction. *Scientific Reports* 13, 1 (2023), 7544.
- [2] Nicholas WS Chew, Cheng Han Ng, Darren Jun Hao Tan, Gwyneth Kong, Chaoxing Lin, Yip Han Chin, Wen Hui Lim, Daniel Q Huang, Jingxuan Quek, Clarissa Elysia Fu, et al. 2023. The global burden of metabolic disease: Data from 2000 to 2019. *Cell Metabolism* 35, 3 (2023), 414–428.
- [3] Hyung Won Chung, Le Hou, Shayne Longpre, Barret Zoph, Yi Tay, William Fedus, Yunxuan Li, Xuezhi Wang, Mostafa Dehghani, Siddhartha Brahma, et al. 2022. Scaling instruction-finetuned language models. *arXiv preprint arXiv:2210.11416* (2022).
- [4] Global Cardiovascular Risk Consortium. 2023. Global effect of modifiable risk factors on cardiovascular disease and mortality. *New England Journal of Medicine* 389, 14 (2023), 1273–1285.
- [5] Jacob Devlin, Ming-Wei Chang, Kenton Lee, and Kristina Toutanova. 2018. Bert: Pre-training of deep bidirectional transformers for language understanding. *arXiv preprint arXiv:1810.04805* (2018).
- [6] Jun-En Ding, Phan Nguyen Minh Thao, Wen-Chih Peng, Jian-Zhe Wang, Chun-Cheng Chug, Min-Chen Hsieh, Yun-Chien Tseng, Ling Chen, Dongsheng Luo, Chi-Te Wang, et al. 2024. Large Language Multimodal Models for 5-Year Chronic Disease Cohort Prediction Using EHR Data. *arXiv preprint arXiv:2403.04785* (2024).
- [7] Nicholas Genes, Samantha Violante, Christine Cetrangol, Linda Rogers, Eric E Schadt, and Yu-Feng Yvonne Chan. 2018. From smartphone to EHR: a case report on integrating patient-generated health data. *NPJ digital medicine* 1, 1 (2018), 23.
- [8] Yu Gu, Robert Timn, Hao Cheng, Michael Lucas, Naoto Usuyama, Xiaodong Liu, Tristan Naumann, Jianfeng Gao, and Hoifung Poon. 2021. Domain-specific language model pretraining for biomedical natural language processing. *ACM Transactions on Computing for Healthcare (HEALTH)* 3, 1 (2021), 1–23.
- [9] Lavender Yao Jiang, Xujin Chris Liu, Nima Pour Nejatian, Mustafa Nasir-Moin, Duo Wang, Anas Abidin, Kevin Eaton, Howard Antony Riina, Ilya Laufer, Paawan Punjabi, et al. 2023. Health system-scale language models are all-purpose prediction engines. *Nature* 619, 7969 (2023), 357–362.
- [10] Robert Y Lee, Erin K Kross, Janaki Torrence, Kevin S Li, James Sibley, Trevor Cohen, William B Lober, Ruth A Engelberg, and J Randall Curtis. 2023. Assessment of natural language processing of electronic health records to measure goals-of-care discussions as a clinical trial outcome. *JAMA Network Open* 6, 3 (2023), e231204–e231204.
- [11] Scott M Lundberg and Su-In Lee. 2017. A unified approach to interpreting model predictions. *Advances in neural information processing systems* 30 (2017).
- [12] Alec Radford, Jeffrey Wu, Rewon Child, David Luan, Dario Amodei, Ilya Sutskever, et al. 2019. Language models are unsupervised multitask learners. *OpenAI blog* 1, 8 (2019), 9.
- [13] Sabrina Schlesinger, Manuela Neuenschwander, Janett Barbaresco, Alexander Lang, Haifa Maalmi, Wolfgang Rathmann, Michael Roden, and Christian Herder. 2022. Prediabetes and risk of mortality, diabetes-related complications and comorbidities: umbrella review of meta-analyses of prospective studies. *Diabetologia* (2022), 1–11.
- [14] World Health Organization (WHO). 2020. *The top 10 causes of death*. WHO. <https://www.who.int/news-room/fact-sheets/detail/the-top-10-causes-of-death>
- [15] Xi Yang, Aokun Chen, Nima PourNejatian, Hoo Chang Shin, Kaleb E Smith, Christopher Parisien, Colin Compas, Cheryl Martin, Anthony B Costa, Mona G Flores, et al. 2022. A large language model for electronic health records. *NPJ digital medicine* 5, 1 (2022), 194.
- [16] Wayne Xin Zhao, Kun Zhou, Junyi Li, Tianyi Tang, Xiaolei Wang, Yupeng Hou, Yingqian Min, Beichen Zhang, Junjie Zhang, Zican Dong, Yifan Du, Chen Yang, Yushuo Chen, Z. Chen, Jinhao Jiang, Ruiyang Ren, Yifan Li, Xinyu Tang, Zikang Liu, Peiyu Liu, Jianyun Nie, and Ji rong Wen. 2023. A Survey of Large Language Models. *ArXiv abs/2303.18223* (2023), 124 pages. <https://api.semanticscholar.org/CorpusID:257900969>

Received 20 February 2024; revised 12 March 2024; accepted 5 June 2024